

PM300PS Probe Station


This guide contains information to help prepare your facility for the arrival of your PM300PS probe station. For the corresponding thermal system requirements, refer to the ATT Thermal System for PA300PS: A300- and C300-Series Facility Planning Guide.




NOTE

Facility requirements for thermal systems are listed separately. See the Facility Planning Guide specific to your thermal system for details.

Probe Station Requirements

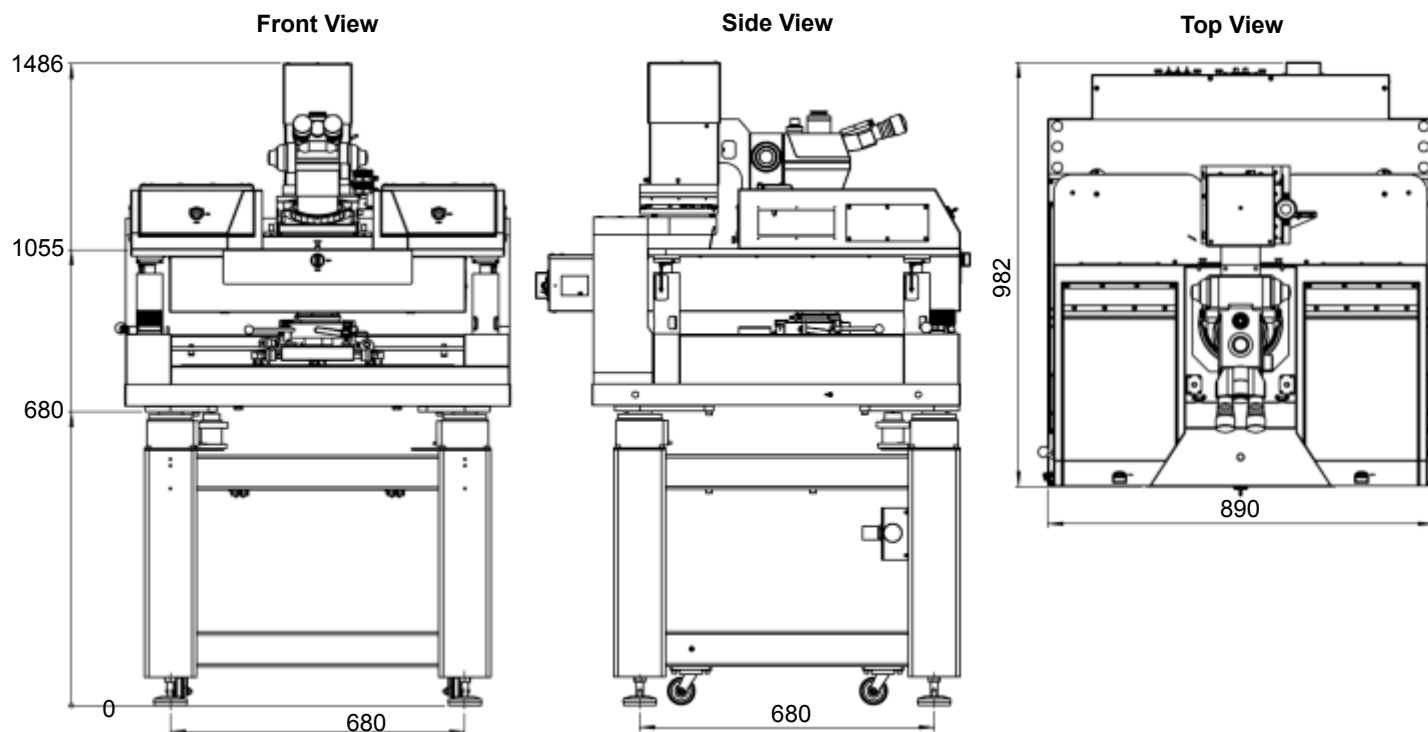
Air and Vacuum	Vacuum	<ul style="list-style-type: none"> • Less than 200 mbar absolute • Flow rate insignificant • 8 mm (5/16-inch) hose (6 mm and 1/4-inch adapters included)
	Compressed air for Vibration Isolation Table	<ul style="list-style-type: none"> • Filtered, dry and oil-free • Minimum 4 bar to 8 bar maximum • Flow rate insignificant • 8 mm (5/16-inch) hose (6 mm and 1/4-inch adapters included)
	Clean Dry Air (CDA) for use with ATT Thermal System	<ul style="list-style-type: none"> • Compressed air 6 bar minimum to 10 bar maximum • Air flow maximum 180 liters/min at SATP • Dew point temperature: <ul style="list-style-type: none"> – A300 -10°C system = ≤ -20°C – C300 -40°C system = ≤ -50°C – C300 -60°C system = ≤ -70°C • 8 mm hose
		<p> WARNING</p> <p><i>FormFactor does not endorse or recommend using nitrogen instead of CDA for thermal system operation with any FormFactor system due to the risk of oxygen depletion in the working environment.</i></p> <p><i>If your testing configuration requires the use of nitrogen instead of CDA for MicroChamber or shielded environment purge, time in Quick Purge mode should be controlled. Discuss your setup with your safety and facilities departments to ensure that the oxygen flow in your working environment is adequate to dissipate any nitrogen build up. The use of oxygen sensor alarms is also recommended.</i></p>
Power	Station	<ul style="list-style-type: none"> • 100–240 V AC nominal, 50/60 Hz, 120 VA • Accessories: additional power consumption depending on accessories
	Protection class	<ul style="list-style-type: none"> • I (IEC 61140)
	Transient overvoltage	<ul style="list-style-type: none"> • Overvoltage category II (IEC 60364-4-443)
	Main connector - North America	The station has an integrated socket strip with grounded mains plug 15A/115V; UL-498, CSA.
	Main connector - Europe	<ul style="list-style-type: none"> • Grounded mains plug 10A/250V; CEE-7/VII / DIN 49441
	Availability	Contact a FormFactor representative if these power line receptacles are not available in your facility.
	Facility power line fuse for main connector	Ensure that a 10A lead fuse is available in your facility power line where the main connector is plugged in.

PM300PS Probe Station

Environmental Conditions	Humidity	<ul style="list-style-type: none"> • Tool area: 25% to 60% • Support equipment area: 25% to 60% 									
	Temperature	<ul style="list-style-type: none"> • Operating range: 19° C to 24° C • Target temperature: 22°C 									
		 NOTE Keep electronics rack side ventilators and air expellers clear for air circulation.									
	Pollution level	<ul style="list-style-type: none"> • 1 (IEC 60664) 									
	Clean room class	<ul style="list-style-type: none"> • Class 6 corresponding to DIN EN ISO 14644-1 									
	Tolerance	<ul style="list-style-type: none"> • 1K 									
	Vibrations	The facility should be free of vibrations caused by other equipment.									
Optional Components	For information on optional components, refer to the specific data sheet for that item.										
Dimensions (WxDxH)	Station + Accessories	<ul style="list-style-type: none"> • 900 mm x 980 mm x 1550 mm (W x D x H) with microscope in lowered position • Additional height added by optional accessories such as cameras and laser cutters can add up to a maximum of 900 mm. 									
	Additional Clearance	<table> <tr> <td>Front</td> <td> <ul style="list-style-type: none"> • 800 mm </td> </tr> <tr> <td>Back</td> <td> <ul style="list-style-type: none"> • 200 mm for cables • 800 mm during installation or service </td> </tr> <tr> <td>Left</td> <td> <ul style="list-style-type: none"> • 200 mm for cables • 800 mm during installation or service </td> </tr> <tr> <td>Right</td> <td> <ul style="list-style-type: none"> • 200 mm for cables • 800 mm during installation or service </td> </tr> <tr> <td>Top</td> <td> <ul style="list-style-type: none"> • 900 mm </td> </tr> </table> <p>Depending on your system configuration, the thermal system controller may require an additional table. Additional room may also be required for thermal system cooling units.</p>	Front	<ul style="list-style-type: none"> • 800 mm 	Back	<ul style="list-style-type: none"> • 200 mm for cables • 800 mm during installation or service 	Left	<ul style="list-style-type: none"> • 200 mm for cables • 800 mm during installation or service 	Right	<ul style="list-style-type: none"> • 200 mm for cables • 800 mm during installation or service 	Top
Front	<ul style="list-style-type: none"> • 800 mm 										
Back	<ul style="list-style-type: none"> • 200 mm for cables • 800 mm during installation or service 										
Left	<ul style="list-style-type: none"> • 200 mm for cables • 800 mm during installation or service 										
Right	<ul style="list-style-type: none"> • 200 mm for cables • 800 mm during installation or service 										
Top	<ul style="list-style-type: none"> • 900 mm 										
Weight	Station (incl. VIT)	<ul style="list-style-type: none"> • 520 kg 									
Shipping Dimensions and Weight (approx. values)	Probe station box	<ul style="list-style-type: none"> • 1250 mm x 1250 mm x 1200 mm • Gross weight: 450 kg 									
	Accessories, incl. VIT	<ul style="list-style-type: none"> • 1020 mm x 1020 mm x 1120 mm • Gross weight: approx. 280 kg 									

PM300PS Probe Station

Dimensions



© Copyright 2018 FormFactor, Inc. All rights reserved. No part of this document may be reproduced, transmitted or displayed in any form or by any means except as duly authorized by FormFactor, Inc. FormFactor and the FormFactor logo are trademarks of FormFactor, Inc. All other trademarks are the property of their respective owners.

Important Notice

While the information contained herein is believed to be accurate as of the date hereof, no express or implied representations or warranties are made with respect to its accuracy or completeness. FormFactor, Inc., and its subsidiaries disclaim liability for any inaccuracies or omissions. All information is subject to change without notice.

Users are required to read and follow carefully all safety, compliance and use instructions. Users assume all loss and liability arising from the use of products in any manner not expressly authorized. The conditions and methods of use of products and information referred to herein are the entire responsibility of the user and, to the maximum extent permitted by applicable law, FormFactor, Inc., and its subsidiaries shall not be liable for any damages, losses, costs or expenses arising out of, or related to, the use thereof.

No license, express or implied, by estoppel or otherwise, under any intellectual property right is granted in connection herewith. Users shall take all actions required to avoid intellectual property infringement.

Corporate Headquarters

7005 Southfront Road
Livermore, CA 94551
Phone: 925-290-4000
www.formfactor.com

