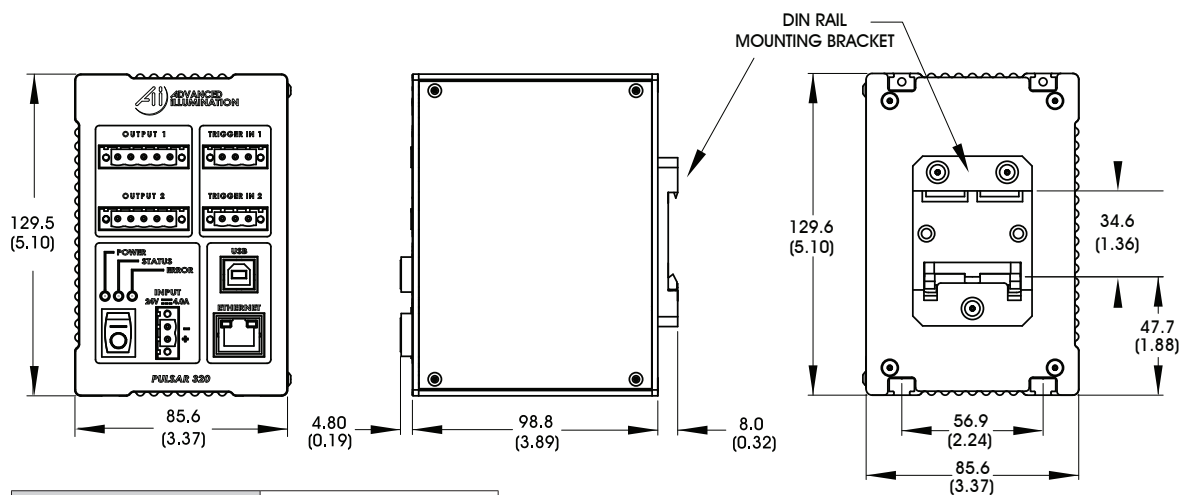


Product Highlights

- Compact, high power pulse (strobe only) current source
- Controlled locally w/PC and USB2, or remotely with built-in Ethernet interface
- 50A per output; 100A total output
- For pulse widths down to 1 μ sec (1 μ sec resolution)
- Capable of overdriving currents 10-30x in strobe mode



Mechanical Specifications



Dimensions in millimeters (in)

Length mm (in)	98.8 (3.89)
Width mm (in)	85.6 (3.37)
Height mm (in)	129.5 (5.10)
Weight g (lbs)	741.2g (1.63lbs)
Operating Temp.	-25 to 57°C
Compliance	CE, RoHS

Electrical Specifications

Input Voltage Range	12-36 VDC (24V nom. @ 4Amps Continuous) (brown out protected)
Output Power	50A per output, 100A total output 100VDC per output
Max Repetition Rate	2000 Hz

Pulsar 320

Part Number Key

Model	Controller
Pulsar	XXX
Pulsar	320



Lights for use with the Pulsar 320 need to be ordered with C5 connector.

Stock Product: *shipped next day*
Pulsar320

Additional Information

This is **flextech™** enabled with the following software:

SignaTech®

The proprietary SignaTech® (**Signature Technology**) control system allows an LED illuminator to operate at maximum output without risk of damage.

A microprocessor-based controller reads a SignaTech® memory chip, specifically programmed for each illuminator, in order to establish maximum operating parameters. The memory chip, located in the light-head cable, is preprogrammed with details about the illuminator's circuit design as well as specific LED characteristics.

Warranty Information

Every Advanced illumination, Inc. (Ai) product is thoroughly inspected and tested before leaving the factory. Products are warranted to be free of defects in workmanship and materials for a period of two years from the original date of purchase. Should a defect develop during this period, please contact Ai Customer Service or your Ai distributor for a Return Merchandise Authorization (RMA), and return the complete product, freight prepaid, to Ai. If a defect is found, Ai will - at our discretion - repair or replace the product without charge. Ai claims no liability for any implied warranties, including "merchantability" and "fitness for a specific purpose."

Electromagnetic Compatibility

This product was tested and complies with the regulatory requirements and limits for electromagnetic compatibility (EMC) as stated in the product specifications. These requirements and limits are designed to provide reasonable protection against harmful interference only when the product is operated in its intended industrial electromagnetic environment. To minimize the potential for electromagnetic interference or unacceptable performance degradation, install and use this product in strict accordance with the instructions in the product documentation.

Customer Service

For information on existing orders, or to make an order adjustment, contact us Monday through Friday 8:00 am to 5:00 pm ET or send an email to orders@advill.com.

Company Information

Advanced Illumination

440 State Garage Road, Rochester VT. 05767

Phone: 802.767.3830

Fax: 802.767.3831

Email: info@advancedillumination.com

Web: advancedillumination.com

© 2015 Advanced Illumination Inc. All rights reserved