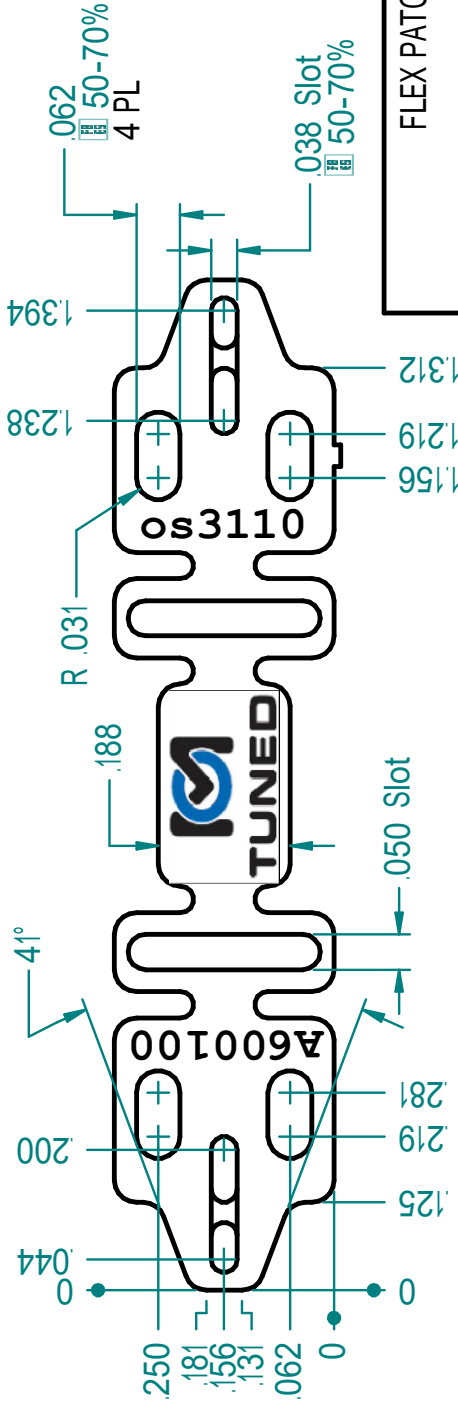
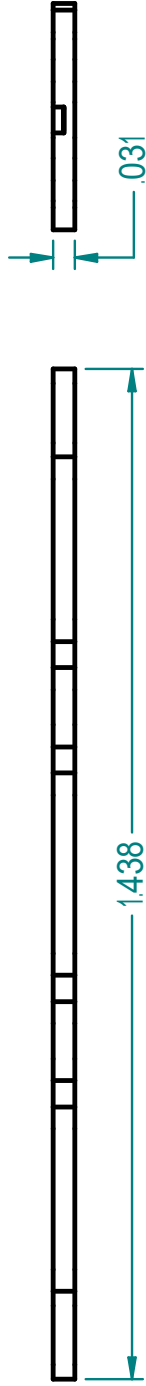
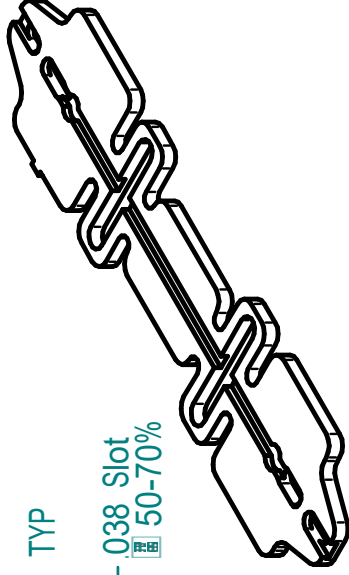
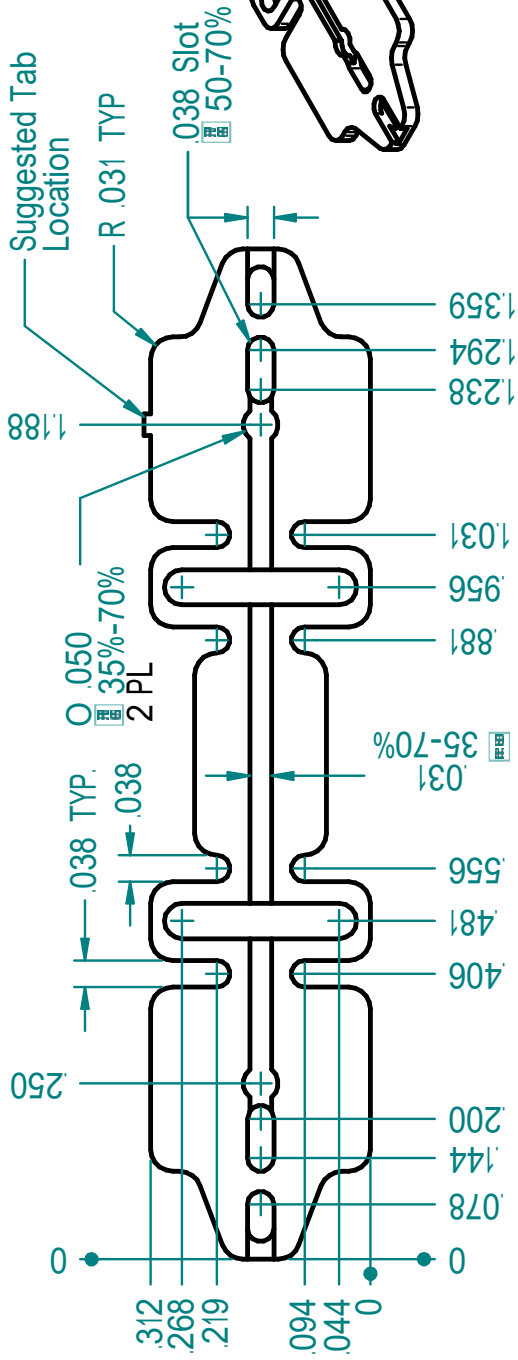


ISSUE NO. DATE



FLEX PATCH (os3110 Weld)

GENERAL TOLERANCES:
 3 PLACE DECIMAL +/- .004
 2 PLACE DECIMAL +/- .010
 UNLESS OTHERWISE SPECIFIED, BREAK ANGULAR DIM. +/- 1
 ALL SHARP EDGES 0.05/0.10 X .45

THIS ENGLISH DRAWING HAS BEEN PREPARED IN ACCORDANCE WITH ANSI Y46.5M - 1982 DIMENSIONS SHOWN IN BRACKETS [] ARE MILLIMETERS AND FOR REFERENCE

DESIGNED BY	SKF	FINAL APPROVAL	SIZE	A	SHEET NO.	1
DRAWN BY	SKF				DRAWING NO.	

MATERIAL: 302 Stainless Steel
 TEMPER: Full Hard



MICRON OPTICS, INC.