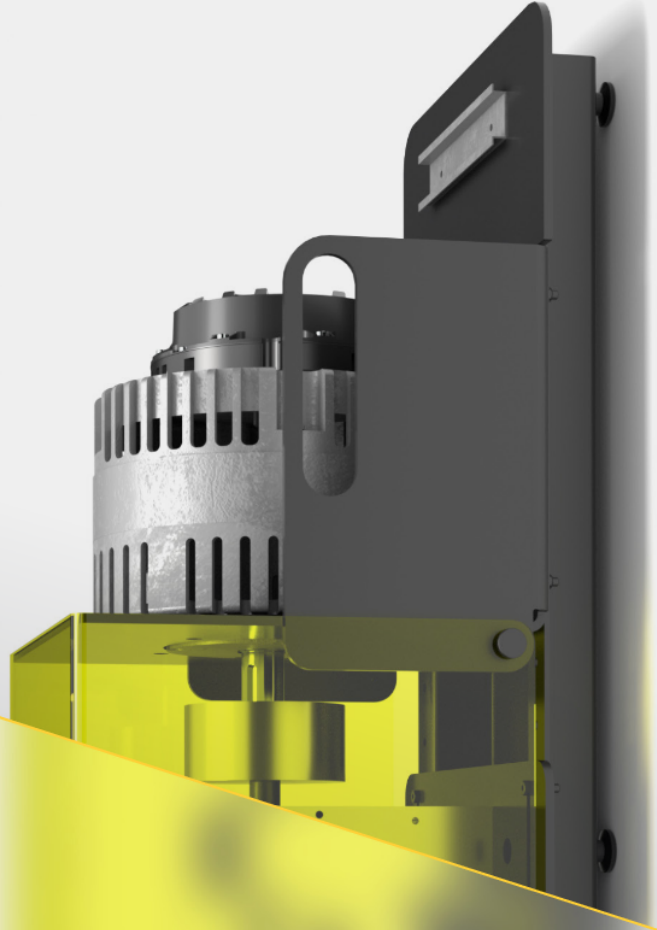


# **FRIWO E-Mobility**

B2B - Testbench Brochure



**FRIWO**

# Description

## **Lab setup consisting of:**

- 2x 5kW PMISM
- 2x Emerge 6000
- Peripherals
- Optional: HBM Torque sensor

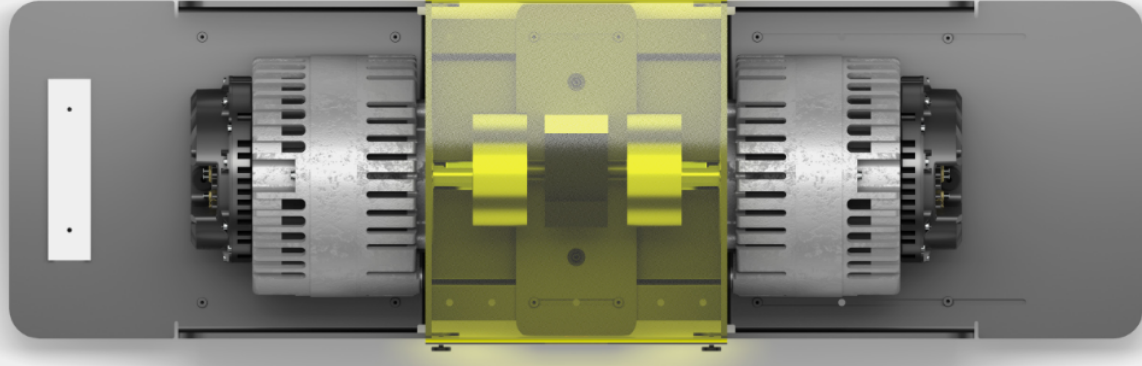
## **Enable Tool Application to perform real-time finetuning & calibration.**

- Live monitoring of all essential variables
- Precise measurement of the Torque Curve via CAN
- Recuperation enables lower energy consumption compared to mechanical brakes
- Real-time monitoring and calibration of firmware parameters through Enable Tool Application

## **Simulation of realistic driving manoeuvres through 4-Quadrant torque/speed profiles.**

## **Two ways of input supply:**

- Stationary via bidirectional DC power supply
- Autonomous operation with FRIWO Battery Pack



## Benefits

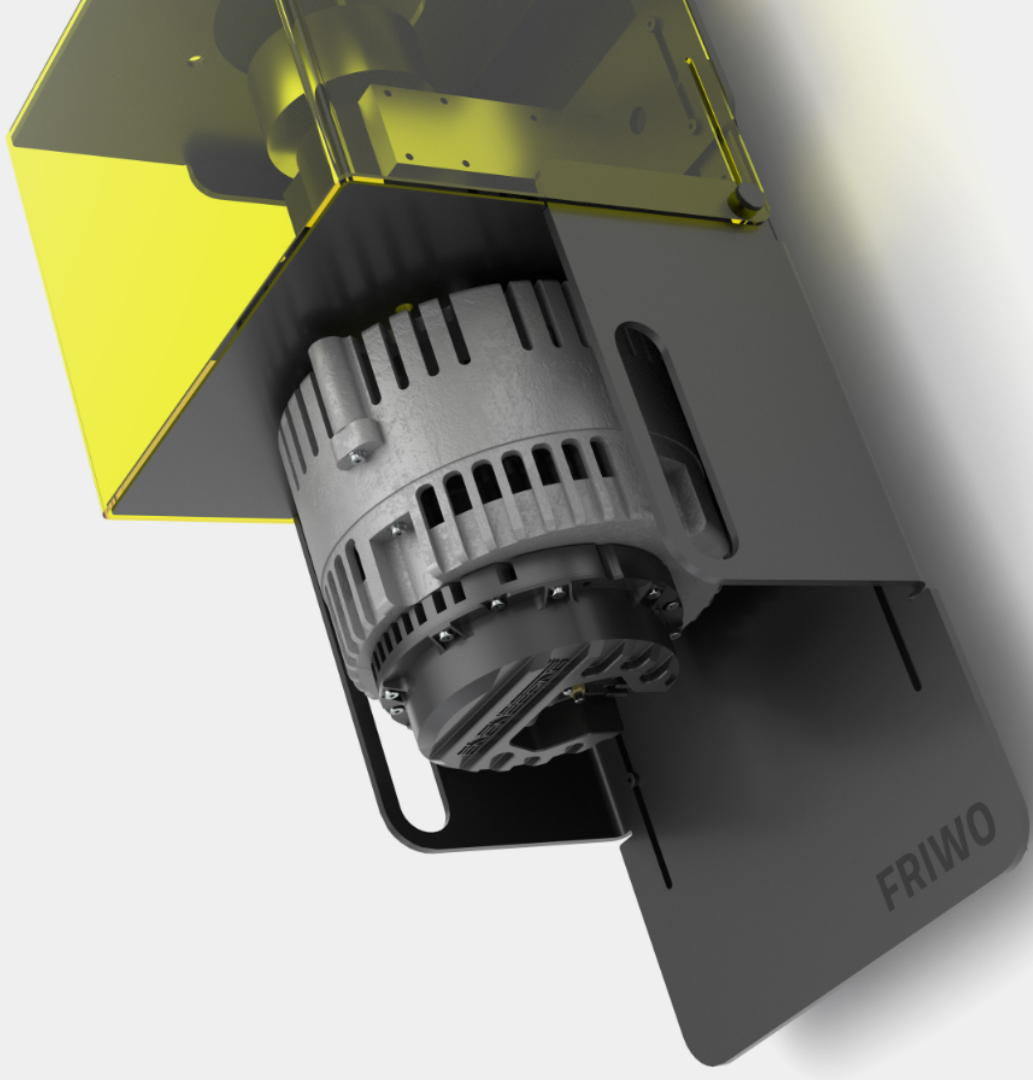
**01** *Massively reduce time to market of new powertrain soft- and hardware components through Rapid Control Prototyping.*

**02** *Create education labs demonstrating next-generation developers the newest technology in a tangible way.*

**03** *Compact setup with flexible configuration possibilities to adapt own components quickly.*

**04** *Extend the setup by battery packs to build up a complete powertrain system and monitor energy flow.*

**05** *Optionally add a torque sensor to get mechanical output power in high precision.*



**FRIWO**

# Parts

**2x 5kW Motors**  
**2x MCU**

**Clutch**  
Removeable

**Hood / Canopy**

**Adapter plate**  
Optional, for the use of different motors

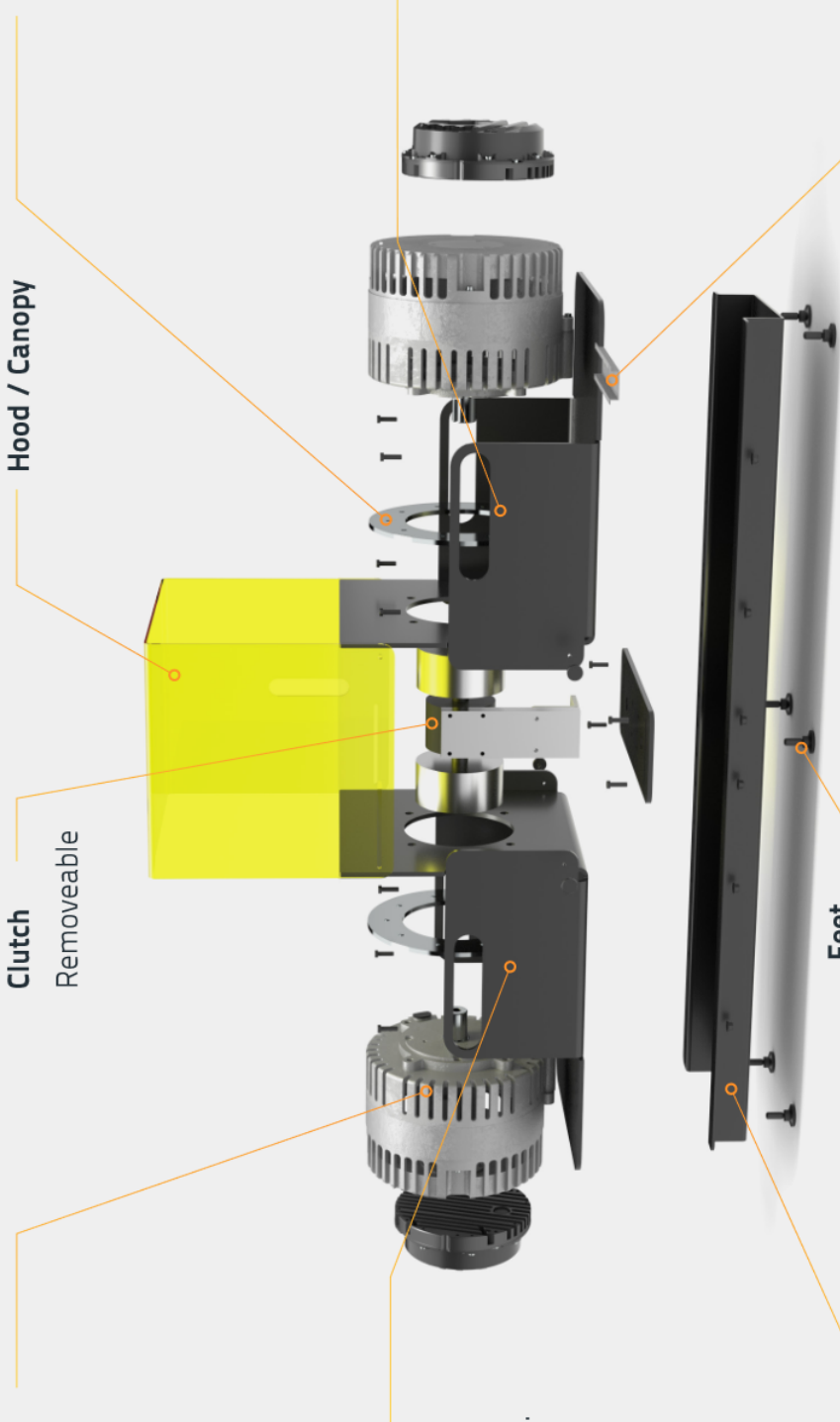
**Left Part**  
Continuously adjustable on longitudinal axis.

**Right Part**  
Fixed Position

**Frame**  
Integrated cable channel

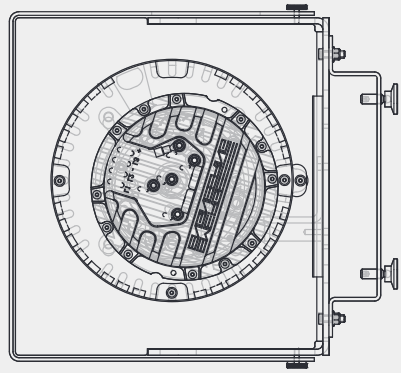
**Feet**  
Adjustable in height

**Hat rail**

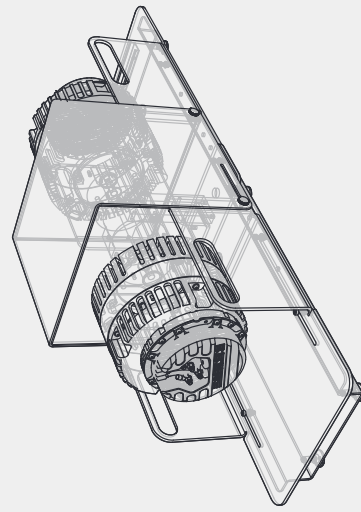
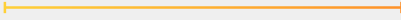


**FRIWO**

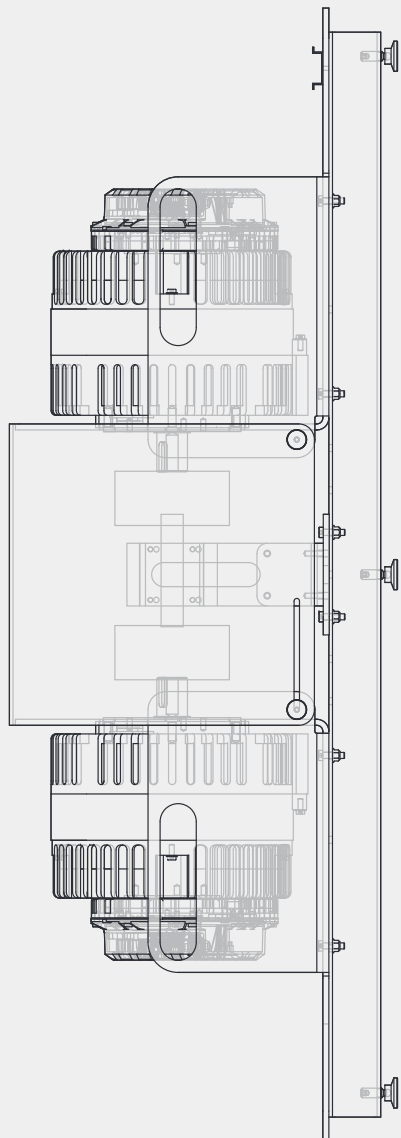
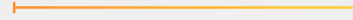
# Dimensions



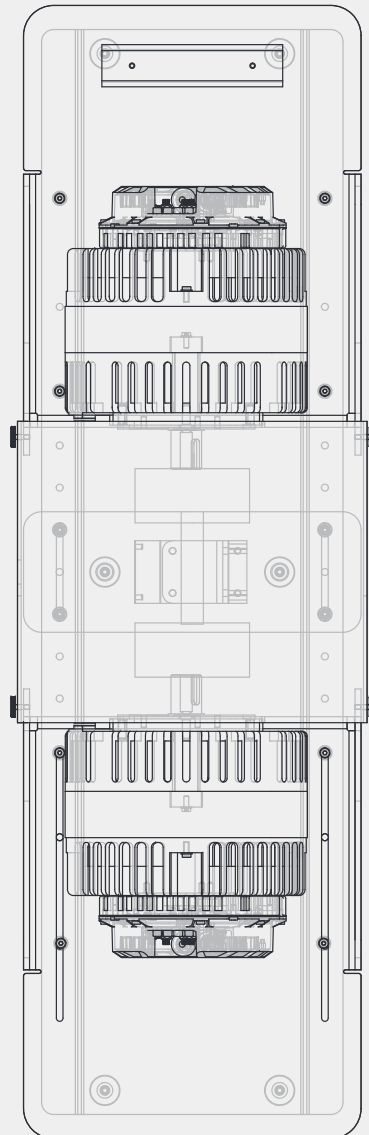
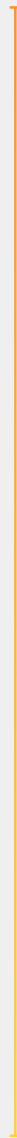
322 mm



300 mm



940 mm



# FRIWO