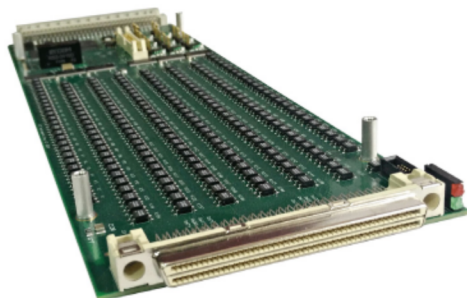




DATA SHEET



EX1200-3824

8 (1X24) SOLID STATE, 100V/100MA
MULTIPLEXER

OVERVIEW

8 Banks of 1x24 One-Wire Multiplexers

Solid State Relays for Maximum Switching Speed
and Virtually Infinite Life

Capable of Switching High Voltage Signals Up to
100 V Peak

User Configurable 10:1 Attenuator Option Enables
Direct Connections to 10 V Digitizers

Up to 48 1x24 One-Wire Channels in 1U Full Rack
Mainframe

Front Panel Mountable Break-Out-Box for Easy Wiring

APPLICATIONS

Automotive ECU test

Avionics Test

Health Monitoring



www.vtiinstruments.com

Specifications contained within this document are subject to change without notice

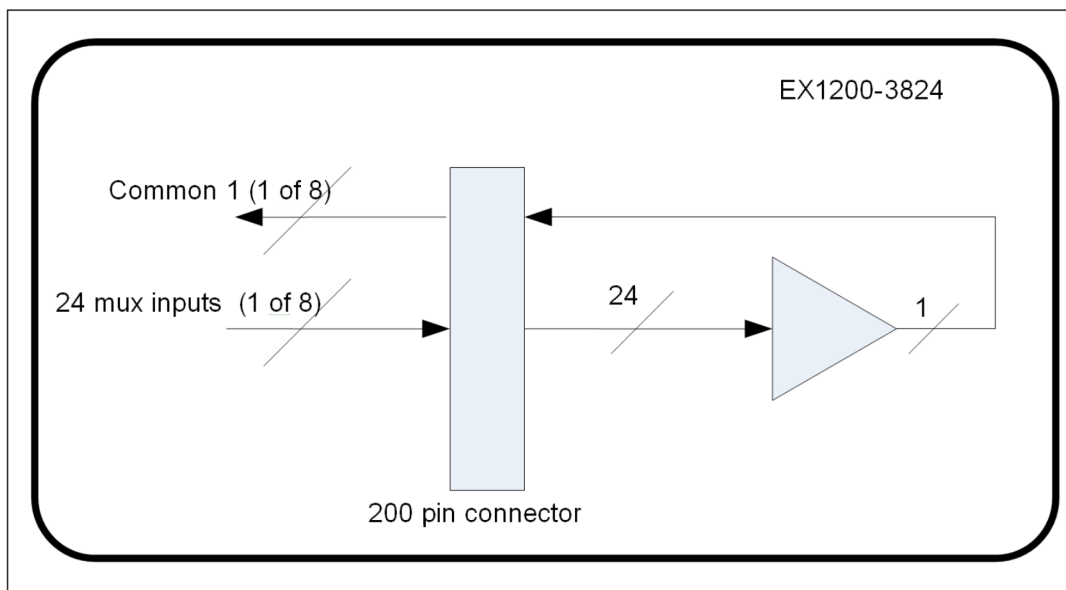
RELIABLE DATA FIRST TIME EVERY TIME

PRODUCT OVERVIEW

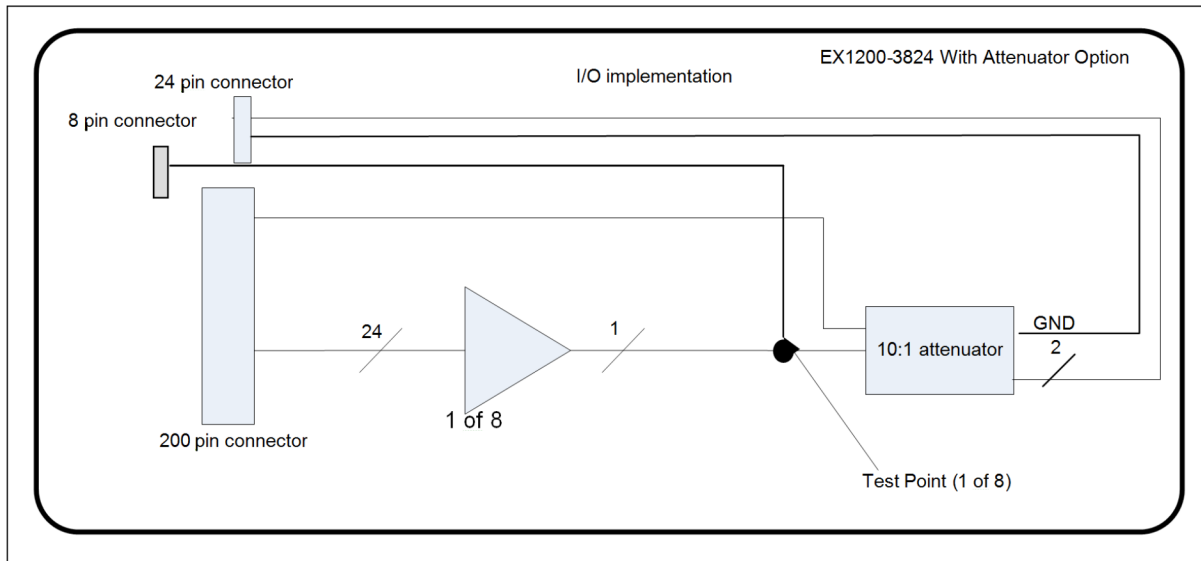
The EX1200-3824 is a high speed multiplexer designed to provide flexible switching multiplexing architecture with 8 banks of 1 x 24 one-wire multiplexers. Up to 48 1 x 24 one-wire channels can be accommodated in a 1U EX1200 full rack mainframe for maximum density, or mixed and matched with other EX1200 plug-ins for flexibility. The solid-state design delivers extremely fast switching speed and near infinite life.

The EX1200-3824 may be used in applications in which its inputs are connected to DUT capable of producing signals that approach 100 V, with its commons being connected to high-speed measurement devices. When measurement devices are limited to 10 V input ranges, the EX1200-3824 offers the option of an on-board 10:1 attenuator to eliminate the need for external circuitry while ensuring maximum signal integrity.

The EX1200-3824 can be controlled programmatically using IviSwch-compliant calls. Both path level programming and individual relay control are available to simplify integration into test systems. On-board configuration relays are available to connect the individual banks together, providing the system designer with the flexibility to create test programs utilizing discrete 1 x 24s or configurations as large as 1 x 192 without external wiring.



EX1200-3824 Standard Board IO Implementation



EX1200-3824 with Attenuator Option Board IO Implementation

EX1200-3824 Specifications

NUMBER OF CHANNELS	8 (1X24) one-wire multiplexers
RELAY TYPE	Solid state
MAXIMUM SWITCHING VOLTAGE	70V DC 100V AC
MAXIMUM SWITCHING CURRENT	100mA
SWITCHING TIME	<500 uS
PATH RESISTANCE	<6 Ohms
CROSS TALK (TYPICAL)	
100KHZ	<-65 dB
1MHZ	<-62 dB
10MHZ	<-33 dB
INSERTION LOSS (-3DB)	10 MHz

EX1200-3824 with Attenuator Option Specifications

NUMBER OF CHANNELS	8 (1x24) one-wire multiplexers
RELAY TYPE	Solid state
MAXIMUM SWITCHING VOLTAGE	70 V DC 100 V AC
MAXIMUM SWITCHING CURRENT	100 mA
SWITCHING TIME	<500 uS
FREQUENCY RESPONSE -CUTOFF	
10KHZ	-3dB
400KHZ	-3dB
FREQUENCY RESPONSE -FLATNESS	
10KHZ	0.5dB
100KHZ	0.5dB
CMRR -400KHZ	-40dB
DC OFFSET	0.5mV