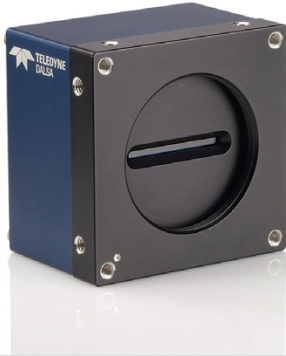


Piranha4 Polarization

2K Polarization Line Scan Camera



Making the Invisible Visible

The industry's first line scan polarization camera

The Piranha4 Polarization™ camera is a breakthrough in the machine vision industry. This high-speed polarization camera features three native polarization states plus an unfiltered channel.

The Piranha4 polarization camera extends detection capability in machine vision and is ideal for detecting stresses, surface roughness, film thickness, alloy composition, and 3D profiles.

Specifications

Resolution	2048 x 4 pixels
Line Rate	70 kHz, maximum
Pixel Size	14.08 μm x 14.08 μm
Sensor Format	0° (s), 90° (p), 135° and unfiltered
Data Format	8, 10, or 12 bits, selectable
Output	Base, Medium, Full and Deca Camera Link
Lens Mount	M42 x 1, F-mount adapter available
Responsivity	See graph
Dynamic Range	> 60 dB
Nominal Gain Range	1x to 10x
Size	62 mm x 62 mm x 47.87 mm
Mass	< 340 g
Operating Temp	0 °C to +65 °C (front plate)
Power	+12 V to +24 V DC, Hirose 6-pin male
Power Dissipation	8 W
Control & Data	2 x SDR-26 mini Camera Link
Regulatory Compliance	CE, FCC, and RoHS
Part Number	P4-CP-02K07Q-00-R

Features

- Three native polarization states plus an unfiltered channel
- High speed: up to 70 kHz
- Bi-directional
- Compact camera body
- Sub-pixel spatial correction
- Horizontal Parallax Correction

Programmability

- Multiple regions of interest and areas of interest for calibration and data reduction
- 8, 10, or 12 bit output
- Flat field and lens shading correction
- 8 programmable coefficient sets
- GenICam or ASCII compliant interfacing

Typical Applications

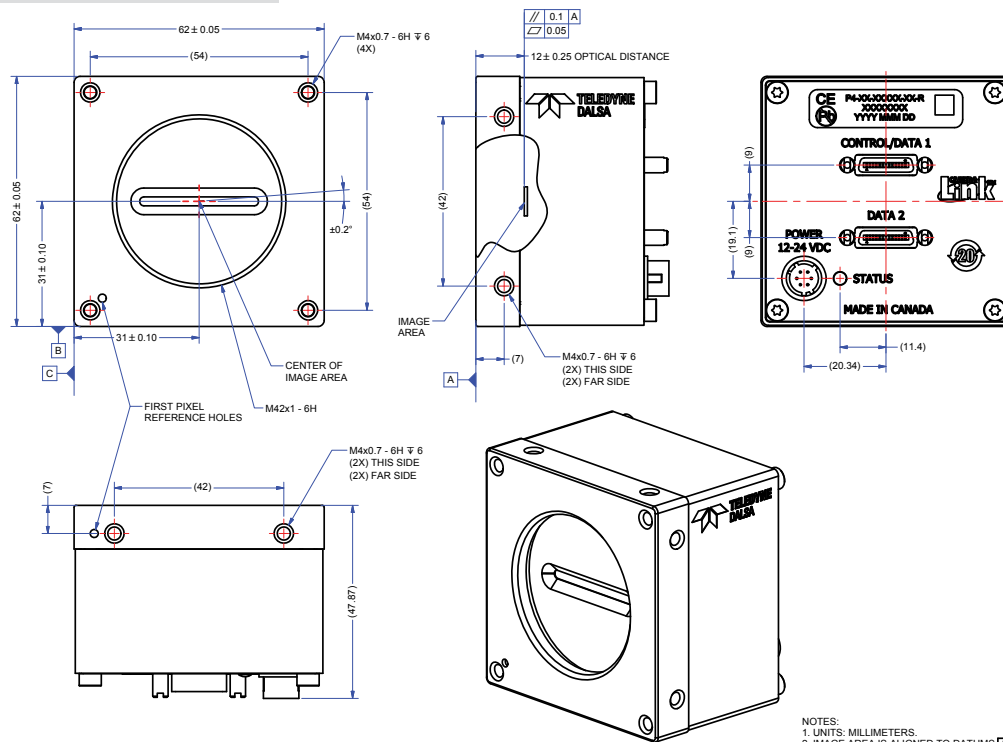
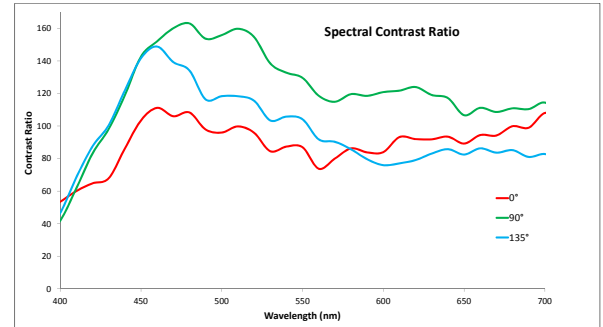
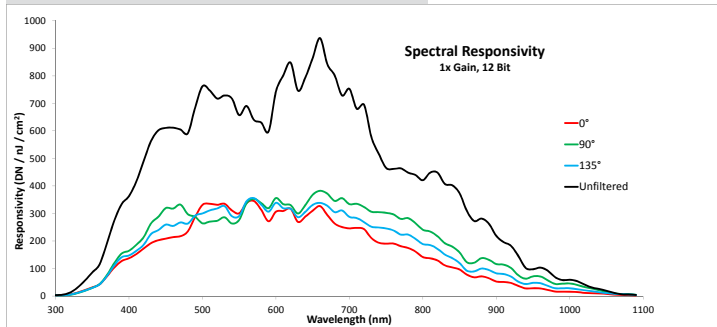
- Glass inspection
- FPD
- Wafer inspection
- Electronics inspection
- Materials grading systems
- Medical imaging
- Food sorting
- Remote sensing
- General purpose machine vision

Models

Part Number	Resolution	Maximum Line Rates	Pixel Size
P4-CP-02K07Q-00-R	2048 x 4	70 kHz	14.08 μm x 14.08 μm

Piranha4 Polarization

2K Polarization Line Scan Camera



www.teledynedalsa.com

Americas

Boston, USA
+1 978-670-2000
sales.americas@teledynedalsa.com

Europe

Krailling, Germany
+49 89-89-54-57-3-80
sales.europe@teledynedalsa.com

Asia Pacific

Tokyo, Japan
+81 3-5960-6353
sales.asia@teledynedalsa.com

Shanghai, China
+86 21-3368-0027

sales.asia@teledynedalsa.com

Teledyne DALSA has its corporate offices in Waterloo, Canada
Teledyne DALSA reserves the right to make changes at any time without notice. Teledyne DALSA © 2017.
Revision number 03-070-20080-01. Revision date July 21, 2017.

