

# LINEA™ HS2

Ultra High-Speed TDI Cameras



## KEY FEATURES

- 1 MHz max line rate
- 65dB dynamic range
- Onchip 2x binning
- Mono/HDR/HFW
- Multi-arrays TDI
- Dual CLHS CX4 AOC output

## TYPICAL APPLICATIONS

- Semiconductor wafer inspection
- Electronics & high density packaging
- Flat Panel Display
- Genomics and life sciences
- Web inspection
- General machine vision

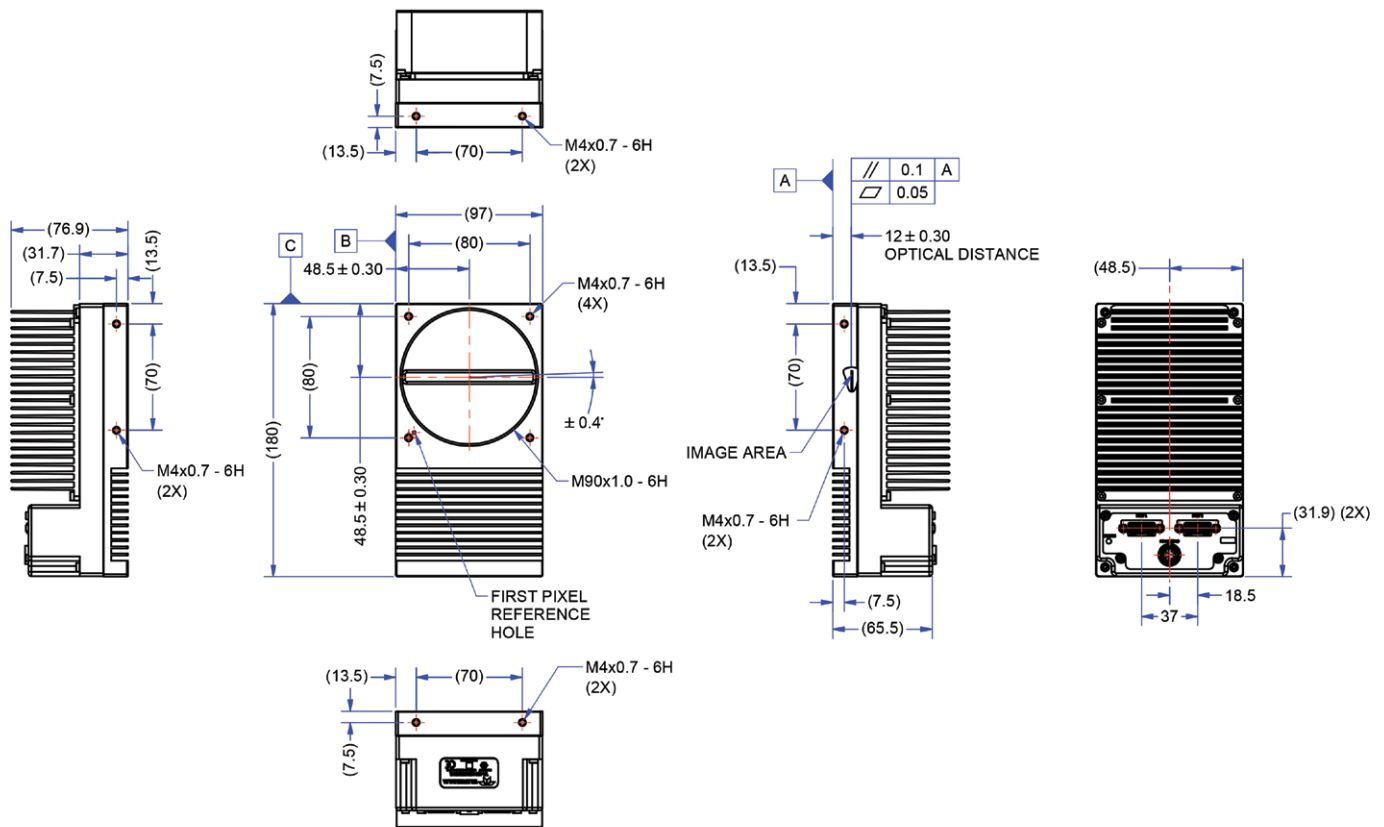
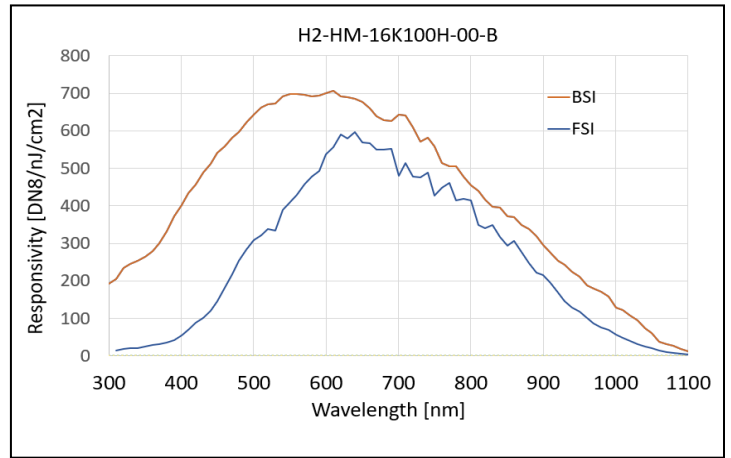
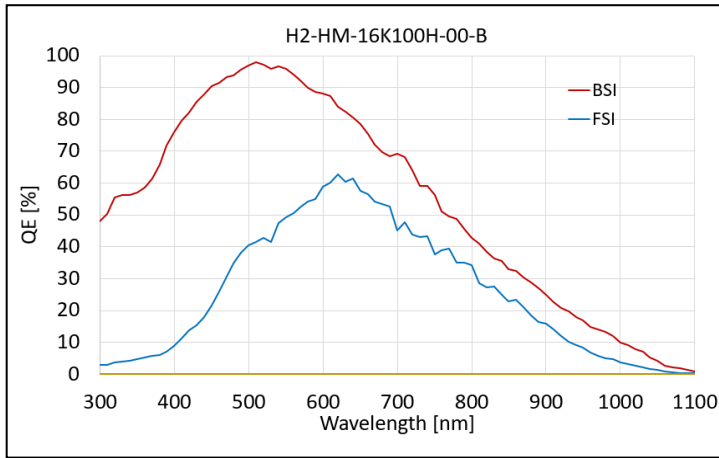
## Industry's First 16K 1MHz TDI Camera

Teledyne DALSA's new Linea HS2 camera represents another breakthrough in next generation TDI technology. Designed for ultra high speed imaging in light starved condition, this camera offers superior image quality with 16k resolution at a max line rate 1MHz. It has dual CLHS data interface that achieves 16GB/s data throughput with field-proven reliability in high-speed data transmission.

## SPECIFICATIONS

Model	H2-HM-16k100H-00-B
Resolution (pixels)	16, 384 x (128+128+32)
Maximum Line Rate (kHz)	1000
Pixel Size (µm)	5 x 5
Data Format (bit)	8 or 10
QE (peak)%	95
Dynamic Range (dB)	65
Full Well (ke-)	30
Read Noise (e-)	20
Output mode	Mono/HDR/HFW
Gain range	1x, 2x, 4x (analogue) 1x ~ 10x (digital)
Power Dissipation (W)	56
Operating Temp (°C)	0 ~ 50 frontplate
Camera Size (mm)	97 (W) x 180 (H) x 76.9 (D)
Camera Weight (kg)	1.48
Lens Mount	M90x1
Data Interface	Dual CLHS CX4
GPIO	Direction and independent line control
Power	+24 VDC, Hirose 12 pin
Regulatory compliant	CE, FCC, KC and RoHS

**SPECIFICATIONS**



**FOR MORE INFORMATION CONTACT:**

AMERICAS Boston, USA | +1 978-670-2000 | TDI\_sales.americas@teledynedalsa.com  
 EUROPE Krailling, Germany | +49 89-89-54-57-3-80 | TDI\_sales.europe@teledynedalsa.com  
 ASIA PACIFIC Tokyo, Japan | +81 3-5960-6353 | TDI\_sales.asia@teledynedalsa.com  
 Shanghai, China | +86 21-3368-0027 | TDI\_sales.asia@teledynedalsa.com

This document does not contain information whose export/transfer/disclosure is restricted by the Canadian Export Control regulation. Teledyne DALSA has its corporate offices in Waterloo, Canada. Teledyne DALSA reserves the right to make changes at any time without notice. © Teledyne DALSA.

Revision Number: 03-070-2501600  
 Revision Date: 2024 11 19