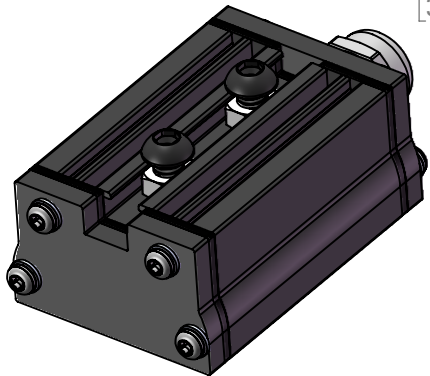
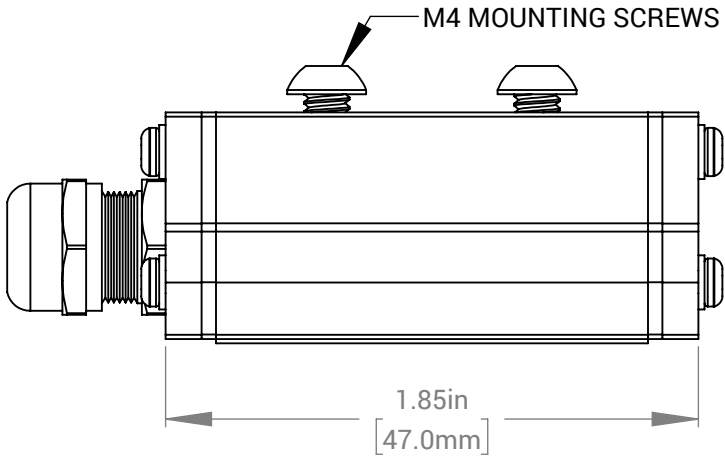
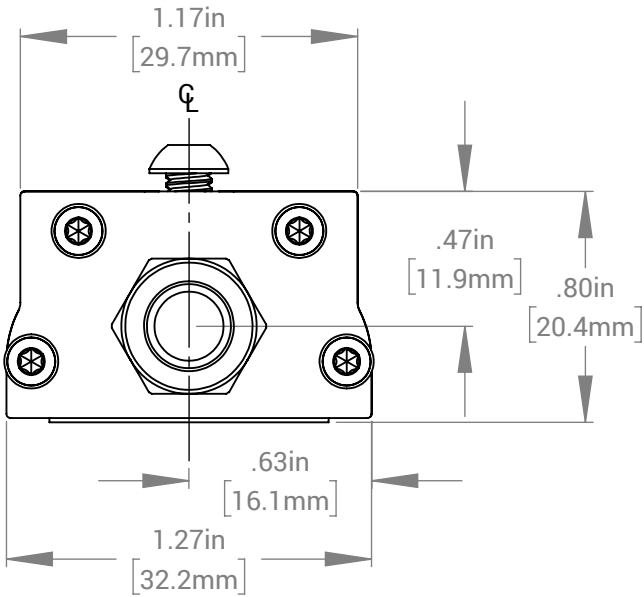
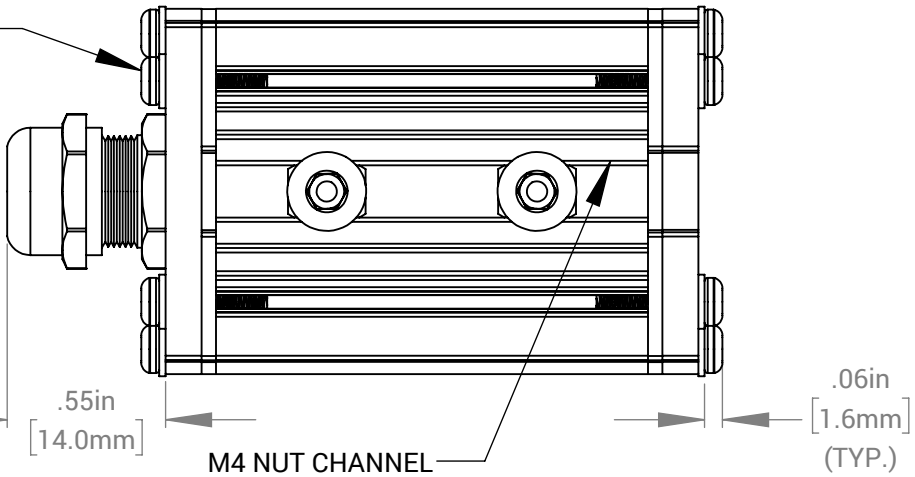


REVISIONS			
REV.	DESCRIPTION	DATE	DCN NO
-	FOR QUOTING PURPOSES ONLY		

CABLE ENTRY SIDE



FOR REFERENCE ONLY

**PROPRIETARY AND CONFIDENTIAL**  
 THESE DRAWINGS AND SPECIFICATIONS ARE THE EXCLUSIVE PROPERTIES OF ADVANCED ILLUMINATION INCORPORATED ISSUED IN STRICT CONFIDENCE AND SHALL NOT, WITHOUT THE PRIOR WRITTEN PERMISSION OF ADVANCED ILLUMINATION INC BE REPRODUCED, COPIED OR USED FOR ANY PURPOSE WHATSOEVER EXCEPT THE MANUFACTURE OF ARTICLES FOR ADVANCED ILLUMINATION INC

CUT USING:		UNLESS OTHERWISE SPECIFIED:	DATE	NAME
		SURFACE SHOULD BE FREE OF SCRATCHES, BURRS, AND DENTS	29-MAY-18	T.MILLS
		DIMENSIONS ARE IN: INCHES	--	--
		<u>TOLERANCES</u>	APPROVED	--
		FRACTIONAL ± 1/16	MATERIAL	
		ANGULAR: MACH ± 1 BEND ± 1		
		TWO PLACE DECIMAL ± .010	FINISH	
		THREE PLACE DECIMAL ± .005		
NEXT ASSY	USED ON	MAKE FROM		
APPLICATION				

**UNIT WEIGHT: .093 lbs**

		440 STATE GARAGE ROAD, ROCHESTER, VERMONT 05767
TITLE:		
DRAWING, INSTALLATION, SL244 (SEALED)		
SIZE	DWG. NO.	REV
<b>A</b>	SL244 (SEALED)	-
SCALE: NTS C CODE: -		SHEET 1 OF 1