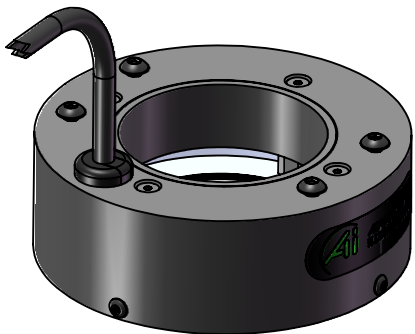
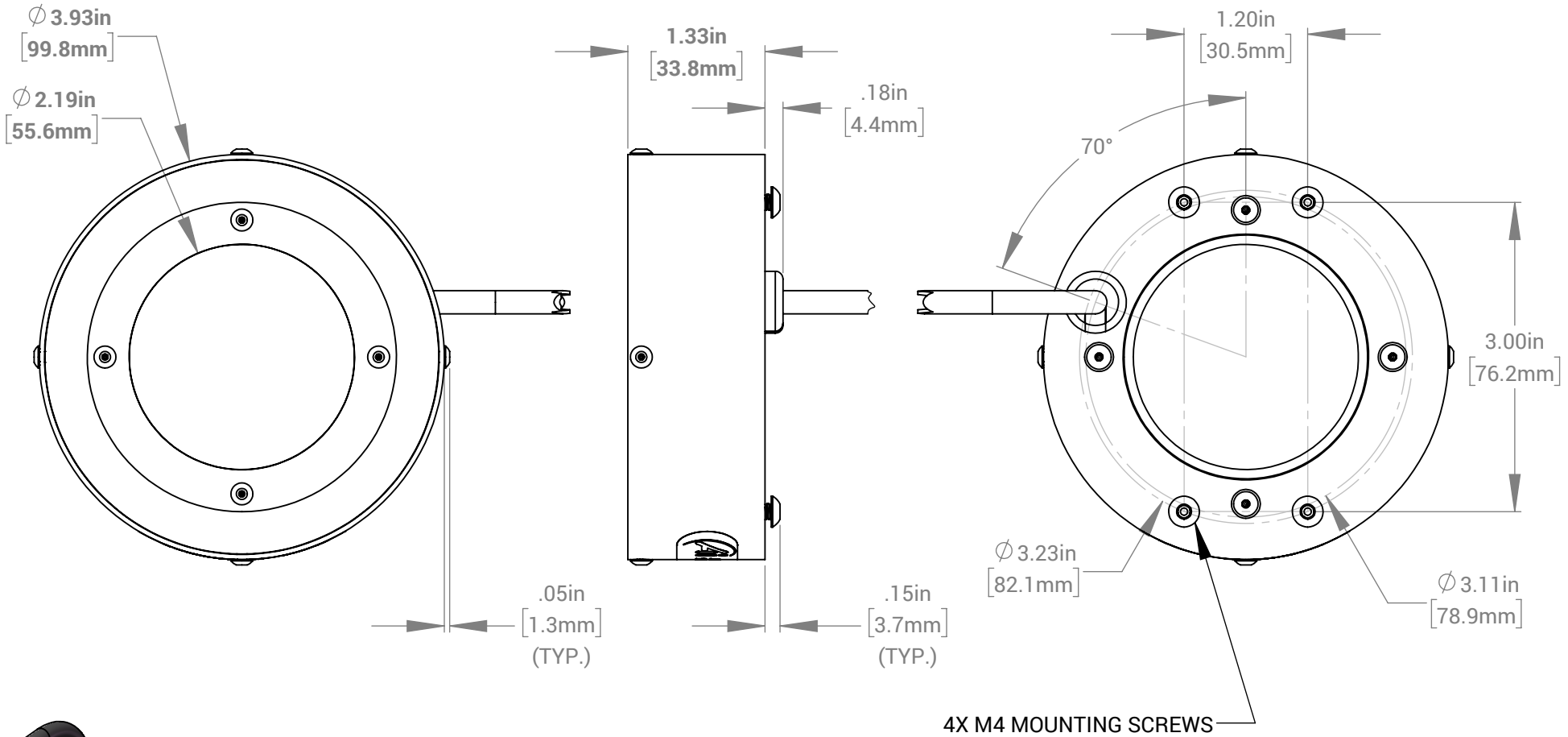


| REVISIONS | | | |
|-----------|---------------------------|------|--------|
| REV. | DESCRIPTION | DATE | DCN NO |
| - | FOR QUOTING PURPOSES ONLY | | |



FOR REFERENCE ONLY

PROPRIETARY AND CONFIDENTIAL
 THESE DRAWINGS AND SPECIFICATIONS ARE THE EXCLUSIVE PROPERTIES OF ADVANCED ILLUMINATION INCORPORATED ISSUED IN STRICT CONFIDENCE AND SHALL NOT, WITHOUT THE PRIOR WRITTEN PERMISSION OF ADVANCED ILLUMINATION INC BE REPRODUCED, COPIED OR USED FOR ANY PURPOSE WHATSOEVER EXCEPT FOR THE MANUFACTURE OF ARTICLES FOR ADVANCED ILLUMINATION INC

| | | | | | | |
|--------------|---------|--|----------|-----------|----|--|
| CUT USING: - | | UNLESS OTHERWISE SPECIFIED: SURFACE SHOULD BE FREE OF SCRATCHES, BURRS, AND DENTS DIMENSIONS ARE IN: INCHES <u>TOLERANCES</u> FRACTIONAL: ± 1/16 ANGULAR: MACH ± 1 BEND ± 1 TWO PLACE DECIMAL ± .010 THREE PLACE DECIMAL ± .005 MAKE FROM | DRAWN | 26-FEB-21 | Ai | |
| | | | CHECKED | -- | -- | |
| | | | APPROVED | -- | -- | |
| | | | MATERIAL | - | | |
| | | | FINISH | - | | |
| NEXT ASSY | USED ON | | | | | |
| APPLICATION | | | | | | |

UNIT WEIGHT: 0.60 lbs

| | | | |
|--|----------|--|--|
| | | 440 STATE GARAGE ROAD, ROCHESTER, VERMONT 05767 | |
| TITLE: DRAWING, INSTALLATION, RL5064 | | | |
| SIZE | DWG. NO. | REV | |
| A | RL5064 | - | |
| SCALE: NTS C CODE: - | | SHEET 1 OF 1 | |