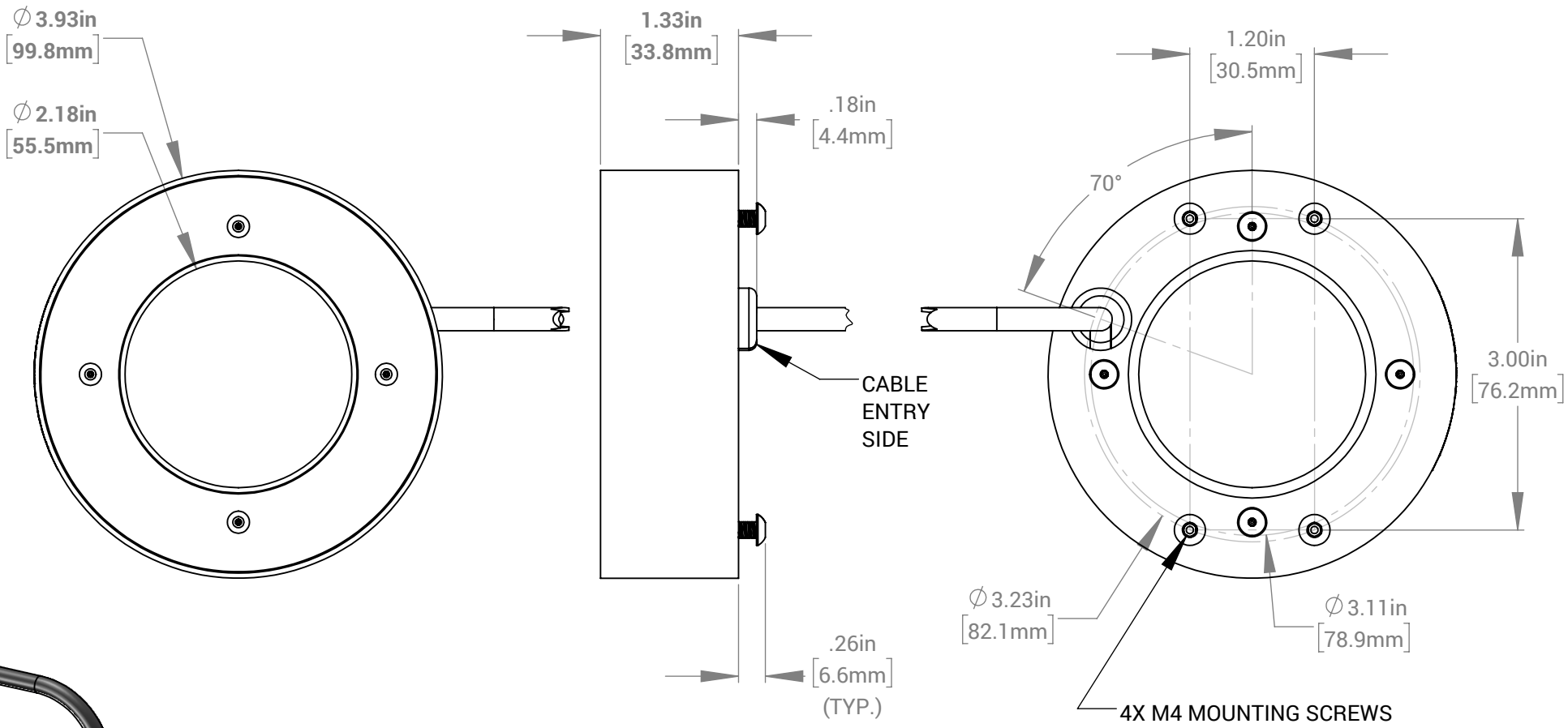


REVISIONS			
REV.	DESCRIPTION	DATE	DCN NO
-	FOR QUOTING PURPOSES ONLY		



FOR REFERENCE ONLY

PROPRIETARY AND CONFIDENTIAL
 THESE DRAWINGS AND SPECIFICATIONS ARE THE EXCLUSIVE PROPERTIES OF ADVANCED ILLUMINATION INCORPORATED ISSUED IN STRICT CONFIDENCE AND SHALL NOT, WITHOUT THE PRIOR WRITTEN PERMISSION OF ADVANCED ILLUMINATION INC BE REPRODUCED, COPIED OR USED FOR ANY PURPOSE WHATSOEVER EXCEPT THE MANUFACTURE OF ARTICLES FOR ADVANCED ILLUMINATION INC

UNIT WEIGHT: 0.43 lbs

CUT USING:		UNLESS OTHERWISE SPECIFIED:	DATE	NAME	 ADVANCED ILLUMINATION 440 STATE GARAGE ROAD, ROCHESTER, VERMONT 05767
		SURFACE SHOULD BE FREE OF SCRATCHES, BURRS, AND DENTS	12-APR-21	Ai	
		DIMENSIONS ARE IN: INCHES	CHECKED	--	TITLE: DRAWING, INSTALLATION, RL4260
		<u>TOLERANCES</u>	APPROVED	--	
		FRACTIONAL ± 1/16	MATERIAL		SIZE DWG. NO. A RL4260
		ANGULAR: MACH ± 1 BEND ± 1	FINISH		
NEXT ASSY	USED ON	TWO PLACE DECIMAL ± .010			REV -
		THREE PLACE DECIMAL ± .005			
	APPLICATION	MAKE FROM			SCALE: NTS C CODE: -
					SHEET 1 OF 1