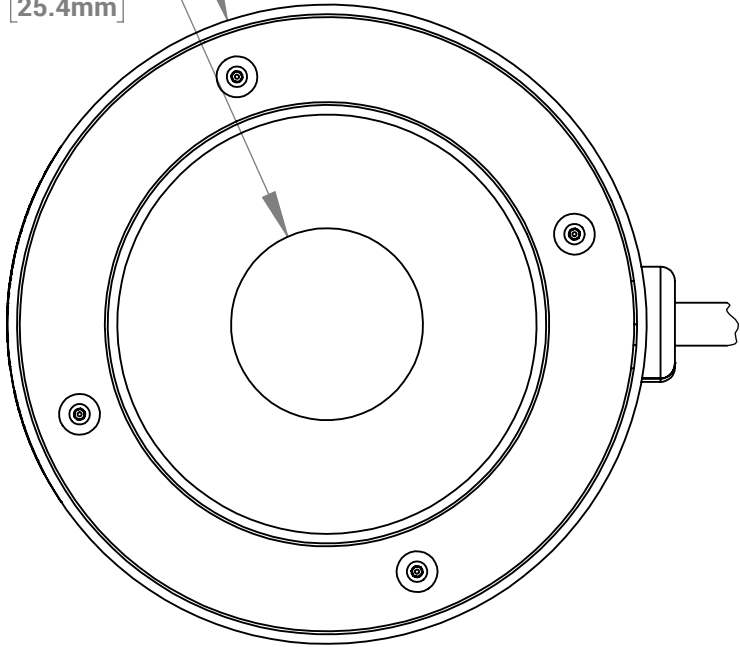


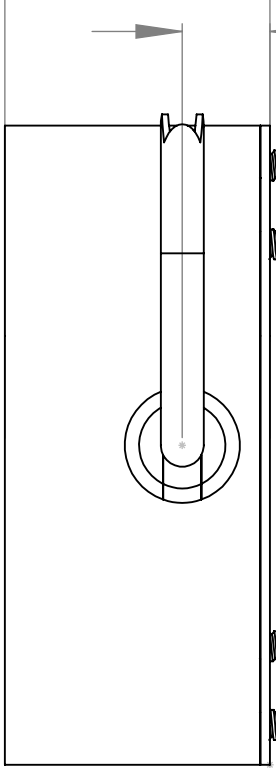
REVISIONS			
REV.	DESCRIPTION	DATE	DCN NO
-	FOR QUOTING PURPOSES ONLY		

Ø 3.33in  
[84.6mm]

Ø 1.00in  
[25.4mm]



1.38in  
[35.1mm]



.46in  
[11.6mm]

2.66in  
[67.7mm]

.15in  
[3.8mm]

Ø 2.92in  
[74.2mm]

.21in  
[5.3mm]  
(TYP.)

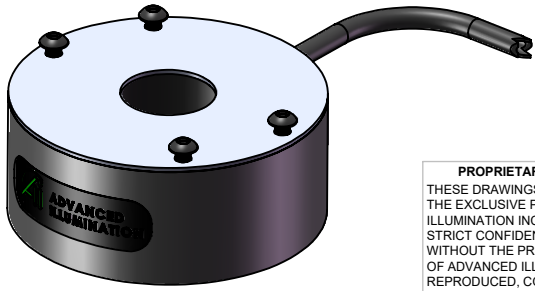
CABLE ENTRY SIDE

1.20in  
[30.5mm]

110°

4X M4 MOUNTING SCREWS

UNIT WEIGHT: 0.29 lbs



FOR REFERENCE ONLY

**PROPRIETARY AND CONFIDENTIAL**  
 THESE DRAWINGS AND SPECIFICATIONS ARE THE EXCLUSIVE PROPERTIES OF ADVANCED ILLUMINATION INCORPORATED ISSUED IN STRICT CONFIDENCE AND SHALL NOT, WITHOUT THE PRIOR WRITTEN PERMISSION OF ADVANCED ILLUMINATION INC BE REPRODUCED, COPIED OR USED FOR ANY PURPOSE WHATSOEVER EXCEPT FOR THE MANUFACTURE OF ARTICLES FOR ADVANCED ILLUMINATION INC

CUT USING:		UNLESS OTHERWISE SPECIFIED:	DRAWN	DATE	NAME	 440 STATE GARAGE ROAD, ROCHESTER, VERMONT 05767
		SURFACE SHOULD BE FREE OF SCRATCHES, BURRS, AND DENTS	CHECKED	26-FEB-21	Ai	
		DIMENSIONS ARE IN: INCHES	APPROVED	--	--	
		<u>TOLERANCES</u>	MATERIAL			
		FRACTIONAL: 1/16	FINISH			TITLE:
		ANGULAR: MACH ± 1 BEND ± 1				DRAWING, INSTALLATION,
		TWO PLACE DECIMAL: .010				RL1424D
		THREE PLACE DECIMAL: .005				SIZE DWG. NO.
		MAKE FROM				RL1424D
NEXT ASSY	USED ON					REV
						-
APPLICATION						SCALE: NTS C CODE: -
						SHEET 1 OF 1