




Product Highlights

- Light exists at 30 degrees from horizontal to illuminate parallel to the material travel in a line scan application
- Passively cooled design in 6" increments: lengths from 6" to 90"
- Intensity control of entire light via 0-10v input

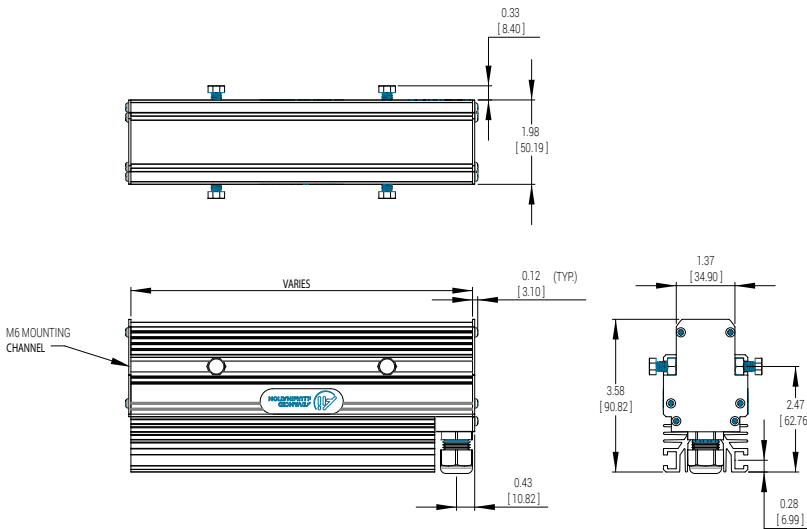


General Specifications

Electrical Specifications	Color	24v Current	All Other Controls
	625	0.70 A per 6 inches	0.70 A Max per 6 inches
	470, 530, WHI	0.76 A per 6 inches	0.76 A Max per 6 inches
Normal Operating Temperature	0 - 60°C		
Weight (g)	Per 12" - 1211.1g (42.72oz)		
Standard Cable Information	Up to 2 meters (80") long - 105°C rated PVC jacket, foil shield with drain.		
Photobiological Risk Factor IEC 62471	Group 1 (Low-Risk) Applicable Wavelengths: 470, 530, 625, WHI		
Compliance			
IP Rating	Unsealed - IP50		
Lumen Maintenance	L70 = 50,000 hours		

LL158 Expandable Series

Mechanical Specifications



DIMENSIONS ARE IN MILLIMETERS [INCHES]

Part #	Length in mm	[inches]
LL15806	203	[8]
LL15812	356	[14]
LL15818	508	[20]
LL15824	660	[26]
LL15830	812	[32]
LL15836	965	[38]
LL15842	1118	[44]

6" Increments up to a max of 90"

Part Number Key

Model	Lighted Length	—	Spectral Wavelength	Connector/Control
LL158	XX	—	XXX	XX
LL158	6" increments up to 90"		(blue) 470 (green) 530 (red) 625 (white) WHI	C1 24
Ex: LL15806-470C1 LL15824-62524				

Stock Product: ships within 3 days
None

Build to Order: shipped within two weeks

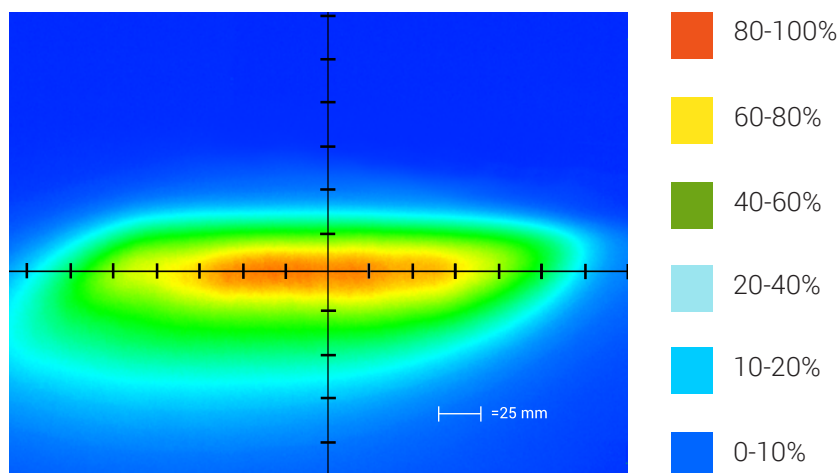
Connector | Control Options

C1 Connector	24
For use with: DCS Series Controllers	Flying/tinned leads Powered with: 24V power supply

LL158 Expandable Series

Optical Performance

Intensity Distribution



Optical measurement taken using LL15812-62524 @ 75 mm

Area of Illuminance & Intensity

Working Area (FWHM)
@ Working Distance

305 X 53.4 (mm)
@75 (mm)



Light Output

Irradiance (W/M²): Min 370; Typ 435
Illuminance (kLux): Min 45; Typ 53

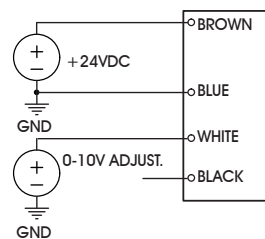
Operation and Wiring

24 Volt

Function	Wire Color
+24v DC	Brown
0-10v DC Analog Control	White
GND	Blue
N/A	Black

The entire light's intensity can be controlled via external 0-10 V analog controller using the white wire

0-10V ANALOG CONTROL LINEAR OUTPUT ADJUST



LL158 Expandable Series

Warranty Information

Every Advanced illumination, Inc. (Ai) product is thoroughly inspected and tested before leaving the factory. Products are warranted to be free of defects in workmanship and materials for a period of two years from the original date of purchase. Should a defect develop during this period, please contact Ai Customer Service or your Ai distributor for a Return Merchandise Authorization (RMA), and return the complete product, freight prepaid, to Ai. If a defect is found, Ai will - at our discretion - repair or replace the product without charge. Ai claims no liability for any implied warranties, including "merchantability" and "fitness for a specific purpose."

Electromagnetic Compatibility

This product was tested and complies with the regulatory requirements and limits for electromagnetic compatibility (EMC) as stated in the product specifications. These requirements and limits are designed to provide reasonable protection against harmful interference only when the product is operated in its intended industrial electromagnetic environment. To minimize the potential for electromagnetic interference or unacceptable performance degradation, install and use this product in strict accordance with the instructions in the product documentation.

Customer Service

For information on existing orders, or to make an order adjustment, contact us Monday through Friday 8:00 am to 5:00 pm, EST or send an email to orders@advill.com.

Company Information

Advanced Illumination

440 State Garage Road, Rochester VT. 05767

Phone: 802.767.3830

Fax: 802.767.3831

Email: info@advancedillumination.com

Web: advancedillumination.com

© 2015 Advanced Illumination Inc. All rights reserved