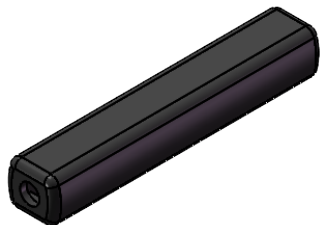
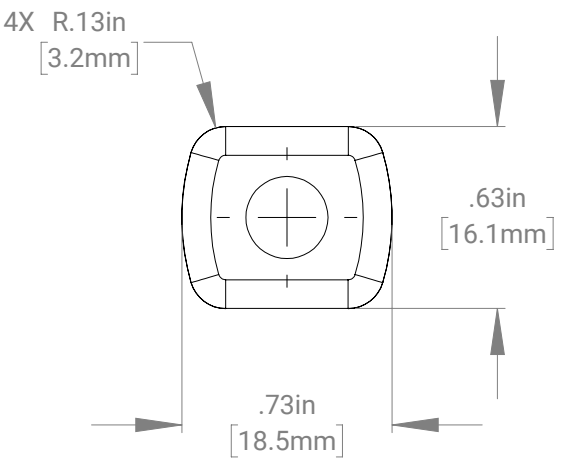
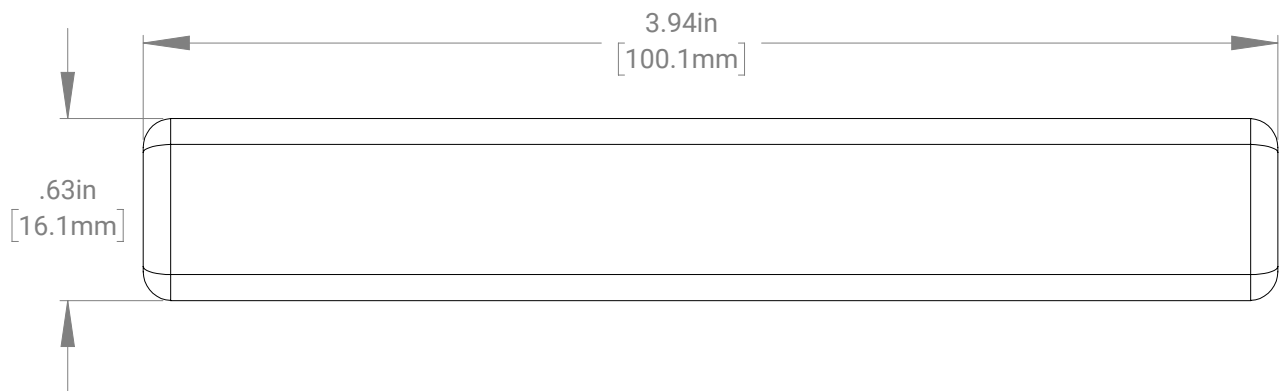
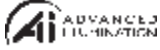


REVISIONS			
REV.	DESCRIPTION	DATE	DCN NO
-	FOR QUOTING PURPOSES ONLY		



FOR REFERENCE ONLY

**UNIT WEIGHT: 2.0oz**

CUT USING: -		<b>UNLESS OTHERWISE SPECIFIED:</b> FOR QUOTING PURPOSES ONLY. DIMENSIONS ARE FOR REFERENCE ONLY. TOLERANCES ONLY GUARANTEED WHERE SPECIFIED.	DATE	NAME	 <b>440 STATE GARAGE ROAD, ROCHESTER, VERMONT 05767</b>
			05-FEB-24	T.MILLS	
			--	--	
			--	--	
NEXT ASSY	USED ON	MAKE FROM	MATERIAL		<b>TITLE:</b> DRAWING, INSTALLATION, ICS4
			FINISH		
APPLICATION					<b>SIZE</b> DWG. NO. REV <b>A</b> ICS4 -
			SCALE: NTS C CODE: -		SHEET 1 OF 1