

### DLO67 LENGTH MATRIX

PART #	LENGTH IN INCHES (mm)	MAX VIEW PORTS
DL067X06	6.5 (165 mm)	2
DL067X12	12.5 (318 mm)	3
DL067X18	18.5 (470 mm)	4
DL067X24	24.5 (622 mm)	4
DL067X30	30.5 (775 mm)	4
DL067X36	36.5 (927 mm)	4

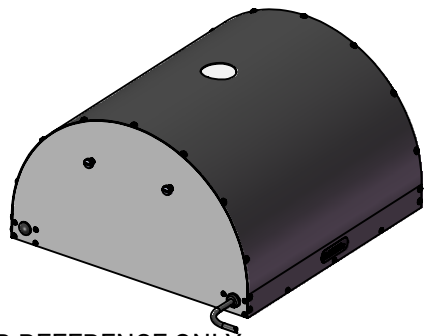
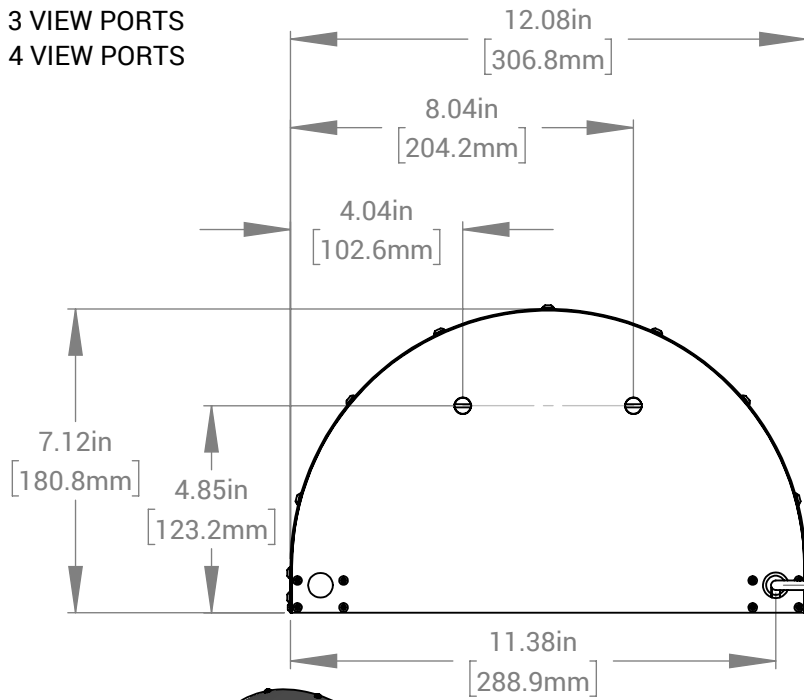
X = NUMBER OF VIEW PORTS:

A = 1 VIEW PORT

B = 2 VIEW PORTS

C = 3 VIEW PORTS

D = 4 VIEW PORTS



FOR REFERENCE ONLY

**PROPRIETARY AND CONFIDENTIAL**  
 THESE DRAWINGS AND SPECIFICATIONS ARE THE EXCLUSIVE PROPERTIES OF ADVANCED ILLUMINATION INCORPORATED ISSUED IN STRICT CONFIDENCE AND SHALL NOT, WITHOUT THE PRIOR WRITTEN PERMISSION OF ADVANCED ILLUMINATION INC BE REPRODUCED, COPIED OR USED FOR ANY PURPOSE WHATSOEVER EXCEPT THE MANUFACTURE OF ARTICLES FOR ADVANCED ILLUMINATION INC

NUMBER OF EQUALLY SPACED  
 $\phi$  1.50in VIEW PORTS VARIES

$\phi$  12.08in  
 [306.8mm]

6.04in  
 [153.4mm]

CABLE  
 ENTRY  
 SIDE

.07in  
 [1.9mm]  
 (TYP.)

M6 MOUNTING  
 SCREWS

.64in  
 [16.3mm]

.18in  
 [4.4mm]

REFER TO CHART ABOVE

.12in  
 [3.1mm]  
 (TYP.)

REVISIONS			
REV.	DESCRIPTION	DATE	DCN NO
-	FOR QUOTING PURPOSES ONLY		

**6" UNIT WEIGHT: 2.55 lbs**

CUT USING: -	UNLESS OTHERWISE SPECIFIED: SURFACE SHOULD BE FREE OF SCRATCHES, BURRS, AND DENTS DIMENSIONS ARE IN: INCHES <u>TOLERANCES</u> FRACTIONAL: $\pm$ 1/16 ANGULAR: MACH $\pm$ 1 BEND $\pm$ 1 TWO PLACE DECIMAL $\pm$ .010 THREE PLACE DECIMAL $\pm$ .005 MAKE FROM	DATE 26-FEB-21	NAME Ai	440 STATE GARAGE ROAD, ROCHESTER, VERMONT 05767
NEXT ASSY	USED ON	CHECKED --	APPROVED --	
APPLICATION		DRAWN		TITLE: DRAWING, INSTALLATION, DL067
		CHECKED		SIZE DWG. NO.
		APPROVED		A DL067
		MATERIAL		REV
		FINISH		-
				SCALE: NTS C CODE: -
				SHEET 1 OF 1