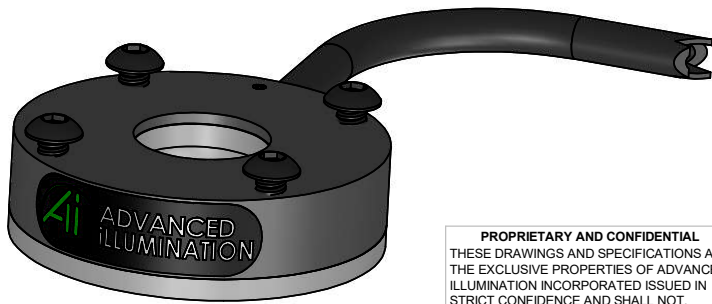
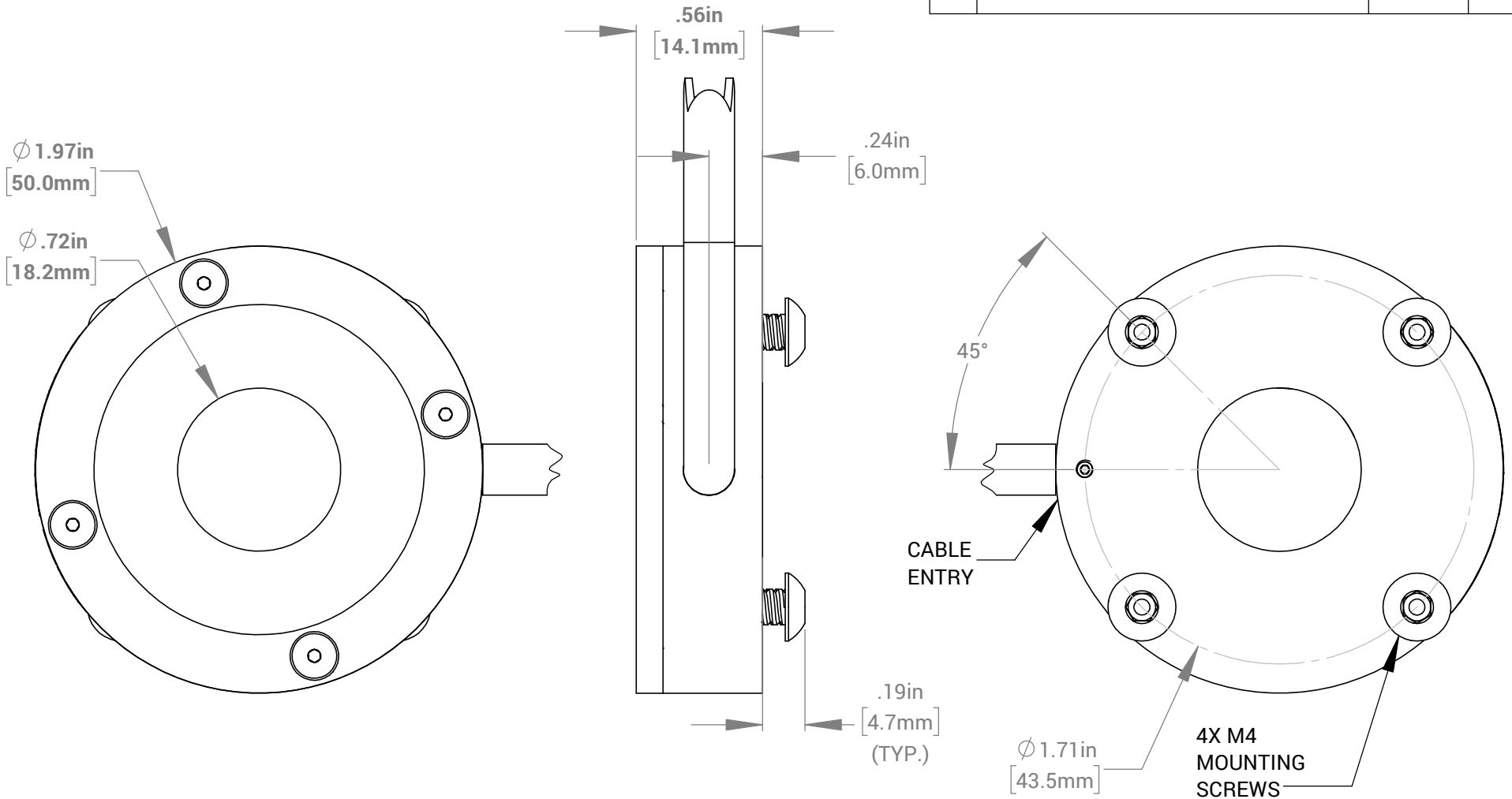


REVISIONS			
REV.	DESCRIPTION	DATE	DCN NO
-	FOR QUOTING PURPOSES ONLY		



FOR REFERENCE ONLY

**PROPRIETARY AND CONFIDENTIAL**  
 THESE DRAWINGS AND SPECIFICATIONS ARE THE EXCLUSIVE PROPERTIES OF ADVANCED ILLUMINATION INCORPORATED ISSUED IN STRICT CONFIDENCE AND SHALL NOT, WITHOUT THE PRIOR WRITTEN PERMISSION OF ADVANCED ILLUMINATION INC BE REPRODUCED, COPIED OR USED FOR ANY PURPOSE WHATSOEVER EXCEPT THE MANUFACTURE OF ARTICLES FOR ADVANCED ILLUMINATION INC

CUT USING: -		<b>UNLESS OTHERWISE SPECIFIED:</b>		DATE	NAME
		SURFACE SHOULD BE FREE OF SCRATCHES, BURRS, AND DENTS		DRAWN	26-FEB-21
		DIMENSIONS ARE IN: INCHES		CHECKED	--
		<u>TOLERANCES</u>		APPROVED	--
		FRACTIONAL ± 1/16		MATERIAL	-
		ANGULAR: MACH ± 1 BEND ± 1		FINISH	-
		TWO PLACE DECIMAL ± .010			
		THREE PLACE DECIMAL ± .005			
NEXT ASSY	USED ON	MAKE FROM			
APPLICATION					

**UNIT WEIGHT: 0.14 lbs**

**Ai** ADVANCED ILLUMINATION 440 STATE GARAGE ROAD, ROCHESTER, VERMONT 05767

TITLE:  
DRAWING, INSTALLATION, DF198-050

SIZE DWG. NO. REV  
**A** DF198-050 -

SCALE: NTS/C CODE: - SHEET 1 OF 1