

### Product Highlights

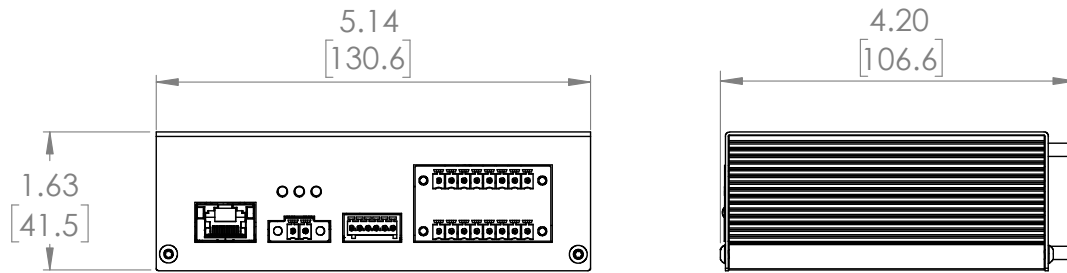
- Ideal for multi-channel lights and multi-light stations
- Includes built-in pre-programmed sequencing
- Provides control for computational imaging applications
- Housed within a compact enclosure with DIN rail mounting
- Driven with SignaTech™ for improved safety and easy operation



### General Specifications

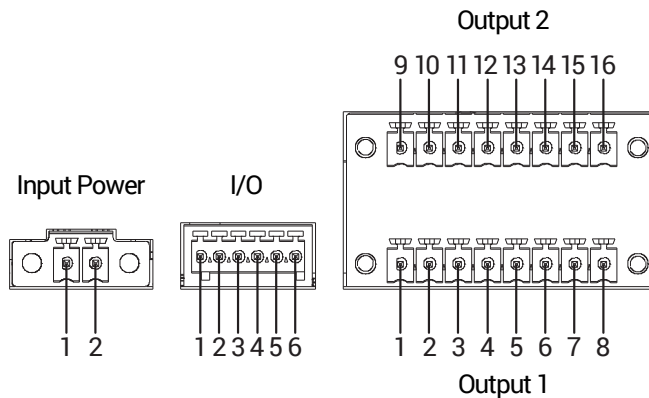
Channel Control	8 Independent Channels 2 Output Connector
Modes	Continuous, Gated Continuous, or Pulsed
Power Requirements	24V DC Nominal, 4.5A Min Voltage = 22V DC Max Voltage = 48V DC
Output Power	Up to 100W Total 5A Pulsed (24V Input) 10A Pulsed (48V Input) 1A Continuous Per Channel
External Trigger Input / Output	5V, TTL Compatible Overvoltage Protected - Safe Up to 30VDC
Trigger-to-Pulse Latency	30µs delay 2µs rise/fall
Duty Cycle / Frequency	15% Duty Cycle Limit in Overdrive / Pulsed Mode
Pulse Width Range	30µs to 1h
Communication / Software	10/100 Ethernet Standard TCP-IP, UDP .NET Library Compatible w/ C#, F# and VB Windows Software
Operating Temperature	0°C to 60°C

## Mechanical Specifications



MEASUREMENTS IN INCHES [MILLIMETERS]

## Electrical Specifications



### Input Power

Pin	Description	Note
1	24-48VDC	Reserve polarity protected
2	DC GND	

### I/O

Pin	Description	Note
1	TRIGGER-IN1	ACTIVE-HIGH – pull high to activate (Channels 1 - 4)
2	TRIGGER-IN2	ACTIVE-HIGH – pull high to activate (Channels 4 - 8)
3	TRIGGER-OUT1	Frame Start - output signal, occurs at the beginning of each channel pulse
4	TRIGGER-OUT2	Frame Stop - output signal, occurs at the end of each channel pulse
5	TRIGGER GND	Same as DC ground
6	TRIGGER GND	Same as DC ground

## Electrical Specifications (Continued)

## Output 1 &amp; 2

Output 1		Output 2		Notes
Pin	Description	Pin	Description	
1	SignaTech™ GND	9	SignaTech™ GND	Reserved (Common*)
2	SignaTech™	10	SignaTech™	SignaTech™ Light Protection - NOT USER SERVICEABLE
3	CH3 & CH4 -	11	CH7 & CH8 -	LED Cathode (Common*)
4	CH4 +	12	CH8 +	LED Anode
5	CH3 +	13	CH7 +	LED Anode
6	CH1 & CH2 -	14	CH5 & CH6 -	LED Cathode (Common*)
7	CH2 +	15	CH6 +	LED Anode
8	CH1 +	16	CH5 +	LED Anode

\*LED Cathode pins, pin 1, and pin 9 are COMMON and may be tied together.

This controller requires SignaTech to operate correctly. SignaTech is included with lights purchased from Advanced Illumination. It is not possible to drive a non-SignaTech protected light source without instruction from Advanced Illumination.

## Part Number Key

Model	—	Controller	Connection Type
DCS	—	XXX	X
DCS	—	800	E

Example light part numbers for the DCS-800E connectors:

DF198-115WHI**Q1**

SL244-WHI**Q4**

## Warranty Information

Every Advanced illumination, Inc. (Ai) product is thoroughly inspected and tested before leaving the factory. Products are warranted to be free of defects in workmanship and materials for a period of five years from the original date of purchase. Should a defect develop during this period, please contact Ai Customer Service or your Ai distributor for a Return Merchandise Authorization (RMA), and return the complete product, freight prepaid, to Ai. If a defect is found, Ai will - at our discretion - repair or replace the product without charge. Ai claims no liability for any implied warranties, including "merchantability" and "fitness for a specific purpose."

## Electromagnetic Compatibility

This product was tested and complies with the regulatory requirements and limits for electromagnetic compatibility (EMC) as stated in the product specifications. These requirements and limits are designed to provide reasonable protection against harmful interference only when the product is operated in its intended industrial electromagnetic environment. To minimize the potential for electromagnetic interference or unacceptable performance degradation, install and use this product in strict accordance with the instructions in the product documentation.

## Customer Service

For information on existing orders, or to make an order adjustment, contact us Monday through Friday 8:00 am to 5:00 pm ET or send an email to [orders@advill.com](mailto:orders@advill.com).

## Company Information

### **Advanced Illumination**

440 State Garage Road, Rochester VT. 05767

Phone: 802.767.3830

Fax: 802.767.2636

Email: [info@advancedillumination.com](mailto:info@advancedillumination.com)

Web: [advancedillumination.com](http://advancedillumination.com)

© 2019 Advanced Illumination Inc. All rights reserved