



# Features

Configuring your microwave switch system has never been easier:

**Step 1:** Start with the SM7000D base unit. It holds up to six microwave building blocks in one C-size slot.

**Step 2:** Select up to six microwave building blocks

**Step 3:** Contact VXI Technology for price and delivery

dc to 26.5 GHz

The First Modular VXI Microwave Switch on the Market

Up to 6 (1x6) in Only One C-size Slot

Building Blocks Range from Dual SPDT Relays to SP6T Relays, Transfer Switches and Relay Drivers

Microwave Building Blocks are "Pluggable" from the Front of the VXIbus Card

Building Blocks Priced to Satisfy Lower Frequency Cellular Switching Markets

## DC-26.5 GHz Non-terminated Microwave Switching

### Overview

The SM7000D series is part of the SMIP//™ family, offering the extensive control and interfacing features provided by SMIP//™. Microwave relay technology has been pioneered to offer density, modularity and cost benefits not available from other VXI suppliers.

Using the SMIP//™ family for microwave switching, the user obtains the following benefits over other VXI microwave switch solutions:

**Density:** Up to 6 (1x6) microwave relays can be housed in a single VXIbus slot (SM7000D carrier).

**Modularity:** Each SM7000D series switch module can house up to 6 building blocks, which can be mixed and matched for the final configuration.

**Cost:** The SM7000D series has been priced to help reduce the cost of microwave switching by at least 20% from existing solutions.

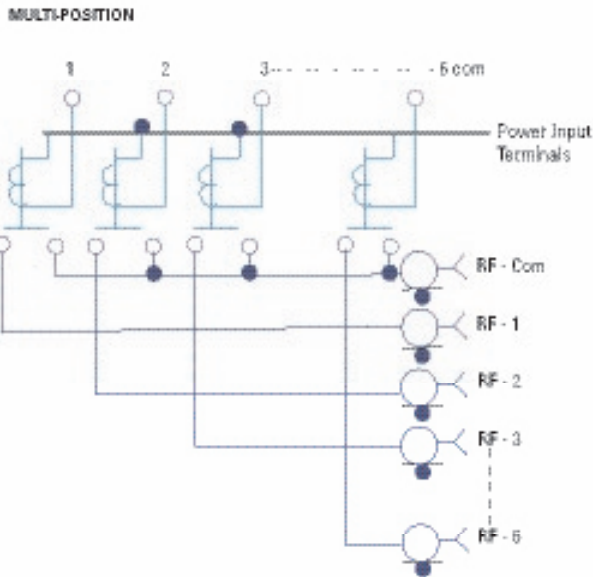
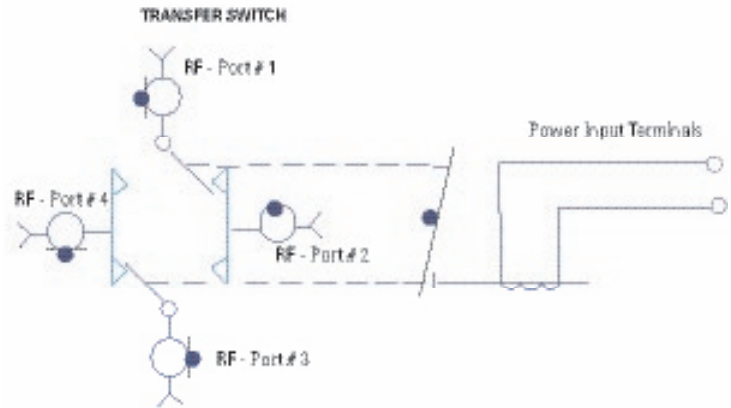
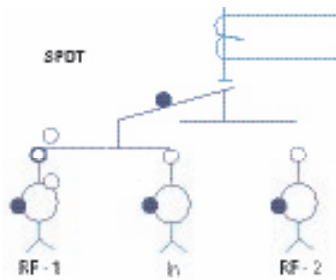
The following building blocks have been selected to allow the majority of microwave switch applications to be accommodated within (1) VXIbus card slot. Each building block is also "pluggable" from the front allowing for easy configuration and repair.

### Specifications

|                                   |                 |
|-----------------------------------|-----------------|
| <b>Average Power per Channel:</b> | 40 W @ 26.5 GHz |
| <b>Switching Time:</b>            | <15 ms          |
| <b>RF Impedance:</b>              | 50 Ω            |
| <b>Connectors:</b>                | SMA             |

| Frequency (GHz)         | dc-3  | 3-8   | 8-12.4 | 12.4-18 | 18-26.5 |
|-------------------------|-------|-------|--------|---------|---------|
| Isolation (dB min)      | 80    | 70    | 60     | 60      | 45      |
| Insertion Loss (dB max) | 0.2   | 0.3   | 0.4    | 0.5     | 0.7     |
| VSWR min                | 1.2:1 | 1.3:1 | 1.4:1  | 1.5:1   | 1.7:1   |

## DC-26.5 GHz Non-terminated Microwave Switching



### Ordering Information

SM7000D

**SM7000D**

**7102**

**7104**

**7106**

**7122**

**7100**

Single-slot Base Unit  
 2 (SPDT) 26.5 GHz relays  
 SP4T 26.5 GHz relay  
 SP6T 26.5 GHz relay  
 26.5 GHz transfer switch  
 8 Relay driver lines (front panel access)