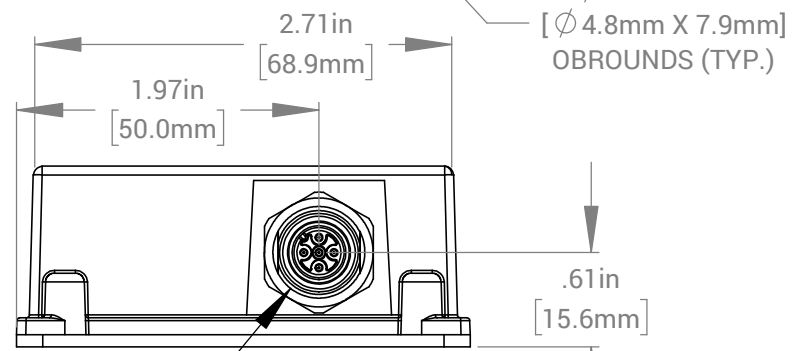
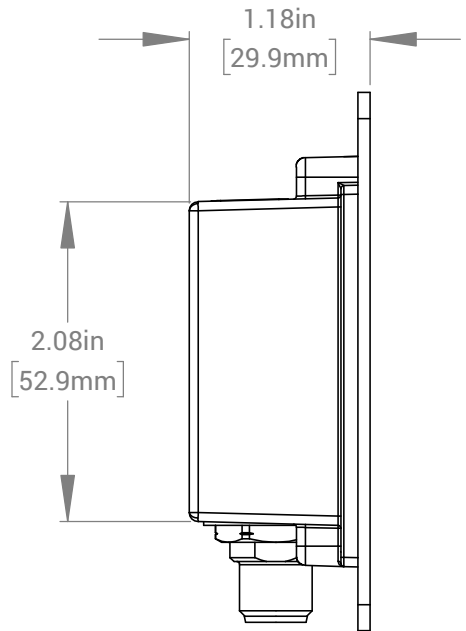
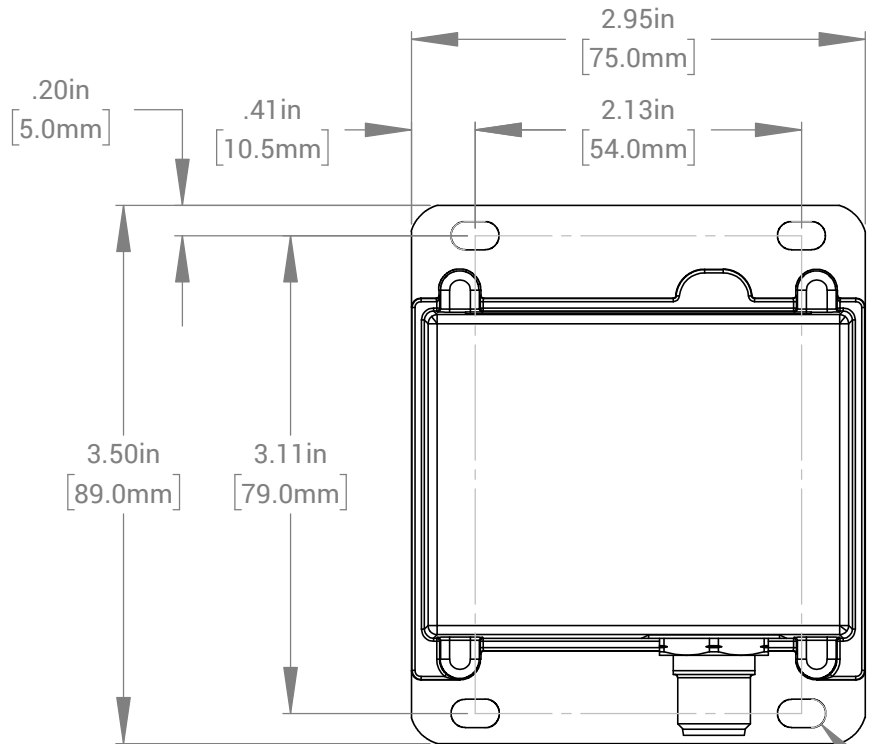
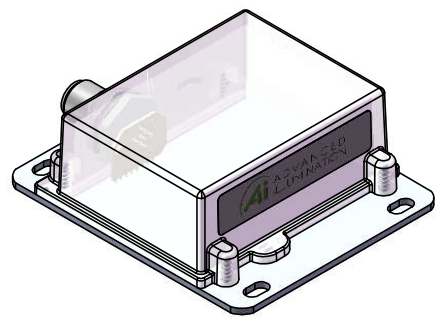


REVISIONS			
REV.	DESCRIPTION	DATE	DCN NO
-	FOR QUOTING PURPOSES ONLY		



CONNECTOR
M12 5 PIN, MALE



FOR REFERENCE ONLY

UNIT WEIGHT: .21 lbs

PROPRIETARY AND CONFIDENTIAL
THESE DRAWINGS AND SPECIFICATIONS ARE THE EXCLUSIVE PROPERTIES OF ADVANCED ILLUMINATION INCORPORATED ISSUED IN STRICT CONFIDENCE AND SHALL NOT, WITHOUT THE PRIOR WRITTEN PERMISSION OF ADVANCED ILLUMINATION INC BE REPRODUCED, COPIED OR USED FOR ANY PURPOSE WHATSOEVER EXCEPT FOR THE MANUFACTURE OF ARTICLES FOR ADVANCED ILLUMINATION INC

CUT USING: -		UNLESS OTHERWISE SPECIFIED: SURFACE SHOULD BE FREE OF SCRATCHES, BURRS, AND DENTS DIMENSIONS ARE IN: INCHES <u>TOLERANCES</u> FRACTIONAL ± 1/16 ANGULAR: MACH ± 1 BEND ± 1 TWO PLACE DECIMAL ± .010 THREE PLACE DECIMAL ± .005 MAKE FROM	DATE	NAME
NEXT ASSY	USED ON		DRAWN	25-FEB-21
APPLICATION		CHECKED	--	--
		APPROVED	--	--
		MATERIAL		
		FINISH		

TITLE:		DATE	NAME
DRAWING, INSTALLATION, BL-S050075-XXX		25-FEB-21	Ai
SIZE	DWG. NO.	REV	
A	BL-S050075-XXX	-	
SCALE: NTS/C CODE: -		SHEET 1 OF 1	

Ai ADVANCED ILLUMINATION 440 STATE GARAGE ROAD, ROCHESTER, VERMONT 05767