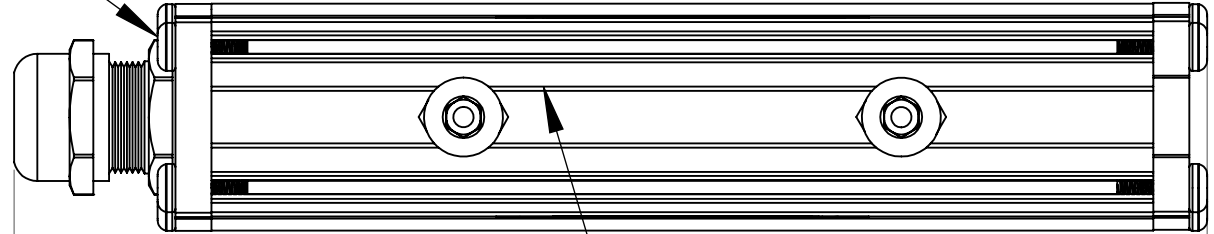


AL295 LENGTH MATRIX

PART #	LENGTH IN INCHES (mm)
AL295-075	3.52 (89.4 mm)
AL295-150	6.52 (165.6 mm)
AL295-225	9.52 (241.8 mm)
AL295-300	12.52 (318.0 mm)
AL295-375	15.52 (394.2 mm)
AL295-450	18.52 (470.4 mm)

REVISIONS			
REV.	DESCRIPTION	DATE	DCN NO
-	FOR QUOTING PURPOSES ONLY		

CABLE ENTRY SIDE

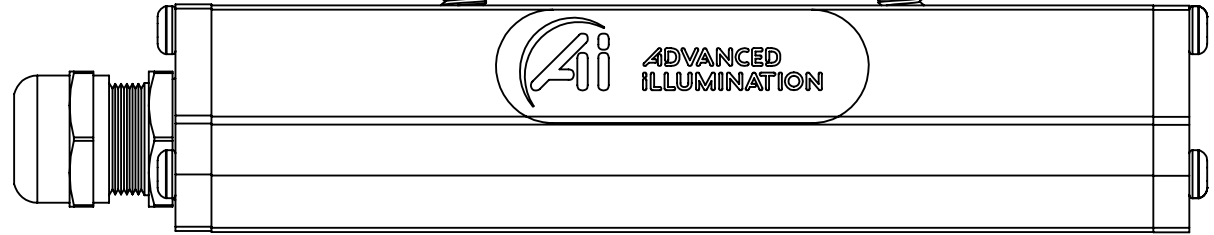


M4 NUT CHANNEL

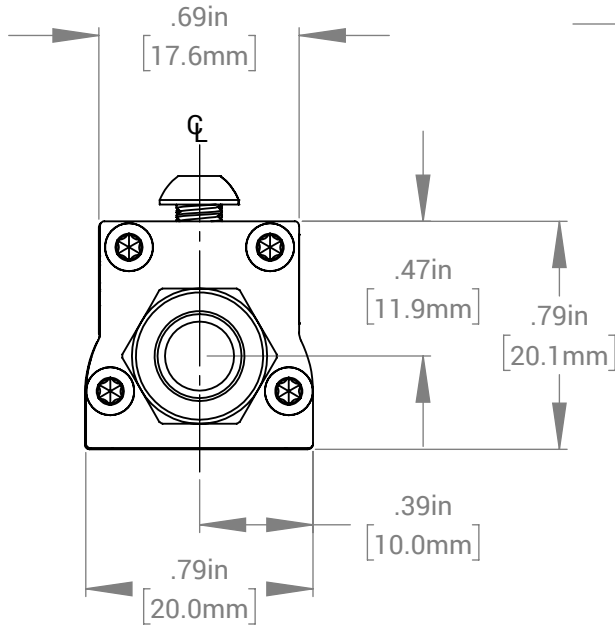
.06in
[1.6mm]
(TYP.)

M4 MOUNTING SCREWS

.56in
[14.2mm]



REFER TO CHART ABOVE



6.5" UNIT WEIGHT: 1.68 lbs



FOR REFERENCE ONLY

PROPRIETARY AND CONFIDENTIAL
 THESE DRAWINGS AND SPECIFICATIONS ARE THE EXCLUSIVE PROPERTIES OF ADVANCED ILLUMINATION INCORPORATED ISSUED IN STRICT CONFIDENCE AND SHALL NOT, WITHOUT THE PRIOR WRITTEN PERMISSION OF ADVANCED ILLUMINATION INC BE REPRODUCED, COPIED OR USED FOR ANY PURPOSE WHATSOEVER EXCEPT FOR THE MANUFACTURE OF ARTICLES FOR ADVANCED ILLUMINATION INC

CUT USING: -		UNLESS OTHERWISE SPECIFIED:	DATE	NAME	 440 STATE GARAGE ROAD, ROCHESTER, VERMONT 05767
		SURFACE SHOULD BE FREE OF SCRATCHES, BURRS, AND DENTS	04-AUG-16	JB	
		DIMENSIONS ARE IN: INCHES	CHECKED	--	TITLE: DRAWING, INSTALLATION, AL295
		TOLERANCES	APPROVED	--	
		FRACTIONAL ± 1/16	MATERIAL		SIZE DWG. NO. REV A AL295 -
		ANGULAR: MACH ± 1 BEND ± 1	FINISH		
		TWO PLACE DECIMAL ± .010			SCALE: NTS C CODE: - SHEET 1 OF 1
		THREE PLACE DECIMAL ± .005			
NEXT ASSY	USED ON	MAKE FROM			
APPLICATION					