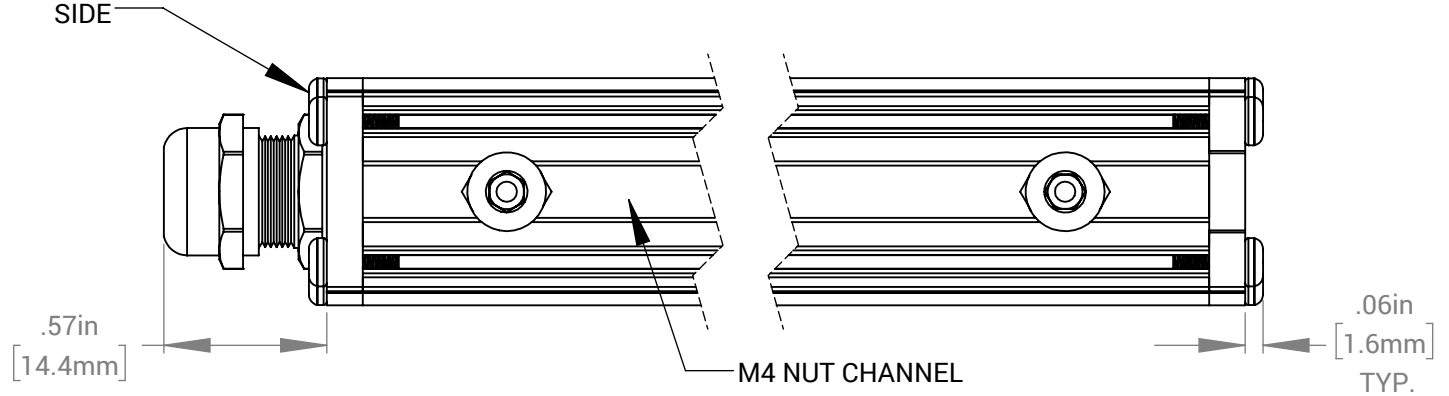


AL126 LENGTH MATRIX

PART #	LENGTH IN INCHES (mm)
AL12602	2.52 (66.6 mm)
AL12604	4.52 (117.3 mm)
AL12606	6.52 (168.2 mm)
AL12608	8.52 (219.0 mm)
AL12610	10.52 (269.8 mm)
AL12612	12.52 (320.6 mm)
AL12614	14.52 (371.4 mm)
AL12616	16.52 (422.2 mm)
AL12618	18.52 (473.0 mm)
AL12620	20.52 (523.8 mm)

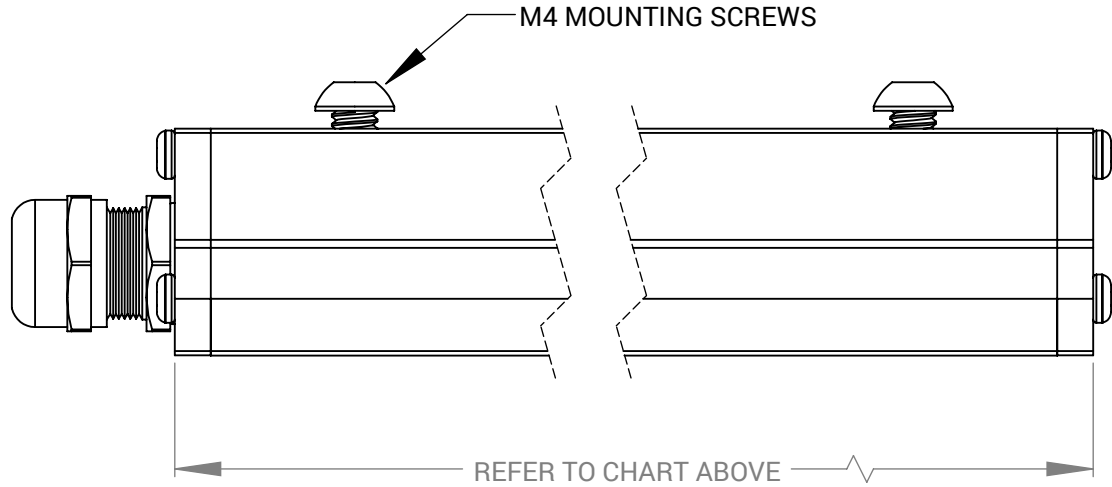
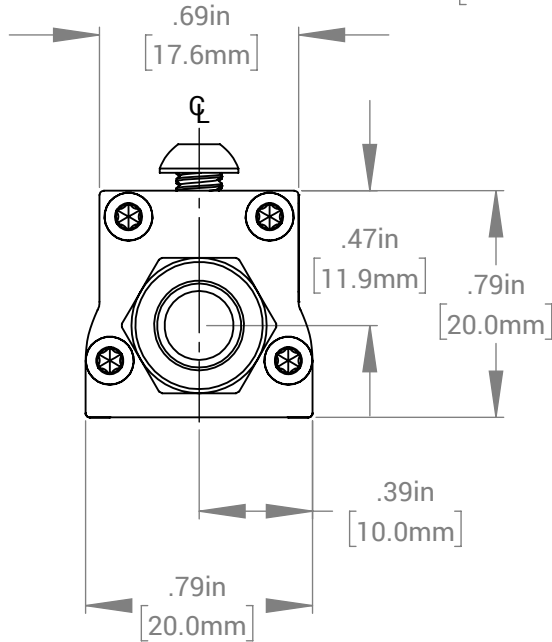
REVISIONS			
REV.	DESCRIPTION	DATE	DCN NO
-	FOR QUOTING PURPOSES ONLY		

CABLE ENTRY SIDE



M4 NUT CHANNEL

M4 MOUNTING SCREWS



REFER TO CHART ABOVE

4" UNIT WEIGHT: 0.14 lbs



FOR REFERENCE ONLY

PROPRIETARY AND CONFIDENTIAL
 THESE DRAWINGS AND SPECIFICATIONS ARE THE EXCLUSIVE PROPERTIES OF ADVANCED ILLUMINATION INCORPORATED ISSUED IN STRICT CONFIDENCE AND SHALL NOT, WITHOUT THE PRIOR WRITTEN PERMISSION OF ADVANCED ILLUMINATION INC BE REPRODUCED, COPIED OR USED FOR ANY PURPOSE WHATSOEVER EXCEPT THE MANUFACTURE OF ARTICLES FOR ADVANCED ILLUMINATION INC

CUT USING:		UNLESS OTHERWISE SPECIFIED:	DATE	NAME	440 STATE GARAGE ROAD, ROCHESTER, VERMONT 05767
		SURFACE SHOULD BE FREE OF SCRATCHES, BURRS, AND DENTS	07-JAN-19	T.MILLS	
		DIMENSIONS ARE IN: INCHES			
		<u>TOLERANCES</u>			
		FRACTIONAL ± 1/16			
		ANGULAR: MACH ± 1 BEND ± 1			
		TWO PLACE DECIMAL ± .010			
		THREE PLACE DECIMAL ± .005			
		MAKE FROM			
NEXT ASSY	USED ON	FINISH			TITLE: DRAWING, INSTALLATION, AL126 (NONSEALED)
					SIZE DWG. NO. REV A AL126 (NONSEALED) -
APPLICATION					SCALE: NTS C CODE: - SHEET 1 OF 1