

# Prosilica GT

## 4907



- Versatile temperature range for extreme environments
- PTP
- PoE
- 7.5 fps @ 16 Megapixel

## Description

### 16 Megapixel CCD camera for extreme environments - GigE Vision®

Prosilica GT4907 is a 16 Megapixel camera with a Gigabit Ethernet interface (GigE Vision®). GT4907 incorporates a OnSemi KAI-16070 CCD sensor providing excellent monochrome and color image quality. GT4907 is a rugged camera designed to operate in extreme environments.

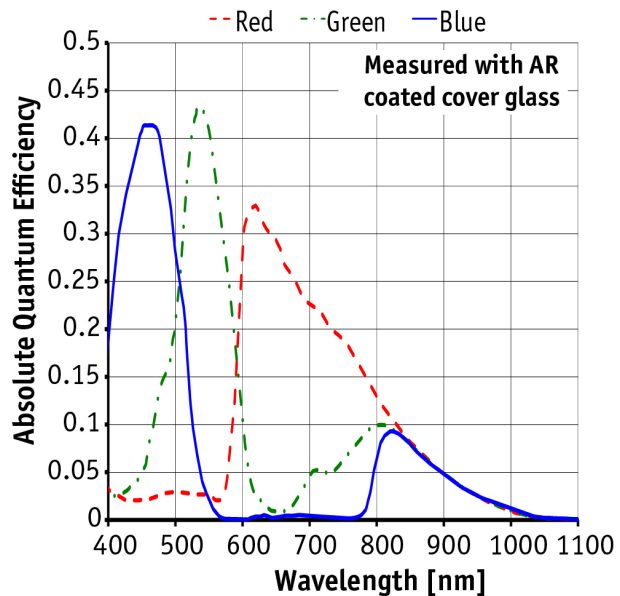
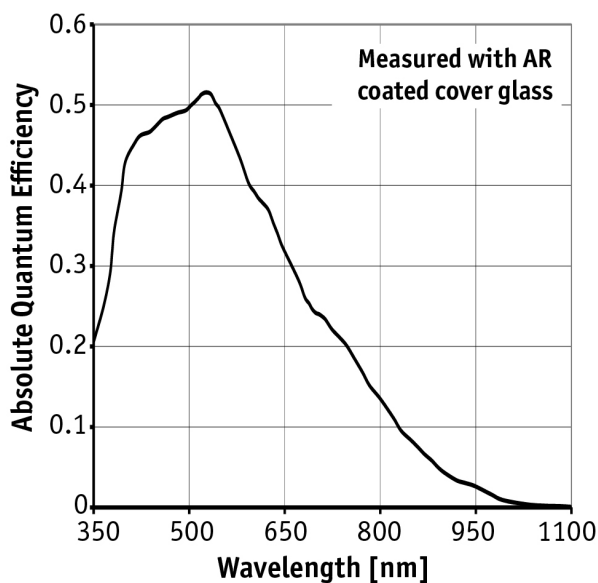
Options:

- Various IR cut/pass filters and lens mounts
- Class 1 sensor

## Specifications

Prosilica GT	4907
Interface	IEEE 802.3 1000BASE-T, IEEE 802.3af (PoE)
Resolution	4864 × 3232
Sensor	OnSemi KAI-16070
Sensor type	CCD Progressive
Sensor size	Type 35 mm
Cell size	7.4 μm
Lens mount	F-Mount (M58 optional)
Max frame rate at full resolution	7.6 fps
ADC	14 bit
On-board FIFO	128 Mbyte
<b>Output</b>	
Bit depth	14 (mono) - 12 (color) bit
Mono modes	Mono8, Mono12, Mono12Packed, Mono14
Color modes YUV	YUV411Packed, YUV422Packed, YUV444Packed

<b>Prosilica GT</b>	<b>4907</b>
Color modes RGB	RGB8Packed, BGR8Packed, RGBA8Packed, BGRA8Packed
Raw modes	BayerGR8, BayerGR12, BayerGR12Packed
<b>General purpose inputs/outputs (GPIOs)</b>	
TTL I/Os	1
Opto-isolated I/Os	1 input, 2 outputs
RS-232	1
<b>Operating conditions/dimensions</b>	
Operating temperature	-20°C ... +50°C
Power requirements (DC)	PoE, or 7-25 VDC
Power consumption (@12 V)	9.5 W (PoE) / 7.7 W @ 12 VDC
Mass	372 g
Body dimensions (L × W × H in mm)	96 × 66 × 53.3 mm including connectors, w/o tripod and lens
Regulations	CE, FCC Class A, RoHS (2011/65/EU)



## Features

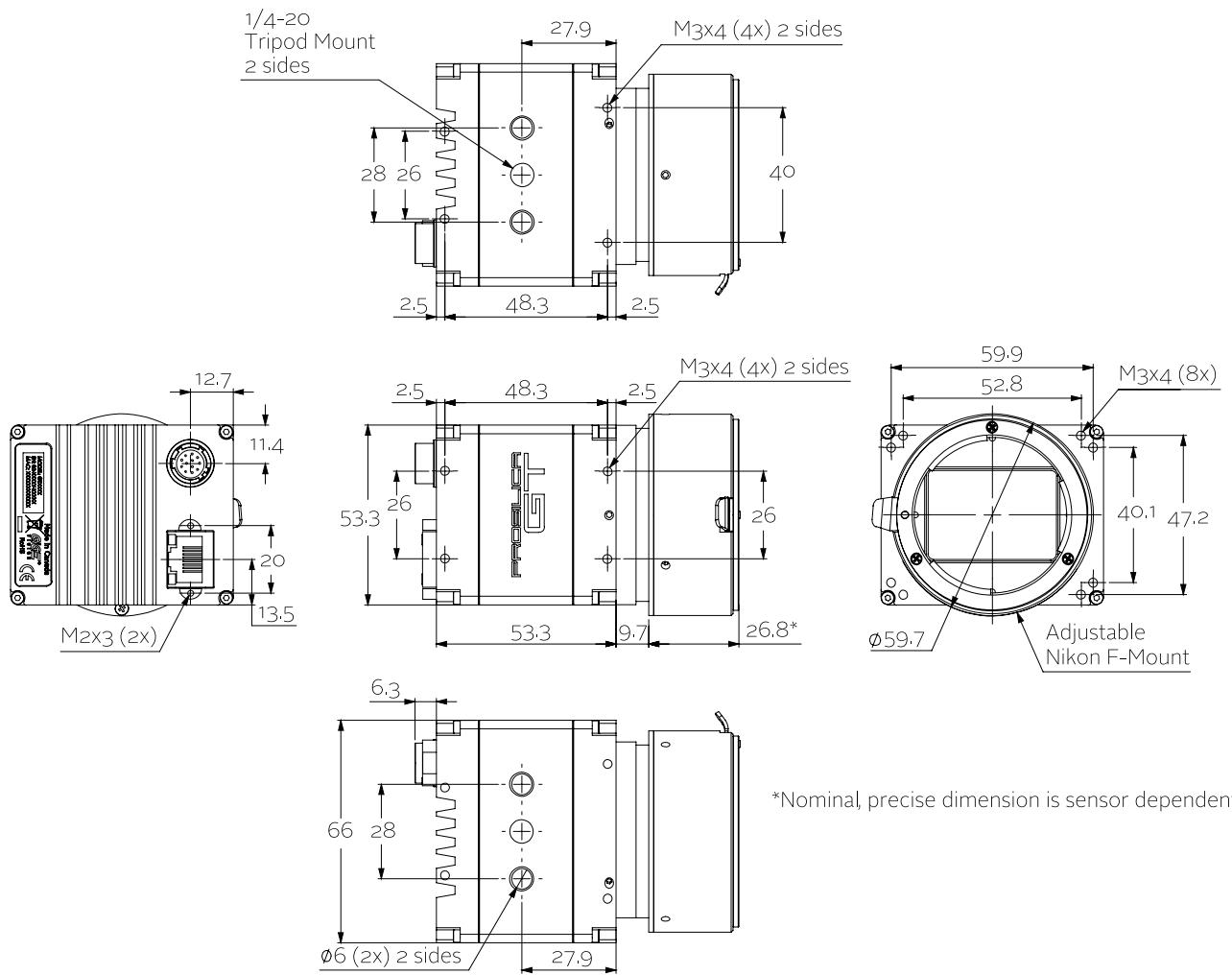
Prosilica GT4907 features include:

- Precision Time Protocol (IEEE 1588)
- Camera temperature monitoring
- Column defect masking



- ROI, separate ROI for auto features
- Binning
- Auto gain (manual gain control: 0 to 32 dB)
- Auto exposure (manual exposure control: 35  $\mu$ s to 26.8 s)
- Auto white balance
- LUTs (look-up tables)
- Gamma
- Hue, saturation, color correction
- StreamBytesPerSecond (easy bandwidth control)
- Stream hold
- Sync out modes: Trigger ready, input, exposing, readout, imaging, strobe, GPO
- Event channel
- Chunk data
- Storable user sets

## Technical drawing



## Applications

Prosilica GT4907 is ideal for a wide range of applications including:



- Outdoor imaging
- Traffic imaging / ITS
- Public security and surveillance
- Industrial inspection
- Machine vision
- Military and space applications