



Emcor[®] ESQ[®] Catalog

www.crenlo.com/emcor | 507-287-3535



Our Commitment

Crenlo's objective is to define our customer's quality requirements, and to produce products and services that meet or exceed those expectations. Crenlo is committed to continuous improvement through education, process advancements and problem prevention.

Emcor® ESQ® Product Line

The Emcors ESQ is an extremely flexible product line, featuring an extensive selection of rack heights, widths, depths, and styles that target your specific design requirements. These enclosures support a mix of computer, data storage, network and security equipment and can be configured in rack or console configurations. Select from a variety of external and internal accessories to complete your design. Modified or custom designs are available by contacting your local sales representative or contacting us directly.

Instant Emcors


Select items from this product line are available in the Instant Emcors 3 day quick ship program. Look for the IE icon: 



Table of Contents

- Overview 3
- Frames 4-16
- Base/Casters 17-21
- Wedges/Turrets 22-29
- Mounting Rails 30-31
- Power 32
- Grounding 33
- Cable Management 34-37
- Lighting 38-39
- Shelves/Drawers 40-53
- Work Surfaces 54-55
- Airflow Management 56-57
- Panels 58-65
- Doors 66-71
- Side Panels 72-73
- Hardware 74-75
- Ordering Guide 76-88

Engineering Drawings

The dimensional drawings that are shown on the following pages are for reference only. Detailed engineering drawings are available upon request.

Overview

Modifications and Customizations

In many instances, the customer can best be served by tailoring the enclosure to their individual specifications. Below is a sampling of the most common modifications.

Overall Foot-print

The chart below shows typical ranges to which this product line can be modified in terms of usable height, depth and width. Standard* sizes are indicated.

| U's | 1U | 3U | 5U | 7U | 9U | 11U | 13U | 15U | 17U | 19U | 21U | 23U | 25U | 27U | 29U | 31U | 33U | 35U | 37U | 39U | 41U | 43U | 45U | 47U | 49U |
|---------------|------|------|------|-------|--------|--------|--------|--------|-------|-------|-------|-------|-------|-------|-------|-------|-------|-------|-------|-------|-------|-------|-------|-------|-------|
| Inches | 1.75 | 5.25 | 8.75 | 12.25 | 15.75 | 19.25 | 22.75 | 26.25 | 29.75 | 33.25 | 36.75 | 40.25 | 43.75 | 47.25 | 50.75 | 54.25 | 57.75 | 61.25 | 64.75 | 68.25 | 71.75 | 75.25 | 78.75 | 82.25 | 85.75 |
| Usable Height | | | | 6U | 10U | 12U | 16U | 20U | 25U | 30U | 35U | 40U | 45U | | | | | | | | | | | | |
| Overall Depth | | | | | 18.500 | 22.000 | 25.500 | 30.750 | | | | | | | | | | | | | | | | | |
| Overall Width | | | | | 21.062 | 26.062 | 32.062 | | | | | | | | | | | | | | | | | | |

*Modifications to the standard foot-print may affect static load ratings, center of gravity and other performance.

Strut Locations:

Struts can be relocated to meet specific customer application needs.

Cut-Outs & Holes:

Cut-outs and holes are available in multiple sizes, shapes and locations on doors, panels, and some frames.

Multiple Doors:

Cabinets can accept multiple doors to segregate / secure select components inside.

Casters:

Specialty casters can accommodate heavy loads, terrains and shock absorption needs.

Ground Studs:

Ground studs may be placed in any location, as needed.

Assembly / Wiring:

Pre-assembly or pre-wiring can be performed during the manufacturing process.

Paint / Decals:

Custom color, texture, ink stamping or silk screen can be applied or incorporated as necessary.

Cable Management:

Wire management accessories can be designed or procured to ease integration and wiring.

Service Panels:

Additional panels can be added to complement customer's routine service needs.

Paint/Finish

Our products are finished in textured powder paint. Powder coating provides a durable high-quality finish. Select from one of nine proprietary color options. Sample kits are available upon request.

Part Numbers

| Color | |
|----------------|----------------|
| Antique White | TX-AWP |
| Neutral | TX-NUP |
| Graystone | TX-GSP |
| Caribbean Blue | TX-CRBP |
| Fawn | TX-FNP |
| Steel | TX-STP |
| Putty | TX-PTP |
| Black | TX-BKP |
| Hi-Tech Gray | TX-HTGP |



Custom Paint/Finish

Custom paint colors or finishes can be accommodated. Please contact us with your requirement. Additional charges may apply.

Touch Up or Refinishing Paint [- e Select items available. Refer to the Instant Emcor reference manual.]

We offer our proprietary paint colors, in a liquid air dry finish, in the following sizes: Pen, 12oz. Aerosol Spray, Quart, Gallon.

Part Numbers

| Color | Paint Pen | 12oz. Aerosol Spray Can | Quart | Gallon |
|----------------|----------------|-------------------------|-----------------|-----------------|
| Antique White | PEN-AW | LAS-AW | LA-AW-Q | LA-AW-G |
| Neutral | PEN-NU | LAS-NU | LA-NU-Q | LA-NU-G |
| Graystone | PEN-GS | LAS-GS | LA-GS-Q | LA-GS-G |
| Caribbean Blue | PEN-CRB | LAS-CRB | LA-CRB-Q | LA-CRB-G |
| Fawn | PEN-FN | LAS-FN | LA-FN-Q | LA-FN-G |
| Steel | PEN-ST | LAS-ST | LA-ST-Q | LA-ST-G |
| Putty | PEN-PT | LAS-PT | LA-PT-Q | LA-PT-G |
| Black | PEN-BK | LAS-BK | LA-BK-Q | LA-BK-G |
| Hi-Tech Gray | PEN-HTG | LAS-HTG | LA-HTG-Q | LA-HTG-G |



Frames

Frame Overview

The following types and sizes of frames are available. Dimensions are overall.

Vertical Frames



| | |
|------------------|---------------------------------|
| 3 Widths | 21.062" (19" EIA Rack Width) |
| | 26.062" (24" EIA Rack Width) |
| | 32.062" (30" EIA Rack Width) |
| 4 Depths | 18.500" (18) |
| | 22.000" (22) |
| | 25.500" (25) |
| | 30.750" (30) |
| 9 Heights | 29.500" (12U Usable Rack Space) |
| | 36.500" (16U Usable Rack Space) |
| | 42.125" (20U Usable Rack Space) |
| | 47.375" (23U Usable Rack Space) |
| | 50.875" (25U Usable Rack Space) |
| | 59.625" (30U Usable Rack Space) |
| | 68.375" (35U Usable Rack Space) |
| | 77.125" (40U Usable Rack Space) |
| | 85.875" (45U Usable Rack Space) |

Wedge frames available.

-WT Style Frames



| | |
|------------------|---------------------------------|
| 3 Widths | 21.062" (19" EIA Rack Width) |
| | 26.062" (24" EIA Rack Width) |
| | 32.062" (30" EIA Rack Width) |
| 4 Depths | 18.500" (18) |
| | 22.000" (22) |
| | 25.500" (25) |
| | 30.750" (30) |
| 2 Heights | 29.500" (12U Usable Rack Space) |
| | 36.500" (16U Usable Rack Space) |

Wedge frames available.

Slope Front Frames



| | |
|------------------------|---------------------------------|
| 3 Widths | 21.062" (19" EIA Rack Width) |
| | 26.062" (24" EIA Rack Width) |
| | 32.062" (30" EIA Rack Width) |
| 3 Base Depths | 22.000" (22) |
| | 25.500" (25) |
| | 30.750" (30) |
| 3 Slope Heights | 13.375" (6U Usable Rack Space) |
| | 20.375" (10U Usable Rack Space) |
| | 27.375" (14U Usable Rack Space) |

Wedge frames available.

Instrument Frames



| | |
|------------------|---------------------------------|
| 3 Widths | 21.062" (19" EIA Rack Width) |
| | 26.062" (24" EIA Rack Width) |
| | 32.062" (30" EIA Rack Width) |
| 4 Depths | 16.587" (16) |
| | 18.867" (18) |
| | 21.837" (21) |
| | 24.117" (24) |
| 3 Heights | 12.562" (6U Usable Rack Space) |
| | 19.562" (10U Usable Rack Space) |
| | 23.062" (12U Usable Rack Space) |

Turrets for use on Top of Frames



| | |
|------------------|------------------------------|
| 3 Widths | 21.062" (19" EIA Rack Width) |
| | 26.062" (24" EIA Rack Width) |
| | 32.062" (30" EIA Rack Width) |
| 3 Depths | 22.000" (22) |
| | 25.500" (25) |
| | 30.750" (30) |
| 3 Degrees | 20° |
| | 25° |
| | 35° |

Turrets for use on the Front of Frames



| | |
|-------------------|---------------------------------|
| 19° Turret | |
| 3 Widths | 21.062" (19" EIA Rack Width) |
| | 26.062" (24" EIA Rack Width) |
| | 32.062" (30" EIA Rack Width) |
| 2 Heights | 17.500" (8U Usable Rack Space) |
| | 24.500" (14U Usable Rack Space) |



| | |
|-------------------|---------------------------------|
| 35° Turret | |
| 3 Widths | 21.062" (19" EIA Rack Width) |
| | 26.062" (24" EIA Rack Width) |
| | 32.062" (30" EIA Rack Width) |
| 1 Height | 17.500" (10U Usable Rack Space) |



| | |
|-------------------|-------------------------------------|
| 55° Turret | |
| 3 Widths | 21.062" (19" EIA Rack Width) |
| | 26.062" (24" EIA Rack Width) |
| | 32.062" (30" EIA Rack Width) |
| 2 Heights | 9.266" (6U & 4U Usable Rack Space) |
| | 11.453" (8U & 5U Usable Rack Space) |

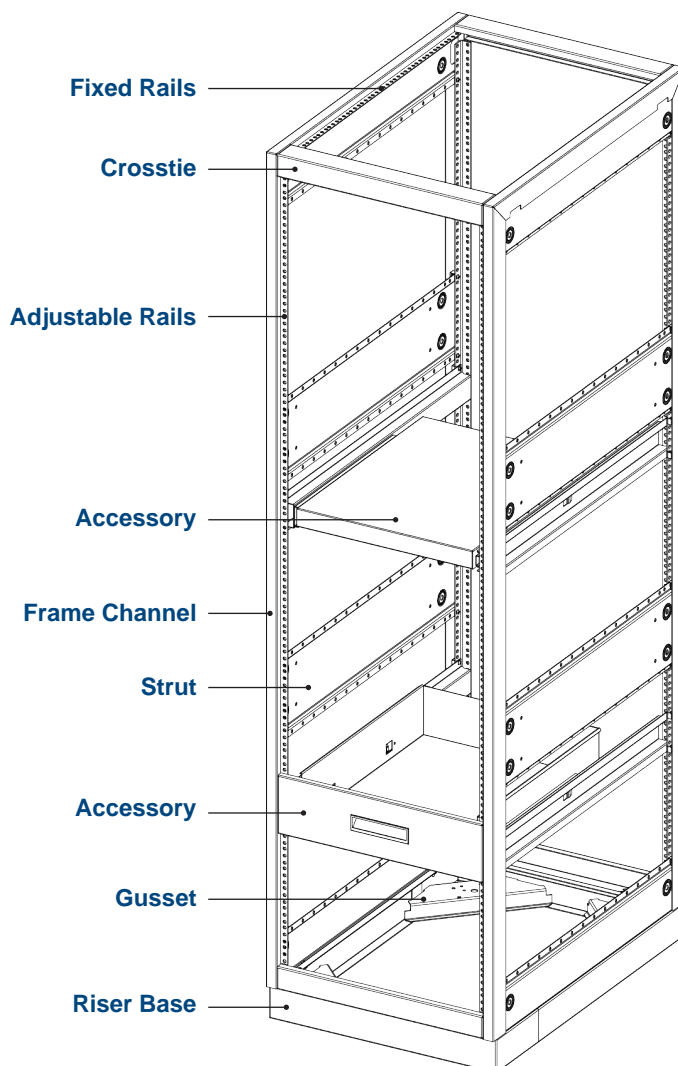
800 lb. Static Load Capacity

ESQ frames are fully welded and can handle 800 lbs. of equipment evenly distributed in the frame.

- 14-gauge steel - Crosstie
- 14-gauge steel - Frame Channel
- 14-gauge steel - Riser Base (Pontoon Base)
- 11-gauge steel - Mounting Rails
- 16-gauge steel - Other Components

All ESQ Frames Include

- Hardware kit
 - Riser Base (Pontoon Base)
 - 2 pair EIA thru-hole adjustable mounting rails
- The rails in the top and slope opening areas of the frames are fixed.*



Hardware Kit Components

Frame Joining Hardware



Extra Panel Mounting Hardware

Quantities vary by Frame type.



Additional hardware may be purchased by contacting the factory.

12U Vertical Frames

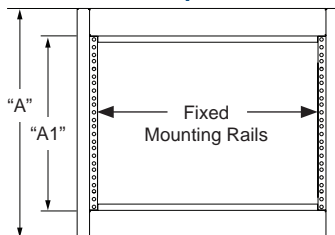
12U Vertical Frames [Select items available. Refer to the Instant Emcor reference manual.]

These vertical frames allow for mounting of standard EIA electronic components. They can be used as a stand alone frame, joined together in a row (joining hardware included), or used in combination with wedge frames. The 3" riser base is included and comes bolted to the frame. Accessories such as shelves, drawers, power, and cable managers can be added per application requirements. The use of a work surface in conjunction with this frame is not recommended. There are purpose built frames with the proper provisions for mounting a work surface available.

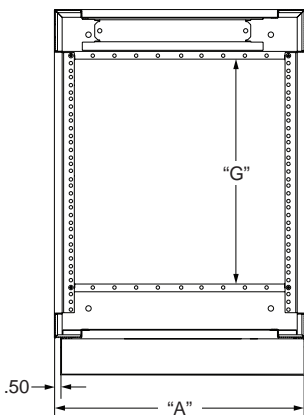
Part Numbers

| 19" EIA Rack Width | | 24" EIA Rack Width | | 30" EIA Rack Width | | "A" Overall Depth | "A1" Top/Bottom Opening | "B" Overall Height | "B1" Usable Height | 12U | Struts | "G" |
|-------------------------|--------|-------------------------|--------|-------------------------|--------|----------------------|-------------------------------|--------------------------|--------------------------|--------|--------|--------|
| "C" Overall Width | | "C" Overall Width | | "C" Overall Width | | | | | | | | |
| SFR-182119 | 21.062 | SFR-182124 | 26.062 | SFR-182130 | 32.062 | 18.500 | 14.000 | 8U | 29.500 | 21.000 | 2 | 18.156 |
| SFR-222119 | 21.062 | SFR-222124 | 26.062 | SFR-222130 | 32.062 | 22.000 | 17.500 | 10U | 29.500 | 21.000 | 2 | 18.156 |
| SFR-252119 | 21.062 | SFR-252124 | 26.062 | SFR-252130 | 32.062 | 25.500 | 21.000 | 12U | 29.500 | 21.000 | 2 | 18.156 |
| SFR-302119 | 21.062 | SFR-302124 | 26.062 | SFR-302130 | 32.062 | 30.750 | 26.250 | 15U | 29.500 | 21.000 | 2 | 18.156 |

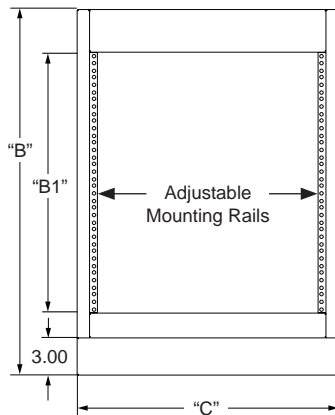
Top View



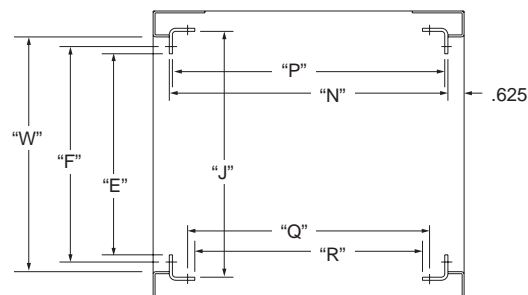
Side View



Front View



Section View



Section View Dimensions

| | "W" | "F" | "E" | "J" | "P" | "N" | "Q" | "R" |
|----------------------|--------|--------|--------|--------|--------|--------|--------|--------|
| 22.00" Overall Depth | | | | | 20.510 | 20.750 | 19.336 | 18.786 |
| 25.50" Overall Depth | | | | | 24.010 | 24.250 | 22.836 | 22.286 |
| 30.75" Overall Depth | | | | | 29.260 | 29.500 | 28.086 | 27.536 |
| 19" EIA Width | 19.062 | 18.310 | 17.760 | 19.484 | | | | |
| 24" EIA Width | 24.062 | 23.310 | 22.760 | 24.484 | | | | |
| 30" EIA Width | 30.062 | 29.310 | 28.760 | 30.484 | | | | |

12U “Desk Height” Vertical Frames with Work Surface Mounting Provisions

12U “Desk Height” Vertical Frames with Work Surface Mounting Provisions

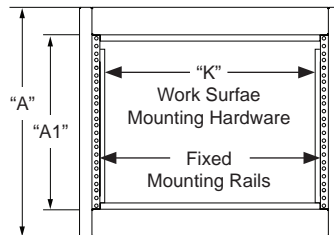
These vertical frames allow for mounting of standard EIA electronic components and include work surface mounting hardware provisions. They can be used individually, joined together in a row (joining hardware included), or used in combination with wedge frames to create “desk height” work station configurations. The 3” riser base is included and comes bolted to the frame. Accessories such as shelves, drawers, power, and cable managers can be added per application requirements. Don’t forget the work surface, which is sold separately.

Part Numbers

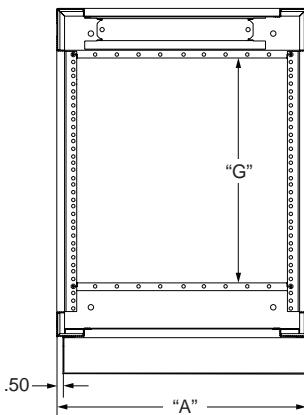
| 19" EIA Rack Width | | 24" EIA Rack Width | | 30" EIA Rack Width | | "A" Overall Depth | "A1" Top/Bottom Opening | "B" Overall Height | "B1" Usable Height | 12U | Struts | "G" |
|--------------------|-------------------------|--------------------|-------------------------|--------------------|-------------------------|-------------------------|-------------------------------|--------------------------|--------------------------|--------|--------|--------|
| | "C" Overall Width | | "C" Overall Width | | "C" Overall Width | | | | | | | |
| SFR-182119-WT | 21.062 | SFR-182124-WT | 26.062 | SFR-182130-WT | 32.062 | 18.500 | 14.000 | 8U | 29.500 | 21.000 | 2 | 18.156 |
| SFR-222119-WT | 21.062 | SFR-222124-WT | 26.062 | SFR-222130-WT | 32.062 | 22.000 | 17.500 | 10U | 29.500 | 21.000 | 2 | 18.156 |
| SFR-252119-WT | 21.062 | SFR-252124-WT | 26.062 | SFR-252130-WT | 32.062 | 25.500 | 21.000 | 12U | 29.500 | 21.000 | 2 | 18.156 |
| SFR-302119-WT | 21.062 | SFR-302124-WT | 26.062 | SFR-302130-WT | 32.062 | 30.750 | 26.250 | 15U | 29.500 | 21.000 | 2 | 18.156 |

"K" Clearance is reduced 3.874" due to work surface mounting hardware.

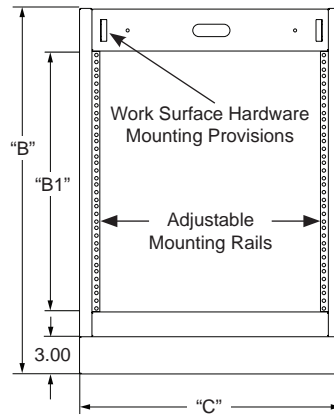
Top View



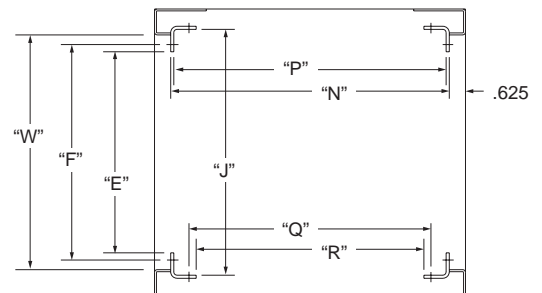
Side View



Front View



Section View



Section View Dimensions

| | "W" | "F" | "E" | "J" | "P" | "N" | "Q" | "R" |
|----------------------|--------|--------|--------|--------|--------|--------|--------|--------|
| 22.00" Overall Depth | | | | | 20.510 | 20.750 | 19.336 | 18.786 |
| 25.50" Overall Depth | | | | | 24.010 | 24.250 | 22.836 | 22.286 |
| 30.75" Overall Depth | | | | | 29.260 | 29.500 | 28.086 | 27.536 |
| 19" EIA Width | 19.062 | 18.310 | 17.760 | 19.484 | | | | |
| 24" EIA Width | 24.062 | 23.310 | 22.760 | 24.484 | | | | |
| 30" EIA Width | 30.062 | 29.310 | 28.760 | 30.484 | | | | |

16U Vertical Frames

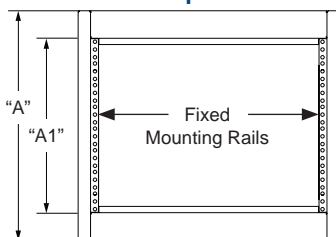
16U Vertical Frames [Select items available. Refer to the Instant Emcor reference manual.]

These vertical frames allow for mounting of standard EIA electronic components. They can be used as a stand alone frame, joined together in a row (joining hardware included), or used in combination with wedge frames. The 3" riser base is included and comes bolted to the frame. Accessories such as shelves, drawers, power, and cable managers can be added per application requirements. The use of a work surface in conjunction with this frame is not recommended. There are purpose built frames with the proper provisions for mounting a work surface available.

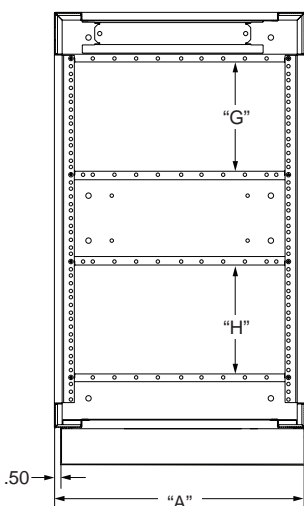
Part Numbers

| 19" EIA Rack Width | | 24" EIA Rack Width | | 30" EIA Rack Width | | "A" | "A1" | "B" | "B1" | Struts | "G" | "H" | | |
|--------------------|----------------------|--------------------|----------------------|--------------------|----------------------|---------------|--------------------|----------------|---------------|--------|-----|-----|-------|-------|
| | "C" Overall Width | | "C" Overall Width | | "C" Overall Width | Overall Depth | Top/Bottom Opening | Overall Height | Usable Height | | | | | |
| SFR-182819 | 21.062 | SFR-182824 | 26.062 | SFR-182830 | 32.062 | 18.500 | 14.000 | 8U | 36.500 | 28.000 | 16U | 3 | 8.188 | 8.781 |
| SFR-222819 | 21.062 | SFR-222824 | 26.062 | SFR-222830 | 32.062 | 22.000 | 17.500 | 10U | 36.500 | 28.000 | 16U | 3 | 8.188 | 8.781 |
| SFR-252819 | 21.062 | SFR-252824 | 26.062 | SFR-252830 | 32.062 | 25.500 | 21.000 | 12U | 36.500 | 28.000 | 16U | 3 | 8.188 | 8.781 |
| SFR-302819 | 21.062 | SFR-302824 | 26.062 | SFR-302830 | 32.062 | 30.750 | 26.250 | 15U | 36.500 | 28.000 | 16U | 3 | 8.188 | 8.781 |

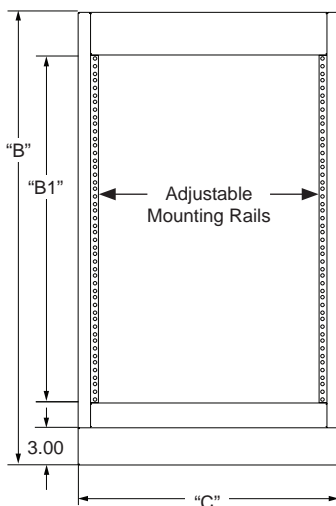
Top View



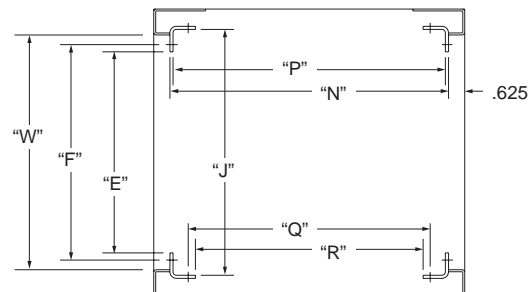
Side View



Front View



Section View



Section View Dimensions

| | "W" | "F" | "E" | "J" | "P" | "N" | "Q" | "R" |
|----------------------|--------|--------|--------|--------|--------|--------|--------|--------|
| 22.00" Overall Depth | | | | | 20.510 | 20.750 | 19.336 | 18.786 |
| 25.50" Overall Depth | | | | | 24.010 | 24.250 | 22.836 | 22.286 |
| 30.75" Overall Depth | | | | | 29.260 | 29.500 | 28.086 | 27.536 |
| 19" EIA Width | 19.062 | 18.310 | 17.760 | 19.484 | | | | |
| 24" EIA Width | 24.062 | 23.310 | 22.760 | 24.484 | | | | |
| 30" EIA Width | 30.062 | 29.310 | 28.760 | 30.484 | | | | |

16U “Counter Height” Vertical Frames with Work Surface Mounting Provisions

16U “Counter Height” Vertical Frames with Work Surface Mounting Provisions

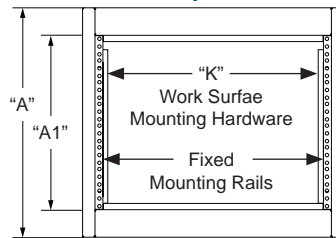
These vertical frames allow for mounting of standard EIA electronic components and include work surface mounting hardware provisions. They can be used individually, joined together in a row (joining hardware included), or used in combination with wedge frames to create “counter height” work station configurations. The 3” riser base is included and comes bolted to the frame. Accessories such as shelves, drawers, power, and cable managers can be added per application requirements. Don't forget the work surface, which is sold separately.

Part Numbers

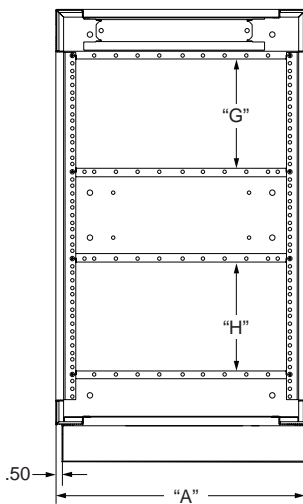
| 19" EIA Rack Width | | 24" EIA Rack Width | | 30" EIA Rack Width | | "A" Overall Depth | "A1" Top/Bottom Opening | "B" Overall Height | "B1" Usable Height | Struts | "G" | "H" | | |
|--------------------|-------------------------|--------------------|-------------------------|--------------------|-------------------------|-------------------------|-------------------------------|--------------------------|--------------------------|--------|-----|-----|-------|-------|
| | "C" Overall Width | | "C" Overall Width | | "C" Overall Width | | | | | | | | | |
| SFR-182819-WT | 21.062 | SFR-182824-WT | 26.062 | SFR-182830-WT | 32.062 | 18.500 | 14.000 | 8U | 36.500 | 28.000 | 16U | 3 | 8.188 | 8.781 |
| SFR-222819-WT | 21.062 | SFR-222824-WT | 26.062 | SFR-222830-WT | 32.062 | 22.000 | 17.500 | 10U | 36.500 | 28.000 | 16U | 3 | 8.188 | 8.781 |
| SFR-252819-WT | 21.062 | SFR-252824-WT | 26.062 | SFR-252830-WT | 32.062 | 25.500 | 21.000 | 12U | 36.500 | 28.000 | 16U | 3 | 8.188 | 8.781 |
| SFR-302819-WT | 21.062 | SFR-302824-WT | 26.062 | SFR-302830-WT | 32.062 | 30.750 | 26.250 | 15U | 36.500 | 28.000 | 16U | 3 | 8.188 | 8.781 |

"K" Clearance is reduced 3.874" due to work surface mounting hardware.

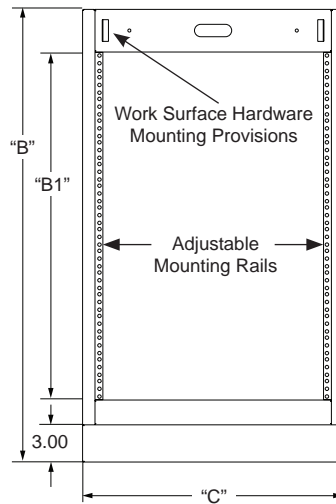
Top View



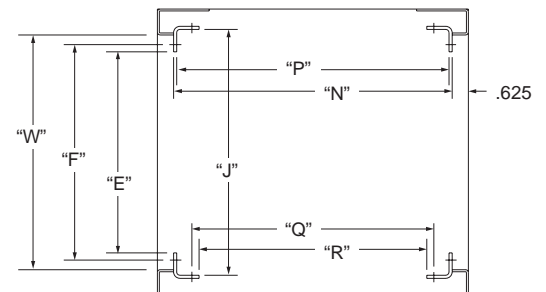
Side View



Front View



Section View



Section View Dimensions

| | "W" | "F" | "E" | "J" | "P" | "N" | "Q" | "R" |
|----------------------|--------|--------|--------|--------|--------|--------|--------|--------|
| 22.00" Overall Depth | | | | | 20.510 | 20.750 | 19.336 | 18.786 |
| 25.50" Overall Depth | | | | | 24.010 | 24.250 | 22.836 | 22.286 |
| 30.75" Overall Depth | | | | | 29.260 | 29.500 | 28.086 | 27.536 |
| 19" EIA Width | 19.062 | 18.310 | 17.760 | 19.484 | | | | |
| 24" EIA Width | 24.062 | 23.310 | 22.760 | 24.484 | | | | |
| 30" EIA Width | 30.062 | 29.310 | 28.760 | 30.484 | | | | |

20U, 23U, 25U, 30U Vertical Frames

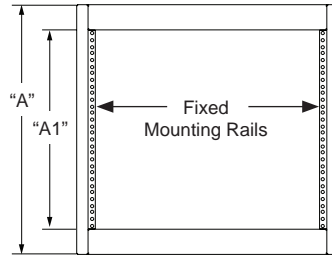
Vertical Frames Select items available. Refer to the Instant Emcor reference manual.

These vertical frames allow for mounting of standard EIA electronic components. They can be used as a stand alone frame, joined together in a row (joining hardware included), or used in combination with wedge frames to create console or work station configurations. The 3" riser base is included and comes bolted to the frame. Accessories such as shelves, drawers, power, cable managers, or even a work surface can be added per application requirements.

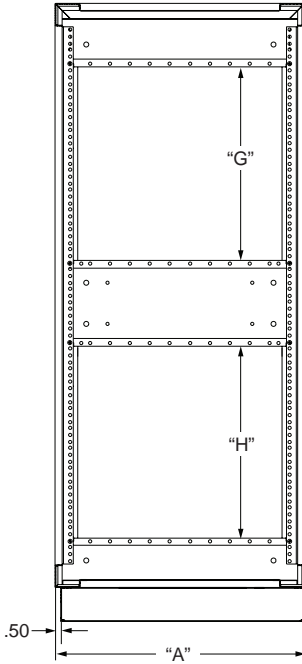
Part Numbers

| 19" EIA Rack Width | | 24" EIA Rack Width | | 30" EIA Rack Width | | | | | | | | | | |
|--------------------|-------------------------|--------------------|-------------------------|--------------------|-------------------------|-------------------------|-------------------------------|--------------------------|--------------------------|--------|--------|-----|--------|--------|
| | "C" Overall Width | | "C" Overall Width | | "C" Overall Width | "A" Overall Depth | "A1" Top/Bottom Opening | "B" Overall Height | "B1" Usable Height | | Struts | "G" | "H" | |
| SFR-223519 | 21.062 | SFR-223524 | 26.062 | SFR-223530 | 32.062 | 22.000 | 17.500 | 10U | 42.125 | 35.000 | 20U | 3 | 11.698 | 9.938 |
| SFR-253519 | 21.062 | SFR-253524 | 26.062 | SFR-253530 | 32.062 | 25.500 | 21.000 | 12U | 42.125 | 35.000 | 20U | 3 | 11.698 | 9.938 |
| SFR-224019 | 21.062 | SFR-224024 | 26.062 | SFR-224030 | 32.062 | 22.000 | 17.500 | 10U | 47.375 | 40.250 | 23U | 3 | 13.938 | 12.938 |
| SFR-254019 | 21.062 | SFR-254024 | 26.062 | SFR-254030 | 32.062 | 25.500 | 21.000 | 12U | 47.375 | 40.250 | 23U | 3 | 13.938 | 12.938 |
| SFR-224319 | 21.062 | SFR-224324 | 26.062 | SFR-224330 | 32.062 | 22.000 | 17.500 | 10U | 50.875 | 43.750 | 25U | 3 | 15.188 | 15.188 |
| SFR-254319 | 21.062 | SFR-254324 | 26.062 | SFR-254330 | 32.062 | 25.500 | 21.000 | 12U | 50.875 | 43.750 | 25U | 3 | 15.188 | 15.188 |
| SFR-304319 | 21.062 | SFR-304324 | 26.062 | SFR-304330 | 32.062 | 30.750 | 26.250 | 15U | 50.875 | 43.750 | 25U | 3 | 15.188 | 15.188 |
| SFR-225219 | 21.062 | SFR-225224 | 26.062 | SFR-225230 | 32.062 | 22.000 | 17.500 | 10U | 59.625 | 52.500 | 30U | 3 | 18.688 | 20.438 |
| SFR-255219 | 21.062 | SFR-255224 | 26.062 | SFR-255230 | 32.062 | 25.500 | 21.000 | 12U | 59.625 | 52.500 | 30U | 3 | 18.688 | 20.438 |
| SFR-305219 | 21.062 | SFR-305224 | 26.062 | SFR-305230 | 32.062 | 30.750 | 26.250 | 15U | 59.625 | 52.500 | 30U | 3 | 18.688 | 20.438 |

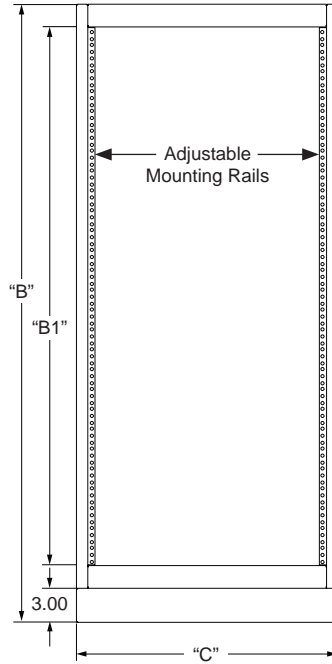
Top View



Side View



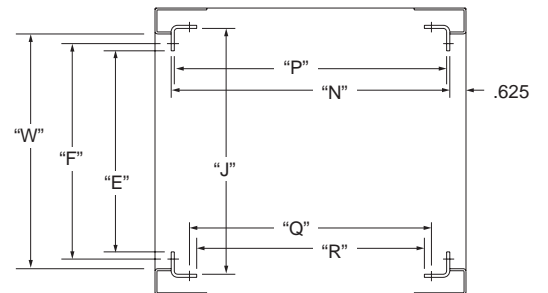
Front View



Section View Dimensions

| | "W" | "F" | "E" | "J" | "P" | "N" | "Q" | "R" |
|----------------------|--------|--------|--------|--------|--------|--------|--------|--------|
| 22.00" Overall Depth | | | | | 20.510 | 20.750 | 19.336 | 18.786 |
| 25.50" Overall Depth | | | | | 24.010 | 24.250 | 22.836 | 22.286 |
| 30.75" Overall Depth | | | | | 29.260 | 29.500 | 28.086 | 27.536 |
| 19" EIA Width | 19.062 | 18.310 | 17.760 | 19.484 | | | | |
| 24" EIA Width | 24.062 | 23.310 | 22.760 | 24.484 | | | | |
| 30" EIA Width | 30.062 | 29.310 | 28.760 | 30.484 | | | | |

Section View



35U, 40U, 45U Vertical Frames

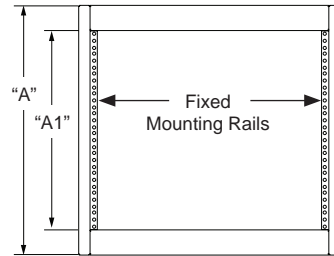
Vertical Frames with 4 Struts [Select items available. Refer to the Instant Emcor reference manual.]

These vertical frames allow for mounting of standard EIA electronic components. They can be used as a stand alone frame, joined together in a row (joining hardware included), or used in combination with wedge frames to create console or work station configurations. The 3" riser base is included and comes bolted to the frame. Accessories such as shelves, drawers, power, cable managers, or even a work surface can be added per application requirements.

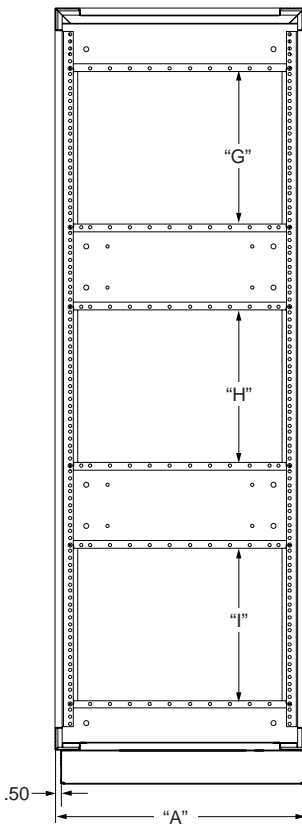
Part Numbers

| 19" EIA Rack Width | | 24" EIA Rack Width | | 30" EIA Rack Width | | "A" Overall Depth | "A1" Top/Bottom Opening | "B" Overall Height | "B1" Usable Height | 35U | 40U | 45U | Struts | "G" | "H" | "I" |
|-------------------------|-------------------------|-------------------------|-------------------------|-------------------------|-------------------------|-------------------------|-------------------------------|--------------------------|--------------------------|--------|-----|-----|--------|--------|--------|--------|
| "C" Overall Width | "C" Overall Width | "C" Overall Width | "C" Overall Width | "C" Overall Width | "C" Overall Width | | | | | | | | | | | |
| SFR-226119 | 21.062 | SFR-226124 | 26.062 | SFR-226130 | 32.062 | 22.000 | 17.500 | 10U | 68.375 | 61.250 | 35U | | 4 | 13.438 | 13.438 | 13.438 |
| SFR-256119 | 21.062 | SFR-256124 | 26.062 | SFR-256130 | 32.062 | 25.500 | 21.000 | 12U | 68.375 | 61.250 | 35U | | 4 | 13.438 | 13.438 | 13.438 |
| SFR-306119 | 21.062 | SFR-306124 | 26.062 | SFR-306130 | 32.062 | 30.750 | 26.250 | 15U | 68.375 | 61.250 | 35U | | 4 | 13.438 | 13.438 | 13.438 |
| SFR-227019 | 21.062 | SFR-227024 | 26.062 | SFR-227030 | 32.062 | 22.000 | 17.500 | 10U | 77.125 | 70.000 | 40U | | 4 | 16.938 | 15.188 | 16.938 |
| SFR-257019 | 21.062 | SFR-257024 | 26.062 | SFR-257030 | 32.062 | 25.500 | 21.000 | 12U | 77.125 | 70.000 | 40U | | 4 | 16.938 | 15.188 | 16.938 |
| SFR-307019 | 21.062 | SFR-307024 | 26.062 | SFR-307030 | 32.062 | 30.750 | 26.250 | 15U | 77.125 | 70.000 | 40U | | 4 | 16.938 | 15.188 | 16.938 |
| SFR-227819 | 21.062 | SFR-227824 | 26.062 | SFR-227830 | 32.062 | 22.000 | 17.500 | 10U | 85.875 | 78.750 | 45U | | 4 | 18.688 | 20.438 | 16.685 |
| SFR-257819 | 21.062 | SFR-257824 | 26.062 | SFR-257830 | 32.062 | 25.500 | 21.000 | 12U | 85.875 | 78.750 | 45U | | 4 | 18.688 | 20.438 | 16.685 |
| SFR-307819 | 21.062 | SFR-307824 | 26.062 | SFR-307830 | 32.062 | 30.750 | 26.250 | 15U | 85.875 | 78.750 | 45U | | 4 | 18.688 | 20.438 | 16.685 |

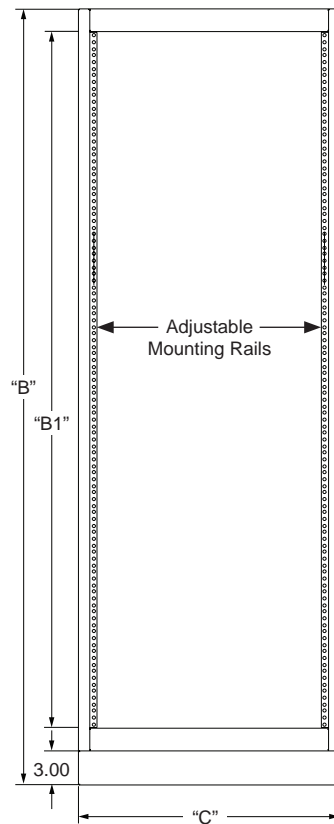
Top View



Side View



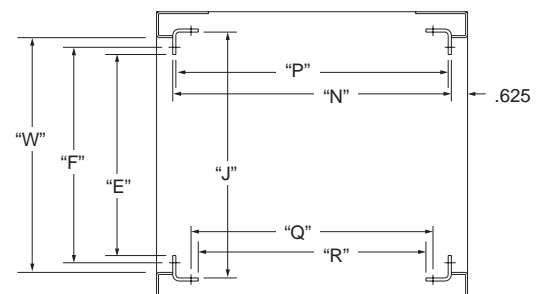
Front View



Section View Dimensions

| | "W" | "F" | "E" | "J" | "P" | "N" | "Q" | "R" |
|----------------------|--------|--------|--------|--------|--------|--------|--------|--------|
| 22.00" Overall Depth | | | | | 20.510 | 20.750 | 19.336 | 18.786 |
| 25.50" Overall Depth | | | | | 24.010 | 24.250 | 22.836 | 22.286 |
| 30.75" Overall Depth | | | | | 29.260 | 29.500 | 28.086 | 27.536 |
| 19" EIA Width | 19.062 | 18.310 | 17.760 | 19.484 | | | | |
| 24" EIA Width | 24.062 | 23.310 | 22.760 | 24.484 | | | | |
| 30" EIA Width | 30.062 | 29.310 | 28.760 | 30.484 | | | | |

Section View



Slope Front Frames (14U Slope Opening)

Slope Front Frames with a 14U Slope Opening

Slope front frames allow for mounting of standard EIA electronic components, controls, or interface equipment. Slope front frames with a 14U slope opening can be used as a stand alone frame, joined together in a row (joining hardware included), or used in combination with wedge frames to create console or work station configurations. The 3" riser base is included and comes bolted to the frame. Accessories such as shelves, drawers, or even a work surface can be added per application requirements. Add an instrument frame and/or a riser frame on the top of the slope front frame for even more rack mount capacity.

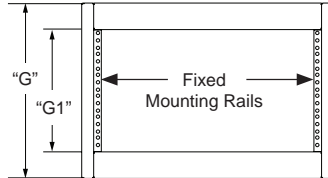
Part Numbers

| 19" EIA Rack Width | | Depth | | | | | Height | | | | Slope Area | | | | | | | |
|--------------------|----------------------|---------------------|----------------------|--------------------|---------------------------|----------------------|----------------------|---------------------|---------------------|-----------------------|-----------------------|------------------|------------------|--------|--------|-----|--------|--------|
| | "C" Overall Width | "A" Overall Base | Bottom Panel Opening | "G" Overall Top | "G1" Top Panel Opening | "M" Overall Front | "M1" Usable Front | "B" Overall Rear | "B1" Usable Rear | "D" Overall Height | "D1" Usable Height | "X" Max Depth | "Y" Max Depth | | | | | |
| SFRS-222419 | 21.062 | 22.000 | 17.500 | 10U | 13.087 | 8.750 | 5U | 27.688 | 24.500 | 14U | 56.578 | 49.000 | 28U | 27.375 | 24.500 | 14U | 13.063 | 17.281 |
| SFRS-252419 | 21.062 | 25.500 | 21.000 | 12U | 16.587 | 12.250 | 7U | 27.688 | 24.500 | 14U | 56.578 | 49.000 | 28U | 27.375 | 24.500 | 14U | 16.750 | 21.000 |
| SFRS-302419 | 21.062 | 30.750 | 26.250 | 15U | 21.837 | 17.500 | 10U | 27.688 | 24.500 | 14U | 56.578 | 49.000 | 28U | 27.375 | 24.500 | 14U | 22.188 | 26.500 |

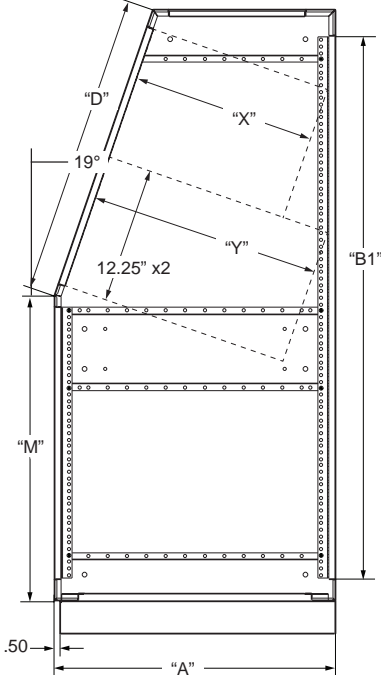
| 24" EIA Rack Width | | Depth | | | | | Height | | | | Slope Area | | | | | | | |
|--------------------|----------------------|---------------------|----------------------|--------------------|---------------------------|----------------------|----------------------|---------------------|---------------------|-----------------------|-----------------------|------------------|------------------|--------|--------|-----|--------|--------|
| | "C" Overall Width | "A" Overall Base | Bottom Panel Opening | "G" Overall Top | "G1" Top Panel Opening | "M" Overall Front | "M1" Usable Front | "B" Overall Rear | "B1" Usable Rear | "D" Overall Height | "D1" Usable Height | "X" Max Depth | "Y" Max Depth | | | | | |
| SFRS-222424 | 26.062 | 22.000 | 17.500 | 10U | 13.087 | 8.750 | 5U | 27.688 | 24.500 | 14U | 56.578 | 49.000 | 28U | 27.375 | 24.500 | 14U | 13.063 | 17.281 |
| SFRS-252424 | 26.062 | 25.500 | 21.000 | 12U | 16.587 | 12.250 | 7U | 27.688 | 24.500 | 14U | 56.578 | 49.000 | 28U | 27.375 | 24.500 | 14U | 16.750 | 21.000 |
| SFRS-302424 | 26.062 | 30.750 | 26.250 | 15U | 21.837 | 17.500 | 10U | 27.688 | 24.500 | 14U | 56.578 | 49.000 | 28U | 27.375 | 24.500 | 14U | 22.188 | 26.500 |

| 30" EIA Rack Width | | Depth | | | | | Height | | | | Slope Area | | | | | | | |
|--------------------|----------------------|---------------------|----------------------|--------------------|---------------------------|----------------------|----------------------|---------------------|---------------------|-----------------------|-----------------------|------------------|------------------|--------|--------|-----|--------|--------|
| | "C" Overall Width | "A" Overall Base | Bottom Panel Opening | "G" Overall Top | "G1" Top Panel Opening | "M" Overall Front | "M1" Usable Front | "B" Overall Rear | "B1" Usable Rear | "D" Overall Height | "D1" Usable Height | "X" Max Depth | "Y" Max Depth | | | | | |
| SFRS-222430 | 32.062 | 22.000 | 17.500 | 10U | 13.087 | 8.750 | 5U | 27.688 | 24.500 | 14U | 56.578 | 49.000 | 28U | 27.375 | 24.500 | 14U | 13.063 | 17.281 |
| SFRS-252430 | 32.062 | 25.500 | 21.000 | 12U | 16.587 | 12.250 | 7U | 27.688 | 24.500 | 14U | 56.578 | 49.000 | 28U | 27.375 | 24.500 | 14U | 16.750 | 21.000 |

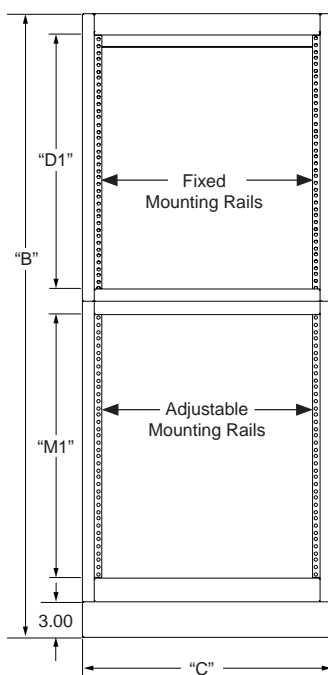
Top View



Side View



Front View



Slope Front Frames (10U Slope Opening)

Slope Front Frames with a 10U Slope Opening

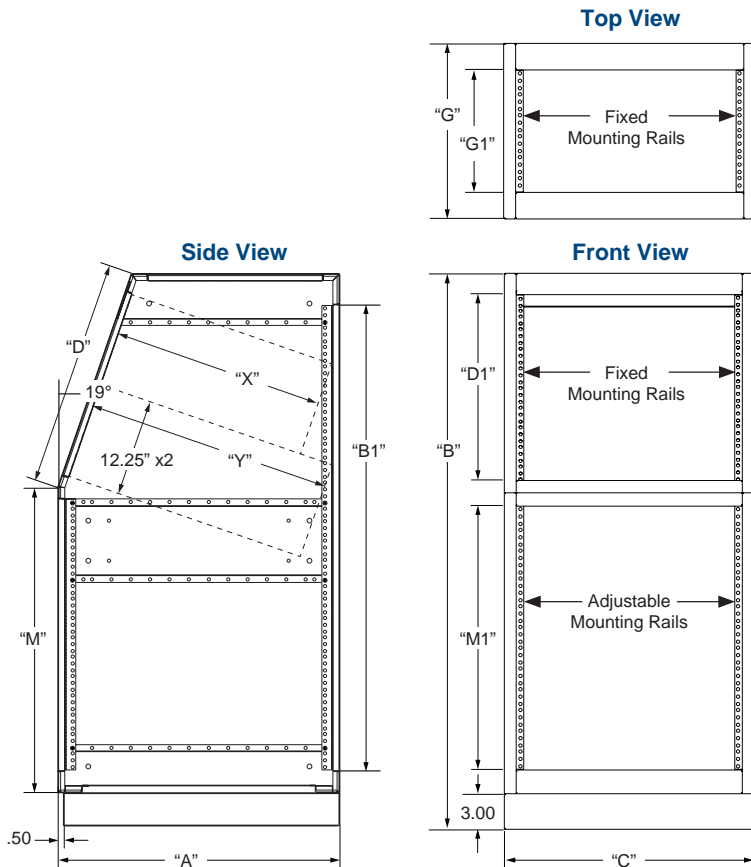
Slope front frames allow for mounting of standard EIA electronic components, controls, or interface equipment. Slope front frames with a 10U slope opening can be used as a stand alone frame, joined together in a row (joining hardware included), or used in combination with wedge frames to create console or work station configurations. The 3" riser base is included and comes bolted to the frame. Accessories such as shelves, drawers, or even a work surface can be added per application requirements. Add an instrument frame and/or a riser frame on the top of the slope front frame for even more rack mount capacity.

Part Numbers

| 19" EIA Rack Width | | Depth | | | | | Height | | | | Slope Area | | | | | | | |
|--------------------|----------------------|---------------------|----------------------|--------------------|---------------------------|----------------------|----------------------|---------------------|---------------------|-----------------------|-----------------------|------------------|------------------|--------|--------|-----|--------|--------|
| | "C" Overall Width | "A" Overall Base | Bottom Panel Opening | "G" Overall Top | "G1" Top Panel Opening | "M" Overall Front | "M1" Usable Front | "B" Overall Rear | "B1" Usable Rear | "D" Overall Height | "D1" Usable Height | "X" Max Depth | "Y" Max Depth | | | | | |
| SFRS-221719 | 21.062 | 22.000 | 17.500 | 10U | 15.367 | 12.250 | 7U | 27.688 | 24.500 | 14U | 49.953 | 42.000 | 24U | 20.375 | 17.500 | 10U | 15.344 | 18.375 |
| SFRS-251719 | 21.062 | 25.500 | 21.000 | 12U | 18.867 | 15.750 | 9U | 27.688 | 24.500 | 14U | 49.953 | 42.000 | 24U | 20.375 | 17.500 | 10U | 19.031 | 22.063 |
| SFRS-301719 | 21.062 | 30.750 | 26.250 | 15U | 24.117 | 21.000 | 12U | 27.688 | 24.500 | 14U | 49.953 | 42.000 | 24U | 20.375 | 17.500 | 10U | 24.563 | 27.625 |

| 24" EIA Rack Width | | Depth | | | | | Height | | | | Slope Area | | | | | | | |
|--------------------|----------------------|---------------------|----------------------|--------------------|---------------------------|----------------------|----------------------|---------------------|---------------------|-----------------------|-----------------------|------------------|------------------|--------|--------|-----|--------|--------|
| | "C" Overall Width | "A" Overall Base | Bottom Panel Opening | "G" Overall Top | "G1" Top Panel Opening | "M" Overall Front | "M1" Usable Front | "B" Overall Rear | "B1" Usable Rear | "D" Overall Height | "D1" Usable Height | "X" Max Depth | "Y" Max Depth | | | | | |
| SFRS-221724 | 26.062 | 22.000 | 17.500 | 10U | 15.367 | 12.250 | 7U | 27.688 | 24.500 | 14U | 49.953 | 42.000 | 24U | 20.375 | 17.500 | 10U | 15.344 | 18.375 |
| SFRS-251724 | 26.062 | 25.500 | 21.000 | 12U | 18.867 | 15.750 | 9U | 27.688 | 24.500 | 14U | 49.953 | 42.000 | 24U | 20.375 | 17.500 | 10U | 19.031 | 22.063 |
| SFRS-301724 | 26.062 | 30.750 | 26.250 | 15U | 24.117 | 21.000 | 12U | 27.688 | 24.500 | 14U | 49.953 | 42.000 | 24U | 20.375 | 17.500 | 10U | 24.563 | 27.625 |

| 30" EIA Rack Width | | Depth | | | | | Height | | | | Slope Area | | | | | | | |
|--------------------|----------------------|---------------------|----------------------|--------------------|---------------------------|----------------------|----------------------|---------------------|---------------------|-----------------------|-----------------------|------------------|------------------|--------|--------|-----|--------|--------|
| | "C" Overall Width | "A" Overall Base | Bottom Panel Opening | "G" Overall Top | "G1" Top Panel Opening | "M" Overall Front | "M1" Usable Front | "B" Overall Rear | "B1" Usable Rear | "D" Overall Height | "D1" Usable Height | "X" Max Depth | "Y" Max Depth | | | | | |
| SFRS-221730 | 32.062 | 22.000 | 17.500 | 10U | 15.367 | 12.250 | 7U | 27.688 | 24.500 | 14U | 49.953 | 42.000 | 24U | 20.375 | 17.500 | 10U | 15.344 | 18.375 |
| SFRS-251730 | 32.062 | 25.500 | 21.000 | 12U | 18.867 | 15.750 | 9U | 27.688 | 24.500 | 14U | 49.953 | 42.000 | 24U | 20.375 | 17.500 | 10U | 19.031 | 22.063 |



Slope Front Frames (6U Slope Opening)

Slope Front Frames with a 6U Slope Opening

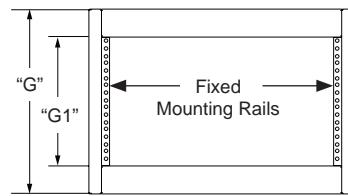
Slope front frames allow for mounting of standard EIA electronic components, controls, or interface equipment. Slope front frames with a 6U slope opening can be used as a stand alone frame or joined together in a row (joining hardware included) to create console configurations. The 3" riser base is included and comes bolted to the frame. Accessories such as shelves, drawers, or even a work surface can be added per application requirements. Wedge frames and instrument frames are not compatible.

Part Numbers

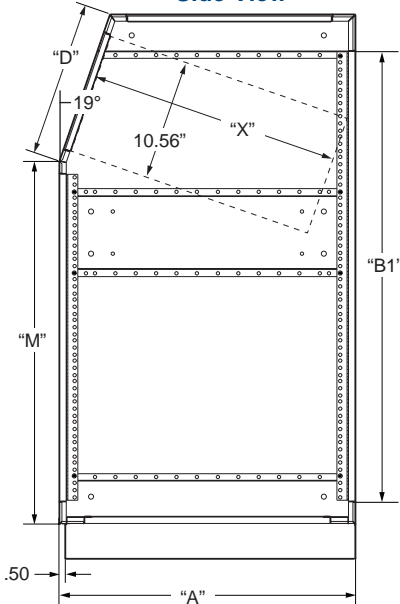
| 19" EIA Rack Width | | Depth | | | | | | Height | | | | Slope Area | | | | | |
|--------------------|----------------------|---------------------|----------------------|--------------------|---------------------------|--------|----------------------|----------------------|---------------------|---------------------|--------|-----------------------|-----------------------|------------------|--------|----|--------|
| | "C" Overall Width | "A" Overall Base | Bottom Panel Opening | "G" Overall Top | "G1" Top Panel Opening | | "M" Overall Front | "M1" Usable Front | "B" Overall Rear | "B1" Usable Rear | | "D" Overall Height | "D1" Usable Height | "X" Max Depth | | | |
| SFRS-221019 | 21.062 | 22.000 | 17.500 | 10U | 17.646 | 14.000 | 8U | 31.198 | 28.000 | 16U | 46.844 | 38.500 | 22U | 13.375 | 10.500 | 6U | 17.750 |
| SFRS-251019 | 21.062 | 25.500 | 21.000 | 12U | 21.146 | 17.500 | 10U | 31.198 | 28.000 | 16U | 46.844 | 38.500 | 22U | 13.375 | 10.500 | 6U | 21.438 |

| 24" EIA Rack Width | | Depth | | | | | | Height | | | | Slope Area | | | | | |
|--------------------|----------------------|---------------------|----------------------|--------------------|---------------------------|--------|----------------------|----------------------|---------------------|---------------------|--------|-----------------------|-----------------------|------------------|--------|----|--------|
| | "C" Overall Width | "A" Overall Base | Bottom Panel Opening | "G" Overall Top | "G1" Top Panel Opening | | "M" Overall Front | "M1" Usable Front | "B" Overall Rear | "B1" Usable Rear | | "D" Overall Height | "D1" Usable Height | "X" Max Depth | | | |
| SFRS-221024 | 26.062 | 22.000 | 17.500 | 10U | 17.646 | 14.000 | 8U | 31.198 | 28.000 | 16U | 46.844 | 38.500 | 22U | 13.375 | 10.500 | 6U | 17.750 |
| SFRS-251024 | 26.062 | 25.500 | 21.000 | 12U | 21.146 | 17.500 | 10U | 31.198 | 28.000 | 16U | 46.844 | 38.500 | 22U | 13.375 | 10.500 | 6U | 21.438 |

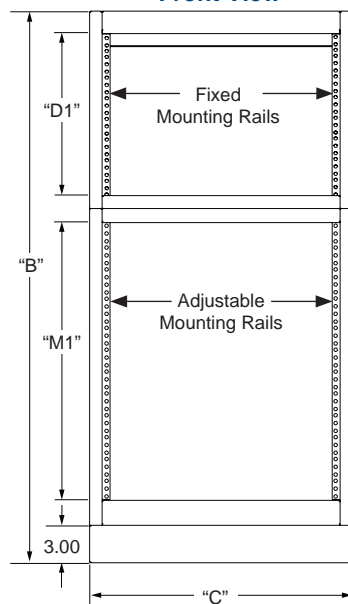
Top View



Side View



Front View



Riser Base (Pontoon Base)

Riser Base (Pontoon Base)

A 3" riser base is supplied with each vertical and slope front frame to accommodate caster or leveler mounting. The riser base can be flipped over and used for floor tie down applications, or can be removed if desired. Since riser bases are mounted at the factory, these special requests must be specified at the time of order placement.

Note: If a riser base (pontoon base) with a duplex outlet is required, two things must be done:

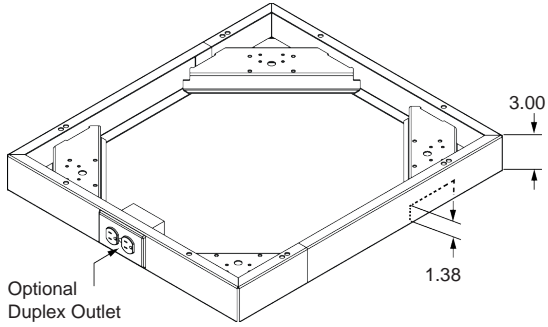
1. The standard riser base that is supplied with the frame must be removed. To do this add -LPB to the frame part number.
2. Add the riser base with the outlet provisions as a separate line item. Indicate if the outlet is to face front or rear.

Part Numbers

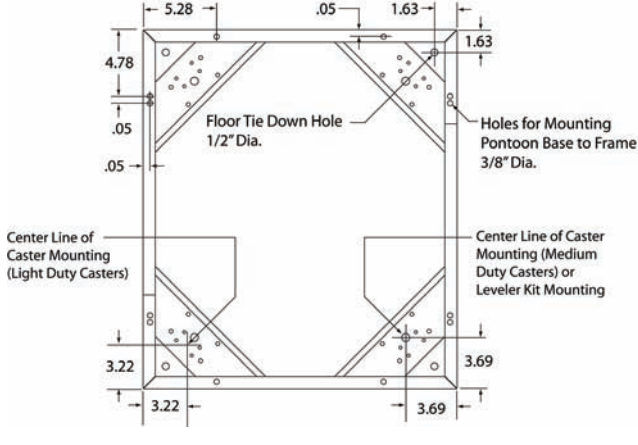
| 19" EIA Width | | Use w/ Frames w/ this Overall Depth |
|---------------|-------------|-------------------------------------|
| No Outlet | With Outlet | |
| SPB-1819 | SPB-1819-DO | 18.500 |
| SPB-2219 | SPB-2219-DO | 22.000 |
| SPB-2519 | SPB-2519-DO | 25.500 |
| SPB-3019 | SPB-3019-DO | 30.750 |

| 24" EIA Width | | Use w/ Frames w/ this Overall Depth |
|---------------|-------------|-------------------------------------|
| No Outlet | With Outlet | |
| SPB-1824 | SPB-1824-DO | 18.500 |
| SPB-2224 | SPB-2224-DO | 22.000 |
| SPB-2524 | SPB-2524-DO | 25.500 |
| SPB-3024 | SPB-3024-DO | 30.750 |

| 30" EIA Width | | Use w/ Frames w/ this Overall Depth |
|---------------|-------------|-------------------------------------|
| No Outlet | With Outlet | |
| SPB-1830 | SPB-1830-DO | 18.500 |
| SPB-2230 | SPB-2230-DO | 22.000 |
| SPB-2530 | SPB-2530-DO | 25.500 |
| SPB-3030 | SPB-3030-DO | 30.750 |



Riser (Pontoon Base)
[14-gauge steel]



Riser Bottom View Detail

Anti-tip/Caster Dolly Base

Anti-tip/Caster Dolly

This base is most commonly used for anti-tip requirements but can be used as a caster dolly by adding the optional casters listed below. The base replaces the 3" riser and mounts flush to sides of the frame upon which it is mounted. It is designed to overhang the depth of the frame 8.5 inches.

Note: If an anti-tip/caster dolly base required, two things must be done:

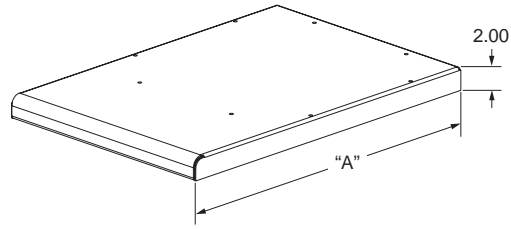
1. The standard riser base that is supplied with the frame must be removed. To do this add -LPB to the frame part number.
2. Add the anti-tip/caster dolly base as a separate line item.

Part Numbers

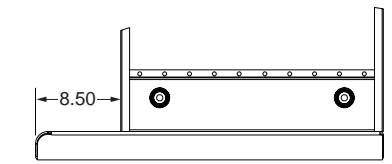
| 19" EIA Width | "A" Overall Depth | Use w/ Frames w/ this Overall Depth |
|---------------|-------------------|-------------------------------------|
| SPB-2219-AT | 30.500 | 22.000 |
| SPB-2519-AT | 34.000 | 25.500 |
| SPB-3019-AT | 39.250 | 30.750 |

| 24" EIA Width | "A" Overall Depth | Use w/ Frames w/ this Overall Depth |
|---------------|-------------------|-------------------------------------|
| SPB-2224-AT | 30.500 | 22.000 |
| SPB-2524-AT | 34.000 | 25.500 |
| SPB-3024-AT | 39.250 | 30.750 |

| 30" EIA Width | "A" Overall Depth | Use w/ Frames w/ this Overall Depth |
|---------------|-------------------|-------------------------------------|
| SPB-2230-AT | 30.500 | 22.000 |
| SPB-2530-AT | 34.000 | 25.500 |



Anti-tip/Caster Dolly Base



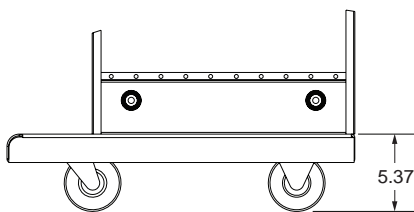
Frame with Base installed (Anti-tip)

Casters to convert Anti-tip base into Caster Dolly

Choose from rigid or swivel casters to convert the Anti-tip base into a Caster Dolly. The casters (which must be ordered separately) are positioned by the outer edge of the base at each corner. An optional floor lock is also available. The floor lock mounts to the bottom of the Anti Tip / Caster Dolly. It holds the enclosure firmly in position when activated. The lock is easily operated by foot.

Casters/Floor Lock

| Part Number | Image | Load Rating | Swivel Style | Rigid Style | Locking | Non-Locking | Single Wheel | Dual Wheel | Description | Sold As | Where Used |
|-------------|-------|--|--------------|-------------|---------|-------------|--------------|------------|------------------|----------|------------------------------|
| HW-4989 | | 300 lbs. per caster | | x | | x | x | | 4" Polypropylene | Pair (2) | Anti Tip / Caster Dolly Only |
| HW-4999 | | 300 lbs. per caster | x | | | x | x | | 4" Polypropylene | Pair (2) | Anti Tip / Caster Dolly Only |
| HW-400 | | The floor lock mounts to the bottom of the Anti Tip / Caster Dolly. It holds the enclosure firmly in position when activated. The lock is easily operated by foot. | | | | | | | | Each (1) | Anti Tip / Caster Dolly Only |



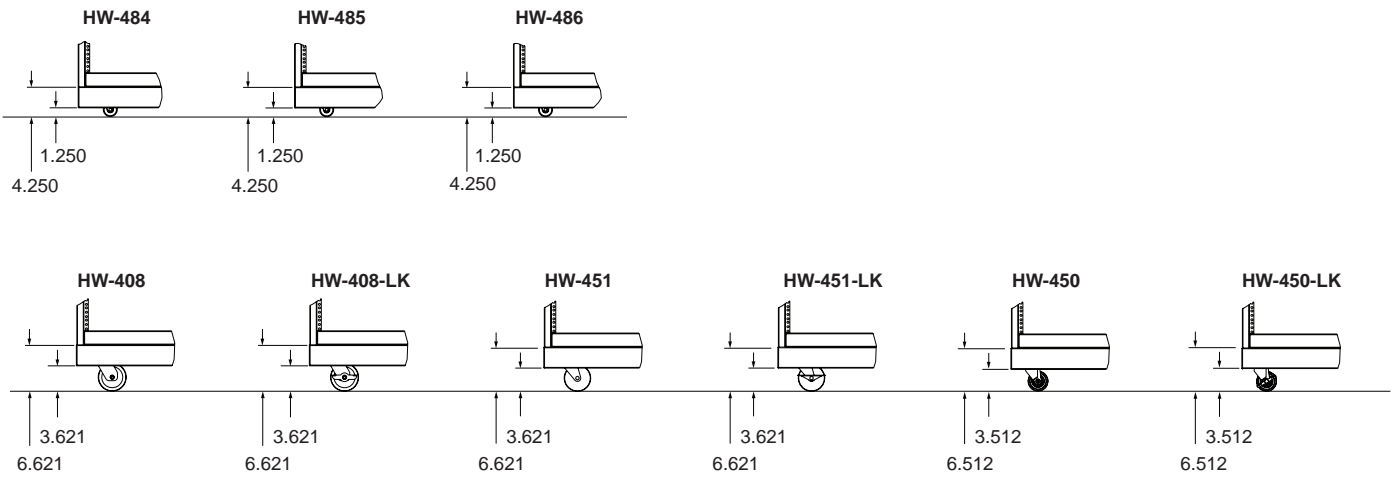
Frame with base and Optional Casters Installed. (Caster Dolly)

Casters [- e Select items available. Refer to the Instant Emcor reference manual.]

A variety of casters with different weight load capacities are available. All casters **must be** used in conjunction with the riser base.

| Part Number | Image | Load Rating | Caster Style | | | | | | Description | Sold As | Where Used |
|-------------|-------|---------------------|--------------|-------------|---------|-------------|--------------|------------|------------------|----------|--|
| | | | Swivel Style | Rigid Style | Locking | Non-Locking | Single Wheel | Dual Wheel | | | |
| HW-484 | | 75 lbs. per caster | x | | | x | x | | 2" Soft Rubber | Set (4) | Directly on Riser Base (pontoon base) Only |
| HW-485 | | 75 lbs. per caster | x | | | x | x | | 2" Polypropylene | Set (4) | Directly on Riser Base (pontoon base) Only |
| HW-486 | | 180 lbs. per caster | x | | | x | | x | 2" Hard Rubber | Set (4) | Directly on Riser Base (pontoon base) Only |
| HW-408 | | 200 lbs. per caster | x | | | x | x | | 4" Soft Rubber | Each (1) | Directly on Riser Base (pontoon base) Only |
| HW-408-LK | | 200 lbs. per caster | x | | x | | x | | 4" Soft Rubber | Each (1) | Directly on Riser Base (pontoon base) Only |
| HW-451 | | 375 lbs. per caster | x | | | x | x | | 4" Hard Rubber | Each (1) | Directly on Riser Base (pontoon base) Only |
| HW-451-LK | | 375 lbs. per caster | x | | x | | x | | 4" Hard Rubber | Each (1) | Directly on Riser Base (pontoon base) Only |
| HW-450 | | 350 lbs. per caster | x | | | x | x | | 3" Polypropylene | Each (1) | Directly on Riser Base (pontoon base) Only |
| HW-450-LK | | 350 lbs. per caster | x | | x | | x | | 3" Polypropylene | Each (1) | Directly on Riser Base (pontoon base) Only |

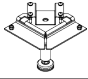


Height added when mounted to the Riser Base.



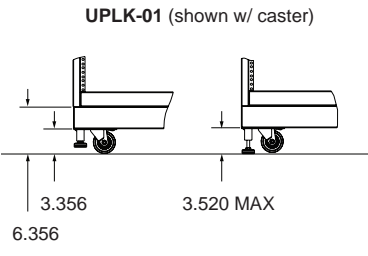
Caster/Leveler Combination Kits

Caster/Leveler Combination Kits [ Select items available. Refer to the Instant Emcor reference manual.]

Caster/Leveler Combination kits **must be** used in conjunction with the riser base. The kits include the levelers. The casters are sold separately, choose from locking or non-locking casters.

| Leveler Kits - Caster Combo | | Description | | | | | | Sold As | Where Used | | |
|---------------------------------|---|--|--------------|-------------|---------|-------------|--------------|------------|--|----------|---|
| Part Number UPLK-01 |  | Leveler Kit - Casters Optional Includes Leveling Legs: HW-405 Casters Sold Separately: HW-450 or HW-450-LK | | | | | | Set (4) | Directly on Riser Base (pontoon base) Only | | |
| Optional Casters | | Load Rating | Caster Style | | | | | | Description | Sold As | Where Used |
| Part Number HW-450 |  | 350 lbs. per caster | x | | | x | x | | 3" Polypropylene | Each (1) | In Conjunction with UPLK-01 Leveler Kit |
| Part Number HW-450-LK |  | 350 lbs. per caster | x | | x | | x | | 3" Polypropylene | Each (1) | In Conjunction with UPLK-01 Leveler Kit |
| | | | Swivel Style | Rigid Style | Locking | Non-Locking | Single Wheel | Dual Wheel | | | |

Height added when mounted to the Riser Base.



Leveler Kit - Levelers Only [ Select items available. Refer to the Instant Emcor reference manual.]

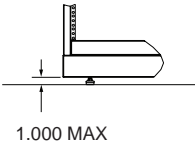
Leveling legs help stabilize an enclosure. Leveler kits **must be** used in conjunction with the riser base. The kits include the leveling leg and all mounting hardware.

Leveler Kits - Leveler Only

| Part Number | Description | Sold As | Where Used |
|--|---|----------------|---|
|  <p>ALDX-XXX-180019</p> | <p>Leveler Kit - Levelers Only Includes Leveling Legs: HW-405</p> | <p>Set (4)</p> | <p>Directly on Riser Base (pontoon base) Only</p> |

Height added when mounted to the Riser Base.

ALDX-XXX-180019



Wedge Frames for use with Vertical Style Frames

Vertical Wedge Frames

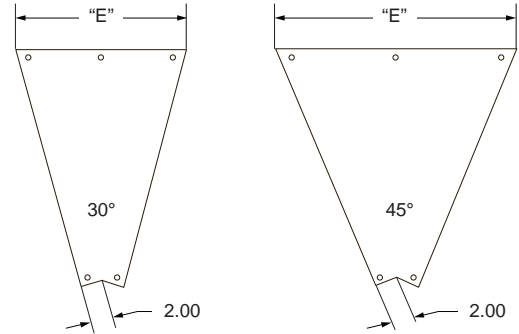
Vertical wedge frames, referred to as “flat pack wedge kits” due to the way they ship, can be used with vertical frames to create console or work station configurations. Vertical wedge frames come with the hardware necessary to bolt to the side of vertical frames. The height and depth of both the vertical frame and the wedge frame must be the same to be compatible. The wedge kit includes the the 3” riser base and can be left off if the vertical frame is ordered without the riser.

Part Numbers

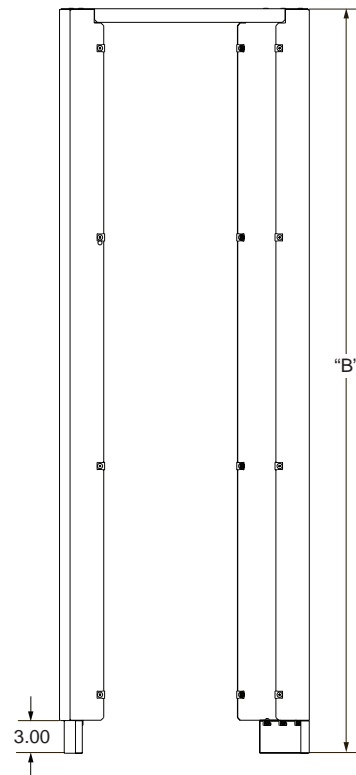
| 30° Wedge | | 45° Wedge | | "B" Overall Height | Use w/ Frames w/ this Usable Height | Use w/ Frames w/ this Overall Depth | |
|------------|-------------------------|------------|-------------------------|--------------------------|---|---|--------|
| | "E" Overall Width | | "E" Overall Width | | | | |
| WKV-182130 | 13.440 | WKV-182145 | 17.855 | 29.500 | 21.000 | 12U | 18.500 |
| WKV-222130 | 15.252 | WKV-222145 | 20.534 | 29.500 | 21.000 | 12U | 22.000 |
| WKV-252130 | 17.064 | WKV-252145 | 23.212 | 29.500 | 21.000 | 12U | 25.500 |
| WKV-302130 | 19.781 | WKV-302145 | 27.230 | 29.500 | 21.000 | 12U | 30.750 |
| WKV-182830 | 13.440 | WKV-182845 | 17.855 | 36.500 | 28.000 | 16U | 18.500 |
| WKV-222830 | 15.252 | WKV-222845 | 20.534 | 36.500 | 28.000 | 16U | 22.000 |
| WKV-252830 | 17.064 | WKV-252845 | 23.212 | 36.500 | 28.000 | 16U | 25.500 |
| WKV-302830 | 19.781 | WKV-302845 | 27.230 | 36.500 | 28.000 | 16U | 30.750 |
| WKV-223530 | 15.252 | WKV-223545 | 20.534 | 42.125 | 35.000 | 20U | 22.000 |
| WKV-253530 | 17.064 | WKV-253545 | 23.212 | 42.125 | 35.000 | 20U | 25.500 |
| WKV-224030 | 15.252 | WKV-245045 | 20.534 | 47.375 | 40.250 | 23U | 22.000 |
| WKV-254030 | 17.064 | WKV-254045 | 23.212 | 47.375 | 40.250 | 23U | 25.500 |
| WKV-224330 | 15.252 | WKV-245345 | 20.534 | 50.875 | 43.750 | 25U | 22.000 |
| WKV-254330 | 17.064 | WKV-254345 | 23.212 | 50.875 | 43.750 | 25U | 25.500 |
| WKV-304330 | 19.781 | WKV-304345 | 27.230 | 50.875 | 43.750 | 25U | 30.750 |
| WKV-225230 | 15.252 | WKV-225245 | 20.534 | 59.625 | 52.500 | 30U | 22.000 |
| WKV-255230 | 17.064 | WKV-255245 | 23.212 | 59.625 | 52.500 | 30U | 25.500 |
| WKV-305230 | 19.781 | WKV-305245 | 27.230 | 59.625 | 52.500 | 30U | 30.750 |
| WKV-226130 | 15.252 | WKV-226145 | 20.534 | 68.375 | 61.250 | 35U | 22.000 |
| WKV-256130 | 17.064 | WKV-256145 | 23.212 | 68.375 | 61.250 | 35U | 25.500 |
| WKV-306130 | 19.781 | WKV-306145 | 27.230 | 68.375 | 61.250 | 35U | 30.750 |
| WKV-227030 | 15.252 | WKV-227045 | 20.534 | 77.125 | 70.000 | 40U | 22.000 |
| WKV-257030 | 17.064 | WKV-257045 | 23.212 | 77.125 | 70.000 | 40U | 25.500 |
| WKV-307030 | 19.781 | WKV-307045 | 27.230 | 77.125 | 70.000 | 40U | 30.750 |
| WKV-227830 | 15.252 | WKV-227845 | 20.534 | 85.875 | 78.750 | 45U | 22.000 |
| WKV-257830 | 17.064 | WKV-257845 | 23.212 | 85.875 | 78.750 | 45U | 25.500 |
| WKV-307830 | 19.781 | WKV-307845 | 27.230 | 85.875 | 78.750 | 45U | 30.750 |

Note: Standard side panels will not mount to wedge frames.

Top View



Side View



Wedge Frames for use with Slope Front Style Frames

Slope Front Wedge Frames

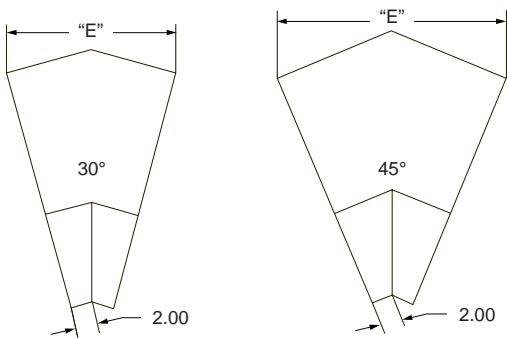
Slope front wedge frames can be used with slope front frames to create console or work station configurations. Slope front wedge frames come with the hardware necessary to bolt to the side of slope front frames. The height and depth of both the slope front frame and the wedge frame must be the same to be compatible. Slope front wedge frames are of fully welded with solid non-removable front, top, and rear panels. The 3" riser base is bolted on and can be removed if the slope front frame is ordered without the riser.

Part Numbers

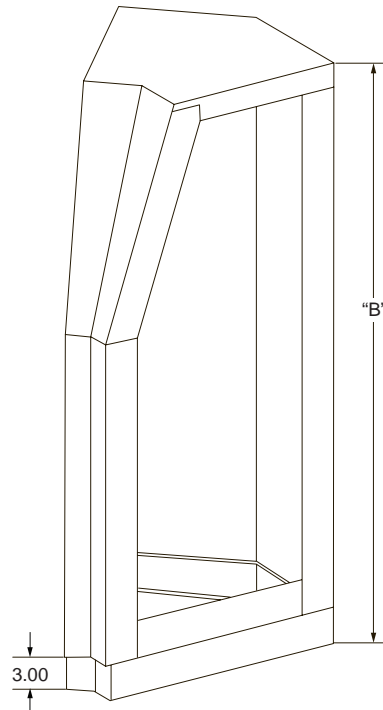
| 30° Wedge | | 45° Wedge | | "B" Overall Height | Use w/ Frames w/ this Usable Height | Use w/ Frames w/ this Overall Depth | |
|--------------------|-------------------------|--------------------|-------------------------|--------------------------|---|---|--------|
| | "E" Overall Width | | "E" Overall Width | | | | |
| SWFR-221730 | 15.250 | SWFR-221745 | 20.531 | 49.953 | 42.000 | 24U | 22.000 |
| SWFR-251730 | 17.063 | SWFR-251745 | 23.281 | 49.953 | 42.000 | 24U | 25.500 |
| SWFR-301730 | 19.781 | SWFR-301745 | 27.234 | 49.953 | 42.000 | 24U | 30.750 |
| SWFR-222430 | 15.250 | SWFR-222445 | 20.531 | 56.578 | 49.000 | 28U | 22.000 |
| SWFR-252430 | 17.063 | SWFR-252445 | 23.281 | 56.578 | 49.000 | 28U | 25.500 |
| SWFR-302430 | 19.781 | SWFR-302445 | 27.234 | 56.578 | 49.000 | 28U | 30.750 |

Note: Standard side panels will not mount to wedge frames.

Top View



Side View



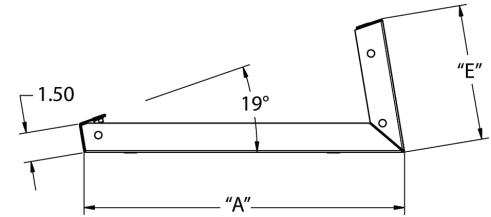
Riser and Instrument Frames

Riser Frames

Riser Frames are used to provide a 19° angle for instrument or monitor frames when mounted on top of slope-front base units. Includes a kit with joining hardware and rubber bumpers to avoid abrasion when joining.

Part Numbers

| 19" EIA Rack Width | | 24" EIA Rack Width | | 30" EIA Rack Width | | "A" Overall Depth | "E" Riser Height |
|-------------------------|-------------------------|-------------------------|-------------------------|-------------------------|------------------------|-------------------------|------------------------|
| "C" Overall Width | "C" Overall Width | "C" Overall Width | "C" Overall Width | "A" Overall Depth | "E" Riser Height | | |
| SFRR-1619 | 21.062 | SFRR-1624 | 26.062 | SFRR-1630 | 32.062 | 16.587 | 6.975 |
| SFRR-1819 | 21.062 | SFRR-1824 | 26.062 | SFRR-1830 | 32.062 | 18.867 | 7.728 |
| SFRR-2119 | 21.062 | contact factory | | contact factory | | 21.837 | 8.708 |
| SFRR-2419 | 21.062 | contact factory | | contact factory | | 24.117 | 9.461 |



Instrument Frames

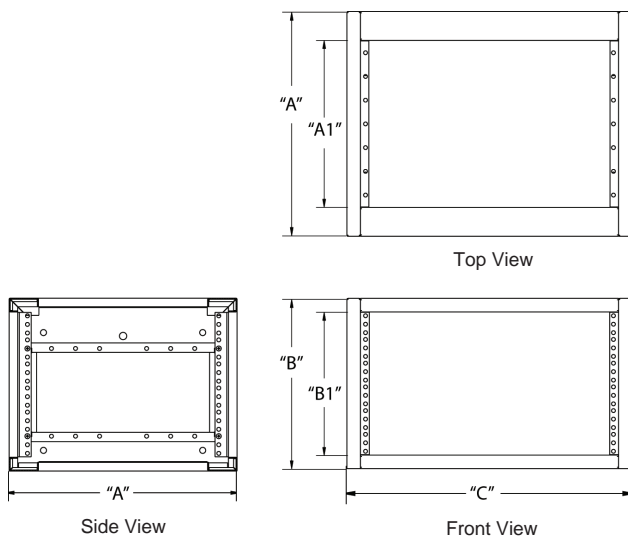
Instrument frames are designed to mount on top of slope-front base frames with a riser frame in between. Thru-Hole mounting rails are supplied with the frame, but Tapped 1 may be substituted. Includes a kit with joining hardware and rubber bumpers to avoid abrasion when joining.

Part Numbers

| 19" EIA Rack Width | | 24" EIA Rack Width | | 30" EIA Rack Width | | "A" Overall Depth | "A1" Top/ Bottom Opening | | "B" Overall Height | "B1" Usable Height | |
|-------------------------|-------------------------|-------------------------|-------------------------|-------------------------|------------------------|-------------------------|--------------------------------|------------------|--------------------------|--------------------------|-----|
| "C" Overall Width | "C" Overall Width | "C" Overall Width | "C" Overall Width | "A" Overall Depth | Top/ Bottom Opening | | Overall Height | Usable Height | | | |
| SFRI-161019 | 21.062 | SFRI-161024 | 26.062 | SFRI-161030 | 32.062 | 16.587 | 12.250 | 7U | 12.562 | 10.500 | 6U |
| SFRI-181019 | 21.062 | SFRI-181024 | 26.062 | SFRI-181030 | 32.062 | 18.867 | 14.000 | 8U | 12.562 | 10.500 | 6U |
| SFRI-211019 | 21.062 | contact factory | | contact factory | | 21.837 | 17.500 | 10U | 12.562 | 10.500 | 6U |
| SFRI-241019 | 21.062 | contact factory | | contact factory | | 24.117 | 19.250 | 11U | 12.562 | 10.500 | 6U |
| SFRI-161719 | 21.062 | SFRI-161724 | 26.062 | SFRI-161730 | 32.062 | 16.587 | 12.250 | 7U | 19.562 | 17.500 | 10U |
| SFRI-181719 | 21.062 | SFRI-181724 | 26.062 | SFRI-181730 | 32.062 | 18.867 | 14.000 | 8U | 19.562 | 17.500 | 10U |
| SFRI-211719 | 21.062 | contact factory | | contact factory | | 21.837 | 17.500 | 10U | 19.562 | 17.500 | 10U |
| SFRI-241719 | 21.062 | contact factory | | contact factory | | 24.117 | 19.250 | 11U | 19.562 | 17.500 | 10U |
| SFRI-162119 | 21.062 | SFRI-162124 | 26.062 | SFRI-162130 | 32.062 | 16.587 | 12.250 | 7U | 23.062 | 21.000 | 12U |
| SFRI-182119 | 21.062 | SFRI-182124 | 26.062 | SFRI-182130 | 32.062 | 18.867 | 14.000 | 8U | 23.062 | 21.000 | 12U |
| SFRI-212119 | 21.062 | contact factory | | contact factory | | 21.837 | 17.500 | 10U | 23.062 | 21.000 | 12U |
| SFRI-242119 | 21.062 | contact factory | | contact factory | | 24.117 | 19.250 | 11U | 23.062 | 21.000 | 12U |

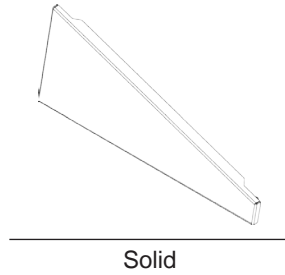
Note: Only front flange mounting accessories can be mounted inside of Instrument frames.

Example of how Riser and Instrument frames are used



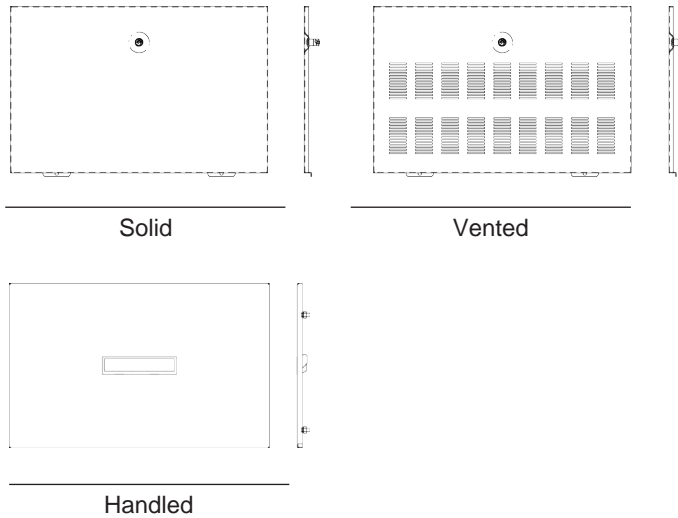
Riser Frame Side Panels

| Formed Inside Removable Solid | |
|-------------------------------------|------------|
| Left | Right |
| SSPR-16-LH | SSPR-16-RH |
| SSPR-18-LH | SSPR-18-RH |
| SSPR-21-LH | SSPR-21-RH |
| SSPR-24-LH | SSPR-24-RH |



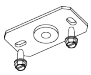


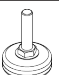
Instrument Frame Side Panels

| Solid | Vented | Handled |
|-------------|-------------|-------------|
| SSPI-1610-S | SSPI-1610-V | SSPI-1610-H |
| SSPI-1617-S | SSPI-1617-V | SSPI-1617-H |
| SSPI-1621-S | SSPI-1621-V | SSPI-1621-H |
| SSPI-1810-S | SSPI-1810-V | SSPI-1810-H |
| SSPI-1817-S | SSPI-1817-V | SSPI-1817-H |
| SSPI-1821-S | SSPI-1821-V | SSPI-1821-H |
| SSPI-2110-S | SSPI-2110-V | SSPI-2110-H |
| SSPI-2117-S | SSPI-2117-V | SSPI-2117-H |
| SSPI-2121-S | SSPI-2121-V | SSPI-2121-H |
| SSPI-2410-S | SSPI-2410-V | SSPI-2410-H |
| SSPI-2417-S | SSPI-2417-V | SSPI-2417-H |
| SSPI-2421-S | SSPI-2421-V | SSPI-2421-H |



Casters/Levelers for Instrument Frames

In addition to being used in conjunction with a riser frame on top of a slope front frame, Instrument frames can also be used as stand alone portable units. When using the instrument frame in this manner, a mounting kit can be used which allows for casters or levelers to be mounted to the bottom of the frame.

| Part Number | Description | Sold As | Where Used |
|---|--|----------|--------------------------------------|
|  MTGKIT-SFRI | Caster/Leveler Kit - To accommodate Casters or Levelers Casters or Levelers Sold Separately | Set (4) | Directly on Instrument Frames Only |
|  HW-990 | Non-locking Caster | Each (1) | In Conjunction with MTGKIT-SFRI Only |
|  HW-990-LK | Locking Caster | Each (1) | In Conjunction with MTGKIT-SFRI Only |
|  HW-405 | Leveler | Each (1) | In Conjunction with MTGKIT-SFRI Only |

19° Turret Frames

Turret frames assist in providing proper viewing angles of electronic equipment and instrumentation. Turret frames are supplied with welded in-place mounting angles. Only front flange mounting accessories can be mounted inside of Turret frames. 30° & 45° wedge shaped turrets are available by contacting the factory. Includes a kit with joining hardware and rubber bumpers to avoid abrasion when joining.

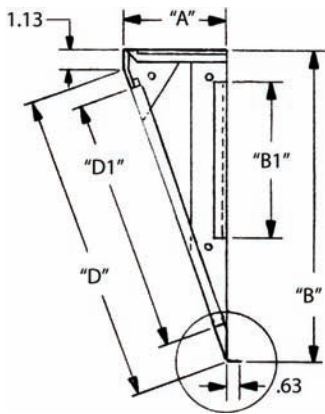
Turret – 19°

These turret frames are to be mounted to the front of frames.

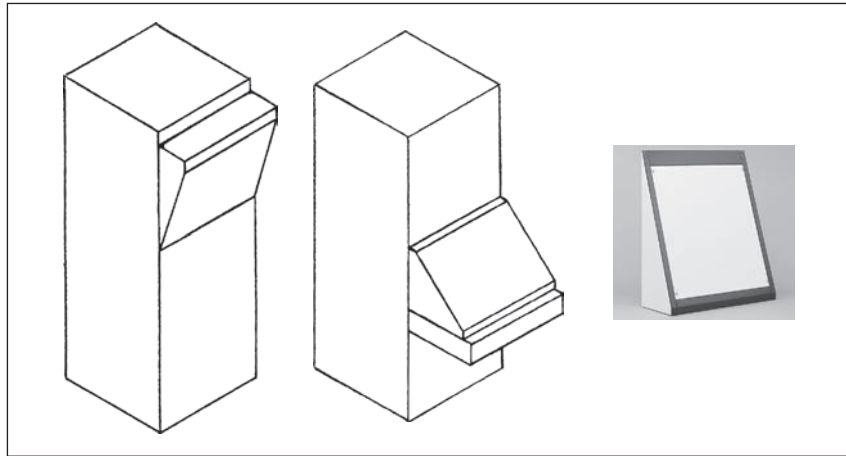
Part Numbers

| 19° EIA Width | | 24° EIA Width | | 30° EIA Width | | "A" Overall Depth | "B" Overall Height | "B1" Usable Opening | "D" Overall Slope | "D1" Usable Slope | | |
|-------------------------|-------------------------|-------------------------|-------------------------|---------------|--------|-------------------------|--------------------------|---------------------------|-------------------------|-------------------------|--------|-----|
| "C" Overall Width | "C" Overall Width | "C" Overall Width | "C" Overall Width | | | | | | | | | |
| SFR-57A | 21.062 | SFR-257A | 26.062 | SFR-457A | 32.062 | 5.641 | 17.500 | 8.750 | 5U | 17.313 | 14.000 | 8U |
| SFR-58A | 21.062 | SFR-258A | 26.062 | SFR-458A | 32.062 | 8.047 | 24.500 | 15.750 | 9U | 24.359 | 21.000 | 12U |

Note: The tip of this frame (circled) has a flange which fits into the .625" recess of the vertical frame, closing off any gap between the turret and the next panel or piece of equipment.



Examples of how 19° Turrets can be used.

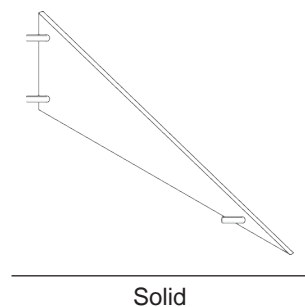


Turret Side Panels

Turret side panels are available and must be ordered in addition to the frame, if desired. Refer to the ordering guide for proper sizing.

Part Numbers

| Flat Inside Removable Solid | |
|-----------------------------------|------------|
| Left | Right |
| SSP-57A-LH | SSP-57A-RH |
| SSP-58A-LH | SSP-58A-RH |



Turrets - 20°, 25° and 35°

These turret frames are to be mounted on top of frames providing flexibility in configuring sloped and console configurations. Includes a kit with joining hardware and rubber bumpers to avoid abrasion when joining.

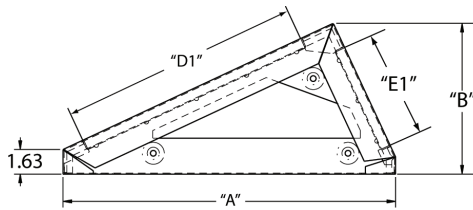
Part Numbers

| 20° Turret | | | | | | | | | |
|---------------|-------------------------|---------------|-------------------------|---------------|-------------------------|-------------------------|--------------------------|-------------------------|-------------------------|
| 19" EIA Width | | 24" EIA Width | | 30" EIA Width | | "A" Overall Depth | "B" Overall Height | "D1" Usable Slope | "E1" Usable Slope |
| | "C" Overall Width | | "C" Overall Width | | "C" Overall Width | | | | |
| SFRT-2219-20 | 21.062 | SFRT-2224-20 | 26.062 | SFRT-2230-20 | 32.062 | 22.000 | 8.637 | 17.500 | 10U 5.250 3U |
| SFRT-2519-20 | 21.062 | SFRT-2524-20 | 26.062 | SFRT-2530-20 | 32.062 | 25.500 | 9.762 | 19.250 | 11U 7.000 4U |
| SFRT-3019-20 | 21.062 | SFRT-3024-20 | 26.062 | SFRT-3030-20 | 32.062 | 30.750 | 11.449 | 24.500 | 14U 8.750 5U |

| 25° Turret | | | | | | | | | |
|---------------|-------------------------|---------------|-------------------------|---------------|-------------------------|-------------------------|--------------------------|-------------------------|-------------------------|
| 19" EIA Width | | 24" EIA Width | | 30" EIA Width | | "A" Overall Depth | "B" Overall Height | "D1" Usable Slope | "E1" Usable Slope |
| | "C" Overall Width | | "C" Overall Width | | "C" Overall Width | | | | |
| SFRT-2219-25 | 21.062 | SFRT-2224-25 | 26.062 | SFRT-2230-25 | 32.062 | 22.000 | 9.962 | 15.750 | 9U 7.000 4U |
| SFRT-2519-25 | 21.062 | SFRT-2524-25 | 26.062 | SFRT-2530-25 | 32.062 | 25.500 | 11.303 | 19.250 | 11U 8.750 5U |
| SFRT-3019-25 | 21.062 | SFRT-3024-25 | 26.062 | SFRT-3030-25 | 32.062 | 30.750 | 13.314 | 24.500 | 14U 10.500 6U |

| 35° Turret | | | | | | | | | |
|---------------|-------------------------|---------------|-------------------------|---------------|-------------------------|-------------------------|--------------------------|-------------------------|-------------------------|
| 19" EIA Width | | 24" EIA Width | | 30" EIA Width | | "A" Overall Depth | "B" Overall Height | "D1" Usable Slope | "E1" Usable Slope |
| | "C" Overall Width | | "C" Overall Width | | "C" Overall Width | | | | |
| SFRT-2219-35 | 21.062 | SFRT-2224-35 | 26.062 | SFRT-2230-35 | 32.062 | 22.000 | 11.797 | 14.000 | 8U 10.500 6U |
| SFRT-2519-35 | 21.062 | SFRT-2524-35 | 26.062 | SFRT-2530-35 | 32.062 | 25.500 | 13.442 | 17.500 | 10U 12.250 7U |
| SFRT-3019-35 | 21.062 | SFRT-3024-35 | 26.062 | SFRT-3030-35 | 32.062 | 30.750 | 15.968 | 21.000 | 12U 14.000 8U |

Example of how 20°, 25° and 35° Turrets can be used.

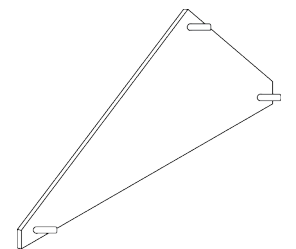


Turret Side Panels

Turret side panels are available and must be ordered in addition to the frame, if desired. Refer to the ordering guide for proper sizing.

Part Numbers

| 20° Turret | | 25° Turret | | 35° Turret | |
|-----------------------------------|--------------|-----------------------------------|--------------|-----------------------------------|--------------|
| Flat Inside Removable Solid | | Flat Inside Removable Solid | | Flat Inside Removable Solid | |
| Left | Right | Left | Right | Left | Right |
| SPT-22-20-LH | SPT-22-20-RH | SPT-22-25-LH | SPT-22-25-RH | SPT-22-35-LH | SPT-22-35-RH |
| SPT-25-20-LH | SPT-25-20-RH | SPT-25-25-LH | SPT-25-25-RH | SPT-25-35-LH | SPT-25-35-RH |
| SPT-30-20-LH | SPT-30-20-RH | SPT-30-25-LH | SPT-30-25-RH | SPT-30-35-LH | SPT-30-35-RH |



Solid

55°/35° Turret Frames

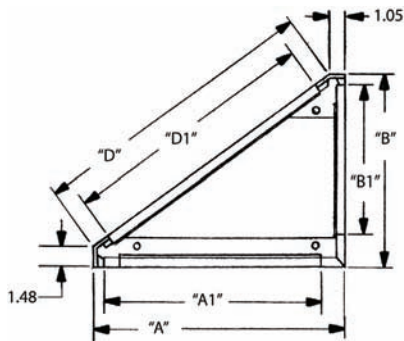
Turrets - 55°/35°

These turret frames can be used alone, as a table top unit, on a workbench, or on top of short vertical frames. This turret style can also be mounted to the front of vertical frames. This style turret has been developed to present either a 55° or 35° slope, depending upon how it is mounted. Includes a kit with joining hardware and rubber bumpers to avoid abrasion when joining.

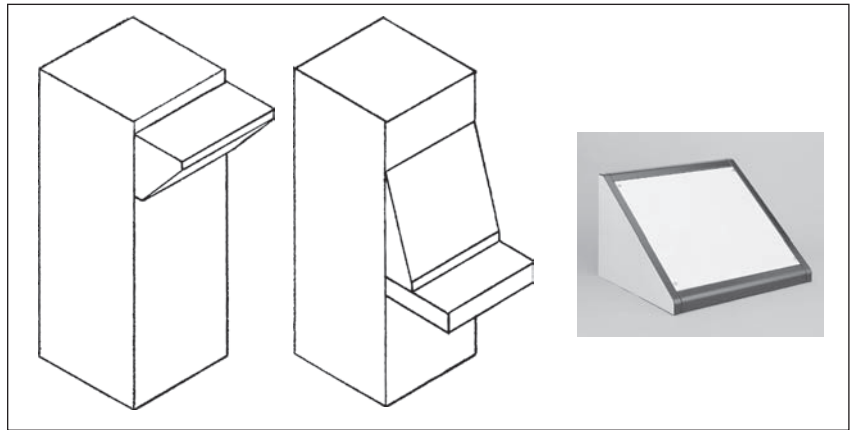
Part Numbers

| 19" EIA Width | | 24" EIA Width | | 30" EIA Width | | "A" Overall | "A1" Usable Space | "B" Overall | "B1" Usable Space | "D" Overall | "D1" Usable Space | |
|---------------|-------------------|---------------|-------------------|---------------|-------------------|-------------|-------------------|-------------|-------------------|-------------|-------------------|-----|
| | "C" Overall Width | | "C" Overall Width | | "C" Overall Width | | | | | | | |
| SFR-56A | 21.062 | SFR-256A | 26.062 | SFR-456A | 32.062 | 17.500 | 15.125 | 13.016 | 10.141 | 20.094 | 17.500 | 10U |

^Off-increment or "unique" panel size. *Off-increment or "unique" panel size.



Examples of how the 55°/35° turrets can be used.



Unique Turret Panels

In designing the 55°/35° turrets, and while maintaining EIA slope openings, it was necessary to have an off-increment rear and bottom panel opening. Special panels have been created to mount in these areas. Refer to the ordering guide for proper sizing.

Turret Side Panels

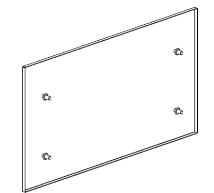
Turret side panels are available and must be ordered in addition to the frame, if desired. Refer to the ordering guide for proper sizing.

Part Numbers

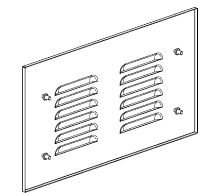
| 19" EIA Width | |
|---------------|--------------|
| Solid | Louvered |
| *PN-1056A | *PN-1056A-LV |
| ^PN-1556A | ^PN-1556A-LV |

| 24" EIA Width | |
|---------------|-----------------|
| Solid | Louvered |
| *PN-1056A-24 | *PN-1056A-LV-24 |
| ^PN-1556A-24 | ^PN-1556A-LV-24 |

| 30" EIA Width | |
|---------------|-----------------|
| Solid | Louvered |
| *PN-1056A-30 | *PN-1056A-LV-30 |
| ^PN-1556A-30 | ^PN-1556A-LV-30 |



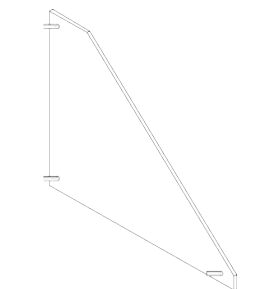
Solid



Louvered

Part Numbers

| Flat Inside Removable Solid | |
|-----------------------------|------------|
| Left | Right |
| SSP-56A-LH | SSP-56A-RH |



Solid

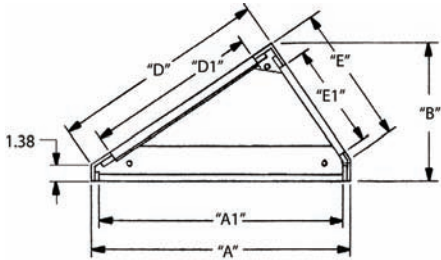
Turrets - 35°/55°

These turret frames can be used alone, as a table top unit, on a workbench, or on top of short vertical frames. This turret style can also be mounted to the front of vertical frames. This style turret has been developed to present either a 35° or 55° slope, depending upon how it is mounted. Includes a kit with joining hardware and rubber bumpers to avoid abrasion when joining.

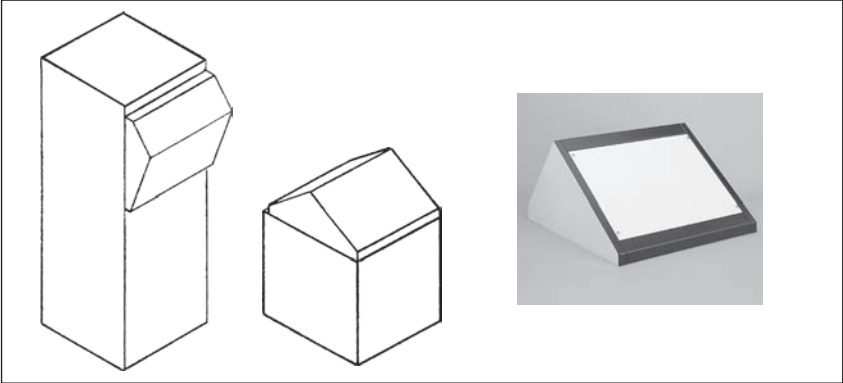
Part Numbers

| 19" EIA Width | | 24" EIA Width | | 30" EIA Width | | "B" Overall Height | "A" Overall | "A1" Usable Space | "D" Overall | "D1" Usable Space | "E" Overall | "E1" Usable Space | | |
|---------------|-------------------------|---------------|-------------------------|---------------|-------------------------|--------------------------|----------------|-------------------------|----------------|-------------------------|----------------|-------------------------|-------|----|
| | "C" Overall Width | | "C" Overall Width | | "C" Overall Width | | | | | | | | | |
| SFR-54A | 21.062 | SFR-254A | 26.062 | SFR-454A | 32.062 | 9.266 | 17.469 | 16.219 | 14.375 | 10.500 | 6U | 9.938 | 7.000 | 4U |
| SFR-55A | 21.062 | SFR-255A | 26.062 | SFR-455A | 32.062 | 11.453 | 21.344 | 20.094 | 17.875 | 14.000 | 8U | 11.688 | 8.750 | 5U |

▣ Off increment or "unique" panel size.



Examples of how the 35°/55° turrets can be used.



Unique Turret Panels

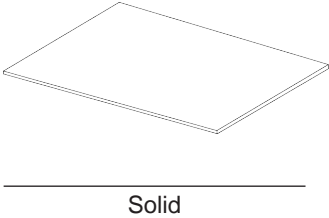
In designing the 35°/55° turrets, and while maintaining EIA standard slope openings, it was necessary to have an off-increment bottom panel opening. Special panels have been created to mount in this area. Refer to the ordering guide for proper sizing.

Part Numbers

| |
|---------------|
| 19" EIA Width |
| Solid |
| ▣BPN-54A |
| ▣BPN-55A |

| |
|---------------|
| 24" EIA Width |
| Solid |
| ▣BPN-54A-24 |
| ▣BPN-55A-24 |

| |
|---------------|
| 30" EIA Width |
| Solid |
| ▣BPN-54A-30 |
| ▣BPN-55A-30 |

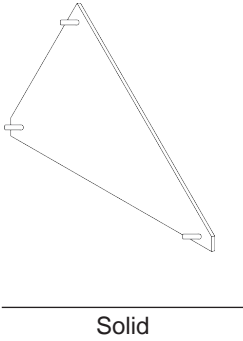


Turret Side Panels

Turret side panels are available and must be ordered in addition to the frame, if desired. Refer to the ordering guide for proper sizing.

Part Numbers

| | |
|------------|------------------|
| | Flat |
| | Inside Removable |
| | Solid |
| Left | Right |
| SSP-54A-LH | SSP-54A-RH |
| SSP-55A-LH | SSP-55A-RH |



Mounting Rails

Mounting Rails [Select items available. Refer to the Instant Emcor reference manual.]

All ESQ® frames include 2 pair (4 total) of thru-hole EIA compliant mounting rails with rack unit markings. Optional tapped rails are available. Choose from .281” diameter thru holes on one leg of the mounting rail, and .159” diameter tapped holes (10-32 NF2) on the other leg, or .159” diameter tapped holes (10-32 NF2) on both legs of the mounting rail. The rails are processed to specification ASTM-B633 which calls for electrodeposited zinc plating with a clear chromate conversion coating.

Square Hole/Dell® Mounting Rails

These mounting rails allow Dell® rack mountable components to be installed in all 10 Series® frames. Hole to hole spacing is EIA standard. These rails do not have a side flange. Only front flange mount accessories can be mounted to this item.

Mounting Straps [Select items available. Refer to the Instant Emcor reference manual.]

Mounting straps are used when there is a mix of different depth accessories in a frame. Straps allow full depth items that require a rear attach point to pass by the strap and attach to the rail behind it. The straps are processed to specification ASTM-B633 which calls for electrodeposited zinc plating with a clear chromate conversion coating and include rack unit markings. Only accessories that are side mount style can be mounted to a strap.

Part Numbers

| Thru-Hole | Tapped 1 | Tapped 2 | Square Hole/Dell® | Mounting Strap | Use in Frames with this Usable Height |
|-----------|----------|----------|-------------------|----------------|---------------------------------------|
|-----------|----------|----------|-------------------|----------------|---------------------------------------|

For use with Instrument Frames

| | | | | | |
|---------|----------------|-----------------|---------------|-----------------|------------|
| PMA-15A | PMA-15A-1032-1 | contact factory | not available | contact factory | 10.500 6U |
| PMA-19A | PMA-19A-1032-1 | contact factory | not available | contact factory | 17.500 10U |
| PMA-21A | PMA-21A-1032-1 | contact factory | not available | contact factory | 21.000 12U |

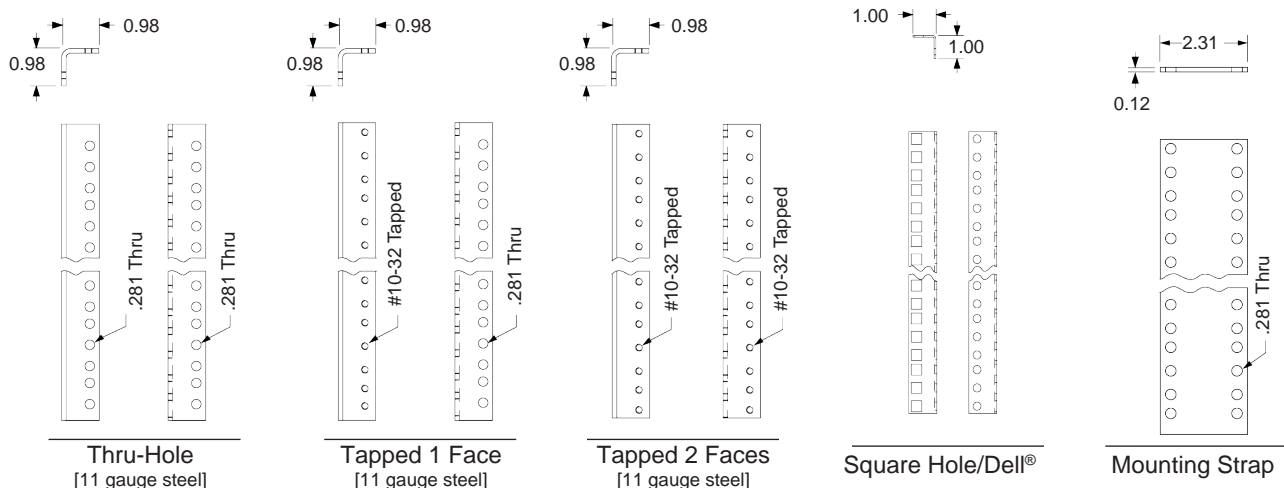
For use with Vertical Frames

| | | | | | |
|----------|-----------------|-----------------|----------|--------|------------|
| PMA-21A* | PMA-21A-1032-1* | PMA-21A-1032-2* | DPMA-21* | MS-21* | 21.000 12U |
| PMA-28A* | PMA-28A-1032-1* | PMA-28A-1032-2* | DPMA-28* | MS-28* | 28.000 16U |
| PMA-35A | PMA-35A-1032-1 | PMA-35A-1032-2 | DPMA-35 | MS-35 | 35.000 20U |
| PMA-40A | PMA-40A-1032-1 | PMA-40A-1032-2 | DPMA-40 | MS-40 | 40.250 23U |
| PMA-43A | PMA-43A-1032-1 | PMA-43A-1032-2 | DPMA-43 | MS-43 | 43.750 25U |
| PMA-52A | PMA-52A-1032-1 | PMA-52A-1032-2 | DPMA-52 | MS-52 | 52.500 30U |
| PMA-61A | PMA-61A-1032-1 | PMA-61A-1032-2 | DPMA-61 | MS-61 | 61.250 35U |
| PMA-70A | PMA-70A-1032-1 | PMA-70A-1032-2 | DPMA-70 | MS-70 | 70.000 40U |
| PMA-78A | PMA-78A-1032-1 | PMA-78A-1032-2 | DPMA-78 | MS-78 | 78.750 45U |

For Use with Slope Front Frames

| | | | | | |
|---------|----------------|----------------|---------------|-------|------------|
| PMA-24A | PMA-24A-1032-1 | PMA-24A-1032-2 | not available | MS-24 | 24.500 14U |
| PMA-28A | PMA-28A-1032-1 | PMA-28A-1032-2 | not available | MS-28 | 28.000 16U |
| PMA-38A | PMA-38A-1032-1 | PMA-38A-1032-2 | not available | MS-38 | 38.000 22U |
| PMA-42A | PMA-42A-1032-1 | PMA-42A-1032-2 | not available | MS-42 | 42.000 24U |
| PMA-49A | PMA-49A-1032-1 | PMA-49A-1032-2 | not available | MS-49 | 49.000 28U |

*For use with Frames with Work Surface Provisions



Panel Width Adapter Kits

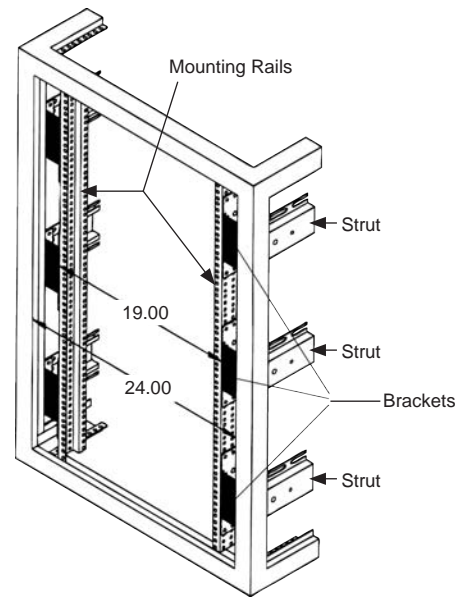
Panel width adapter kits provide a means of reducing the entire panel width from 24" to 19" adding approximately 2.5" of available space between the frame and rails on each side of the cabinet. Order one kit per pair of rails. If both the front and rear openings are to be reduced, then two of the appropriate kits must be ordered. The appropriate kit to be specified is determined by the number of struts on the frame.

Part Numbers

| | Number of Frame Struts per Side | Number of Brackets in Kit |
|---------|---------------------------------|---------------------------|
| PWAK-02 | 2 | 4 |
| PWAK-03 | 3 | 6 |
| PWAK-04 | 4 | 8 |

Note

Kit does not include the mounting rails, they are shown for reference only.



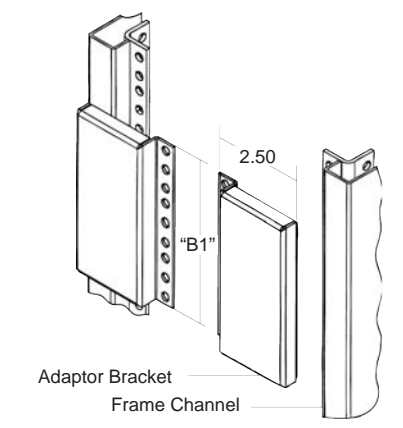
Panel Width Adapter Kit
[11-gauge steel]

Panel Width Adapter Brackets

Adapter Brackets provide a means of reducing portions of the panel width from 24" to 19" while maintaining a finished appearance. If the equipment that is being mounted to the brackets has adequate rear supports within the frame the recommended load rating is 300 pounds. The recommended load rating for equipment that is front mounted is 150 pounds.

Part Numbers

| | "B1" # of Rack Units Used | |
|--------|---------------------------------|----|
| ABA-05 | 5.250 | 3U |
| ABA-07 | 7.000 | 4U |
| ABA-08 | 8.750 | 5U |
| ABA-10 | 10.500 | 6U |
| ABA-12 | 12.250 | 7U |



Adapter Brackets
[14-gauge steel]

Power

PDUs

We offer a broad selection of power distribution units designed to cover your varied power distribution needs. This complete suite of power products is designed specifically to help IT professionals meet their rapidly escalating power requirements. Our PDUs are distinguished for their quality, dependability and versatility in electrically intensive applications. All products are designed with an emphasis on safety and reliability.

Metered



Monitored



Switched



For a complete list of part numbers and details please see our PDU catalog.

Below is an overview of the features and types of PDUs offered.

| | Basic | Metered | Monitored | | Switched | | Environmental Control Products and Accessories | | | | | |
|------------------------------------|-------|---------|--------------------|------------------|----------|----------------|--|--------------------------|-----------------------|----------------------------|---------------------------------|-------------------------------|
| | Basic | Metered | Current Monitoring | Power Monitoring | Switched | Switched Ultra | Environmental Monitor | Temperature Monitor Plus | Monitoring Aggregator | Environmental Monitor Plus | Environmental Monitor + Display | Environmental Monitor + Relay |
| | Basic | Metered | Monitored | | Switched | | Environmental Control Products and Accessories | | | | | |
| Power Distribution | X | X | X | X | X | X | | | | | | |
| Built in Display | | X | X | | | | | | | | | |
| Remote Display Included | | | | X | X | X | | | | | | |
| Qty RJ Remote Sensor Ports | | | | 2 | 2 | 2 | | 1 | 16 | 5 | 5 | 4 |
| Master Unit - Satellite Compatible | | | | X | X | X | | X | X | X | X | X |
| QTY I/O Remote Ports | | | | | | | | | 3 | 3 | 3 | 6 |
| Amps | | X | X | X | X | X | | | | | | |
| Volts | | X | X | X | X | X | | | | | | |
| Watts | | X | X | X | X | X | | | | | | |
| Power Factor | | X | X | X | X | X | | | | | | |
| kW Hours | | | X | X | X | X | | | | | | |
| kW Hours per Outlet | | | | | | X | | | | | | |
| Remote Outlet Switching | | | | | X | X | | | | | | |
| Remote Outlet Monitoring | | | | | | X | | | | | | |
| Temperature | | | | | | | X | X | X | X | X | X |
| Relative Humidity | | | | | | | X | | | X | X | |
| Light | | | | | | | | | | X | X | |
| Airflow | | | | | | | | | | X | X | |
| Sound | | | | | | | | | | X | X | |
| Internal Relay Controls | | | | | | | | | | | | 3 |

Custom PDUs

We can accommodate custom PDU requests. Simply provide your specifications on our Custom PDU Order Form and we will provide the design, specs, and quote in just days. Final product often ships in under two weeks.

Bus Bars [ Select items available. Refer to the Instant Emcor reference manual.]

Insulated copper bus bars which attach to the top flange of the upper and lower frame struts. The bus bar is supplied with #10-32 tapped holes on 3.5" centers. **Only full height bus bars will mount to frames. Short height bus bars will not align with frame mounting struts.**

Part Numbers

| | |
|--|---------------------------------------|
| | Use in Frames with this Usable Height |
|--|---------------------------------------|

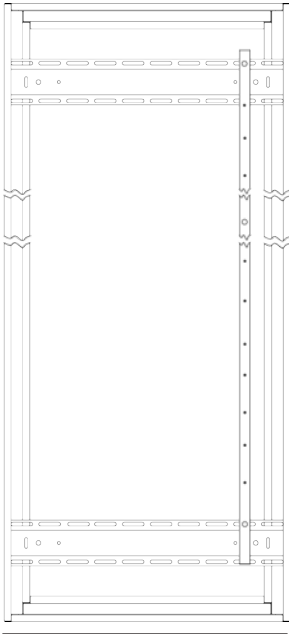
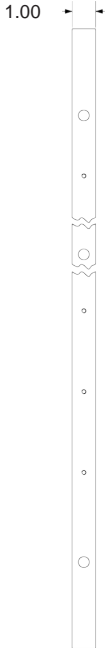
For use with Vertical Frames

| | | |
|---------------|--------|-----|
| BB-21* | 21.000 | 12U |
| BB-28* | 28.000 | 16U |
| BB-35 | 35.000 | 20U |
| BB-40 | 40.250 | 23U |
| BB-43 | 43.750 | 25U |
| BB-52 | 52.500 | 30U |
| BB-61 | 61.250 | 35U |
| BB-70 | 70.000 | 40U |
| BB-78 | 78.750 | 45U |

For use with Slope Front Frames

| | | |
|--------------|--------|-----|
| BB-24 | 24.50 | 14U |
| BB-28 | 28.000 | 16U |
| BB-38 | 38.500 | 22U |
| BB-42 | 42.000 | 24U |
| BB-49 | 49.000 | 28U |

*For use with Frames with Work Surface Provisions



Mounting Detail

Note

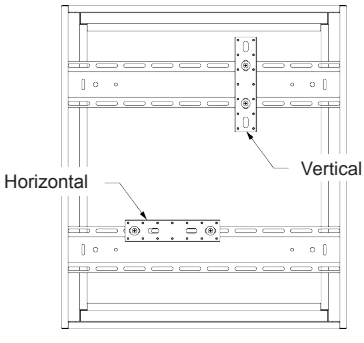
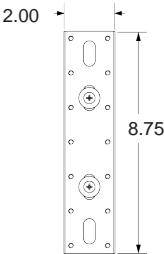
When equipment support items such as shelving or drawers are being mounted in the same frame as a bus bar, the items must be ordered short depth.

Ground Bus Plate [ Select items available. Refer to the Instant Emcor reference manual.]

Ground bus plates provide equipment grounding capabilities that are unique when compared to the full length bus bars. The copper ground bus plate provides fourteen (14) #10-32 tapped grounding points and mounts directly to the frame strut in a vertical or horizontal position. The designed-in mounting flexibility allows for attachment of the ground bus plate in locations that are much less likely to interfere with full depth internal frame equipment and accessories such as mounting brackets, equipment shelves, chassis guides and others.

Part Number

| |
|-----------------|
| GBP-0208 |
|-----------------|



Mounting Detail

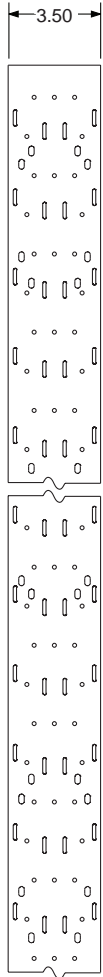
Vertical Cable Managers

3.5" Wide Vertical Lacing Panel

Material: Aluminum

Accepts accessory style B or C.

Slots allow Velcro or other cable straps to neatly organize cable bundles.



Part Numbers

Use in frames with this usable height

For use with Instrument Frames

| | | |
|---------------|--------|-----|
| WMP-10 | 10.500 | 6U |
| WMP-17 | 17.500 | 10U |
| WMP-21 | 21.000 | 12U |

For use with Vertical Frames

| | | |
|----------------|--------|-----|
| WMP-21* | 21.000 | 12U |
| WMP-28* | 28.000 | 16U |
| WMP-35 | 35.000 | 20U |
| WMP-40 | 40.250 | 23U |
| WMP-43 | 43.750 | 25U |
| WMP-52 | 52.500 | 30U |
| WMP-61 | 61.250 | 35U |
| WMP-70 | 70.000 | 40U |
| WMP-78 | 78.750 | 45U |

For use with Slope Front Frames

| | | |
|---------------|--------|-----|
| WMP-24 | 24.500 | 14U |
| WMP-28 | 28.000 | 16U |
| WMP-38 | 38.500 | 22U |
| WMP-42 | 42.000 | 24U |
| WMP-49 | 49.000 | 28U |

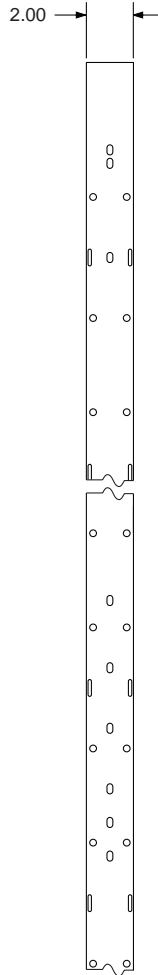
*For use with Frames with Work Surface Provisions

2" Wide Vertical Lacing Panel

Material: Steel

Accepts accessory style A or C.

Slots allow Velcro or other cable straps to neatly organize cable bundles.



Part Numbers

Use in frames with this usable height

For use with Vertical Frames

| | | |
|-------------------|--------|-----|
| CMV-52-LP1 | 52.500 | 30U |
| CMV-61-LP1 | 61.250 | 35U |
| CMV-70-LP1 | 70.000 | 40U |
| CMV-78-LP1 | 78.750 | 45U |

Vertical Cable Organizer with Finger Duct

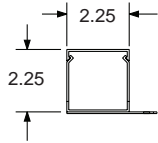
Finger duct size: 2.25 x 2.25

Accepts accessory style C.

Smooth edges protect wires/cables from abrasion.

V shaped slot lead in speeds installation.

Includes snap-on cover.

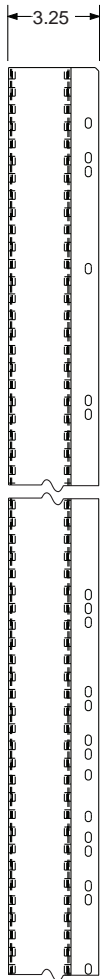


Part Numbers

Use in frames with this usable height

For use with Vertical Frames

| | | |
|-------------------|--------|-----|
| CMV-52-FD1 | 52.500 | 30U |
| CMV-61-FD1 | 61.250 | 35U |
| CMV-70-FD1 | 70.000 | 40U |
| CMV-78-FD1 | 78.750 | 45U |



Vertical Cable Organizer with Dual Finger Duct

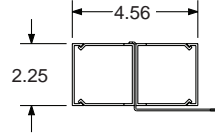
Finger duct size: 2.25 x 2.25

Accepts accessory style C.

Smooth edges protect wires/cables from abrasion.

V shaped slot lead in speeds installation.

Includes snap-on covers.

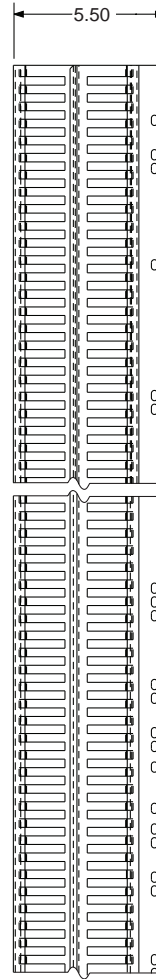


Part Numbers

Use in frames with this usable height

For use with Vertical Frames

| | | |
|-------------------|--------|-----|
| CMV-52-FD2 | 52.500 | 30U |
| CMV-61-FD2 | 61.250 | 35U |
| CMV-70-FD2 | 70.000 | 40U |
| CMV-78-FD2 | 78.750 | 45U |



Cable Management Accessories

Cable Management Accessories [Select items available. Refer to the Instant Emcor reference manual.]

The following accessories are for use in conjunction with the overhead, vertical and horizontal cable management products.

Style A: Snaps into .250 diameter hole

Nylon Cable Hanger

Part Number

CMA-001-A

QTY: 100



Nylon Cable Saddle

Part Number

CMA-002-A

QTY: 25



Nylon Arrowhead Cable Tie

Part Number

CMA-003-A

QTY: 100



Nylon Arrowhead Cable Tie Mount

Part Number

CMA-004-A

QTY: 100



Snap in Clip

Part Number

CMA-008-A

QTY: 100



Bevel Entry Clip

Part Number

CMA-007-A

QTY: 25



Style B: Screws in with self tapping screws

Cable Ring

Part Number

DCR-2375

QTY: 1

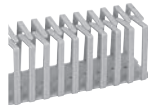


Finger Duct

Part Number

DFD-22

QTY: 1



Velcro Cable Ties w/ Bracket

Part Number

DVS-11

QTY: 10



Style C: Universal

Velcro Cable Ties

Part Number

CMA-001-C

QTY: 20



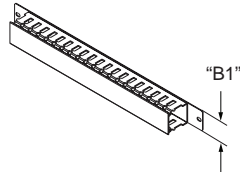
Cable Organizer with Finger Duct

A simple and convenient method of organizing and routing cabling. Includes hinged cover panel. Accepts accessory style C.

Part Numbers

| 19" EIA Width | "B1" # of Rack Units Used | |
|----------------------|---------------------------------|----|
| CMH-1U-19-FD1 | 1.750 | 1U |
| CMH-2U-19-FD1 | 3.500 | 2U |

| 24" EIA Width | "B" # of Rack Units Used | |
|----------------------|--------------------------------|----|
| CMH-1U-24-FD1 | 1.750 | 1U |
| CMH-2U-24-FD1 | 3.500 | 2U |

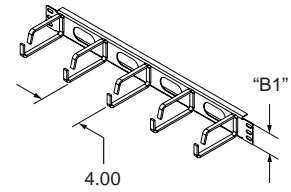


Cable Organizer with 5 D Rings

A simple and convenient method of organizing cabling. Accepts accessory style C.

Part Number

| 19" EIA Width | "B1" # of Rack Units Used | |
|------------------|---------------------------------|----|
| CMH-1U-19 | 1.750 | 1U |

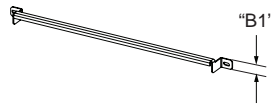


Lacing Bar

Support cables as they exit the back of equipment preventing stress to expensive ports. Accepts accessory style C.

Part Number

| 19" EIA Width | "B" # of Rack Units Used | |
|----------------------|--------------------------------|----|
| CMH-1U-19-LB1 | 1.750 | 1U |



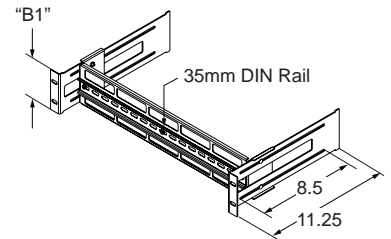
DIN Rail

Rail is 35mm DIN type 3. 8.5" of front-to-rear adjustment. Accepts accessory style C.

Part Numbers

| 19" EIA Width | "B1" # of Rack Units Used | |
|----------------------|---------------------------------|----|
| CMH-2U-19-DIN | 3.500 | 2U |

| 24" EIA Width | "B1" # of Rack Units Used | |
|----------------------|---------------------------------|----|
| CMH-2U-24-DIN | 3.500 | 2U |



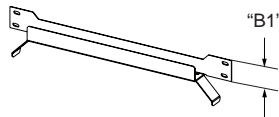
Cable Trough

A simple and convenient method of routing cabling. Accepts accessory style A or C.

Part Numbers

| 19" EIA Width | "B1" # of Rack Units Used | |
|--------------------|---------------------------------|----|
| CMH-1U-19-T | 1.750 | 1U |

| 24" EIA Width | "B1" # of Rack Units Used | |
|--------------------|---------------------------------|----|
| CMH-1U-24-T | 1.750 | 1U |

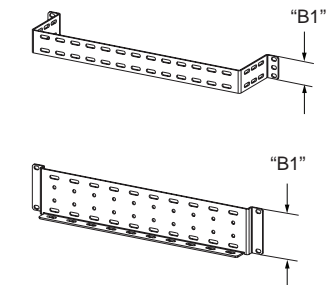


Lacing Panels

A simple and convenient method of organizing cabling. Accepts accessory style A or C.

Part Numbers

| 19" EIA Width | "B1" # of Rack Units Used | |
|----------------------|---------------------------------|----|
| CMH-1U-19-LP1 | 1.750 | 1U |
| CMH-2U-19-LP2 | 3.500 | 2U |



Lighting

Racklights

Racklights provide illumination for an entire rack of electronic equipment and enable the user to adjust illumination for patching or general rack service. Available in both 5-Watt halogen or low intensity LED, the racklights only occupy 1U of rack space. All racklights include 12-Volt power supply and mounting hardware.



Part Number

ELIGHT RL-10-S

1U rack mount panel with one 12" high intensity (5-Watt halogen) gooseneck permanently attached. The gooseneck is recessed into the panel for transport and is controlled by a dimmer switch. Includes 12-Volt power supply with 6ft. cord and 5-Watt halogen bulb.



Part Number

ELIGHT RL-10-D

1U rack mount panel with two 12" high intensity (5-Watt halogen) gooseneck permanently attached. The goosenecks are recessed into the panel for transport and are controlled by dimmer switches. Includes 12-Volt power supply with 6ft. cord and 5-Watt halogen bulb.

Part Number

ELIGHT RL-10-S-LED

1U rack mount panel with one 12" low intensity LED gooseneck permanently attached. The gooseneck is recessed into the panel for transport. A three-way rotary switch enables the user to toggle between white light and red light output. Includes 12-Volt power supply with 6ft. cord.

Part Number

ELIGHT RL-10-D-LED

1U rack mount panel with two 12" low intensity LED gooseneck permanently attached. The goosenecks are recessed into the panel for transport. A three-way rotary switch enables the user to toggle between white light and red light output. Includes 12-Volt power supply with 6ft. cord.

Product Selector

| | Part # | Bulb Type | Bulb Life / *MTBF | Gooseneck |
|-----------|--------------------|--------------------------|-------------------|---------------|
| Lampset | ELIGHT L-3/12 | Dimmable 5-Watt Halogen | 2,000 Hours | 12" Permanent |
| | ELIGHT L-3/18 | Dimmable 5-Watt Halogen | 2,000 Hours | 18" Permanent |
| | ELIGHT L-12-LED | Switchable Red/White LED | 10,000 Hours | 12" Permanent |
| | ELIGHT L-18-LED | Switchable Red/White LED | 10,000 Hours | 18" Permanent |
| Racklight | ELIGHT RL-10-S | Dimmable 5-Watt Halogen | 2,000 Hours | 12" Permanent |
| | ELIGHT RL-10-D | Dimmable 5-Watt Halogen | 2,000 Hours | 12" Permanent |
| | ELIGHT RL-10-S-LED | Switchable Red/White LED | 10,000 Hours | 12" Permanent |
| | ELIGHT RL-10-D-LED | Switchable Red/White LED | 10,000 Hours | 12" Permanent |
| | ELIGHT 12X-HI | Dimmable 5-Watt Halogen | 2,000 Hours | 12" Removable |
| | ELIGHT 18X-HI | Dimmable 5-Watt Halogen | 2,000 Hours | 18" Removable |
| | ELIGHT 12X-LED | Switchable Red/White LED | 10,000 Hours | 12" Removable |
| | ELIGHT 18X-LED | Switchable Red/White LED | 10,000 Hours | 18" Removable |

*Mean Time Before Failure

Build Your Own Racklight



Part Number

ELIGHT RLX

1U rack mount panel with two 3-pin XLR connectors for use with 3-pin goosenecks. Includes 12-Volt power supply with 6ft. cord. Gooseneck(s) sold separately.



Part Number

ELIGHT 12X-HI

12" high intensity (5-Watt halogen) gooseneck for use with any standard 3-pin XLR connector.

Part Number

ELIGHT 18X-HI

18" high intensity (5-Watt halogen) gooseneck for use with any standard 3-pin XLR connector.

Part Number

ELIGHT 12X-LED

12" low intensity LED gooseneck with 3-pin XLR connector. Light output is white.

Part Number

ELIGHT 18X-LED

18" low intensity LED gooseneck with 3-pin XLR connector. Light output is white.

Lampsets

Lampsets shed light exactly where you need it. Lampsets are available with 12" or 18" gooseneck lengths and include bulb, chassis and fully adjustable dimmer. Each lampset includes a 12-Volt power supply, a snap mount set^(SM) for easy removable mounting and screws for permanent mounting.



Part Number

ELIGHT L-3/12

High intensity (5-Watt halogen) lampset with a 12" gooseneck permanently attached. The gooseneck is controlled by a dimmer switch. Includes 12-Volt power supply with 6ft. cord and 5-Watt halogen bulb.

Part Number

ELIGHT L-3/18

High intensity (5-Watt halogen) lampset with an 18" gooseneck permanently attached. The gooseneck is controlled by a dimmer switch. Includes 12-Volt power supply with 6ft. cord and 5-Watt halogen bulb.

Part Number

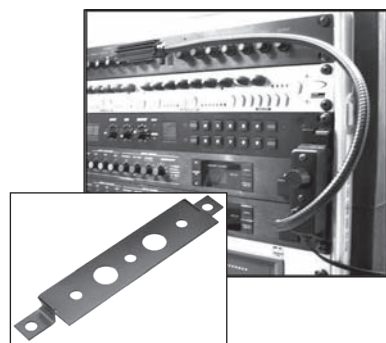
ELIGHT L-12-LED

Low intensity LED lampset with a 12" gooseneck permanently attached. A three-way rotary switch enables user to toggle between white light and red light output. Includes 12-Volt power supply with 6ft. cord.

Part Number

ELIGHT L-18-LED

Low-intensity LED lampset with an 18" gooseneck permanently attached. A three-way rotary switch enables the user to toggle between white light and red light output. Includes 12-Volt power supply with 6ft. cord.



Part Number

ELIGHT RAKIT

This bracket allows you to mount a lampset to your rack without using any rack space. The bracket spans a 3U rack space and will not interfere with rack mounted equipment controls.



Part Number

ELIGHT CWB

Turn your lampset into a desk light with a Cast Weighted Base. This design features four rubber feet for maximum stability.

General Accessories

Use these accessories with either Racklights or Lampsets



Part Number

ELIGHT WYE

This splitter cable connects multiple goosenecks to a single power supply.

Use WYE with halogen lights.



Part Number

ELIGHT PYE

This splitter cable connects multiple goosenecks to a single power supply.

Use PYE with LED lights.



Part Number

ELIGHT Q5

5-Watt halogen replacement bulb.

Light Duty Shelf

Light Duty Shelf [- [e](#) Select items available. Refer to the Instant Emcor reference manual.]

Light Duty shelves provide an easy method of storing non-rack mount style equipment in a frame. The shelf attaches to the front flange of the mounting rails and require no rear attachment point. An adjustable backstop is provided for alignment.

- Load capacity: 50-lbs. evenly distributed.

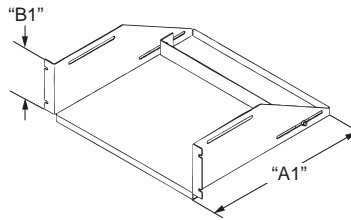
Note

The bottom flange of this shelf intrudes .750" on the rack space below. Items that take up internal space cannot be mounted directly below this shelf.

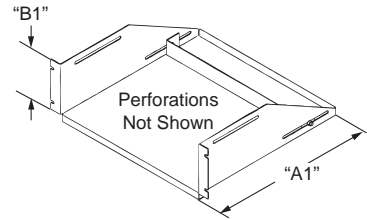
Part Numbers

| 19" EIA Width | | "A1" Shelf Depth | "B1" # of Rack Units Used | |
|----------------|-------------------|------------------------|---------------------------------|----|
| Solid | Perforated | | | |
| SH-1619 | SH-1619-PA | 16.500 | 5.250 | 3U |

| 24" EIA Width | | "A1" Shelf Depth | "B1" # of Rack Units Used | |
|----------------|-------------------|------------------------|---------------------------------|----|
| Solid | Perforated | | | |
| SH-1624 | SH-1624-PA | 16.500 | 5.250 | 3U |



Solid
[14-gauge steel]



Perforated
[14-gauge steel]

Enclosed Shelf

Using this sturdy enclosed shelf, non-rack mounted equipment can be safely positioned within the enclosure. The shelf attaches to the front flange of the mounting rails and require no rear attachment point. An adjustable backstop is provided for alignment.

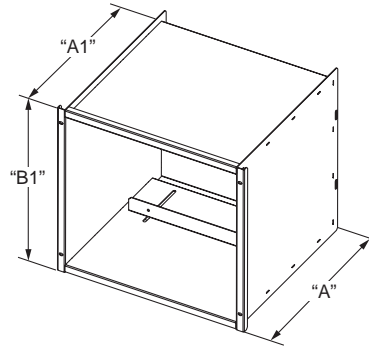
- Load capacity: 50-lbs. evenly distributed.

Part Numbers

| 19" EIA Width | | | |
|----------------|------------------------|---------------------------------|-----|
| Solid | "A1" Shelf Depth | "B1" # of Rack Units Used | |
| ME-1719 | 17.750 | 17.500 | 10U |
| ME-2419 | 17.750 | 24.500 | 14U |

| 24" EIA Width | | | |
|----------------|------------------------|---------------------------------|-----|
| Solid | "A1" Shelf Depth | "B1" # of Rack Units Used | |
| ME-1724 | 17.750 | 17.500 | 10U |
| ME-2424 | 17.750 | 24.500 | 14U |

| 30" EIA Width | | | |
|----------------|------------------------|---------------------------------|-----|
| Solid | "A1" Shelf Depth | "B1" # of Rack Units Used | |
| ME-1730 | 17.750 | 17.500 | 10U |
| ME-2430 | 17.750 | 24.500 | 14U |



Enclosed Shelf
[16-gauge steel]

Book Shelf

Book Shelf

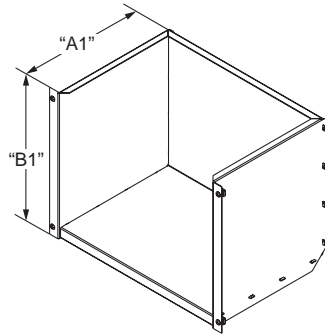
Available in two heights, book shelves are perfect for storing binders, service manuals, and other non-rack mount items. The shelf attaches to the front flange of the mounting rails and require no rear attachment point.

Load capacity: 50-lbs. evenly distributed.

Part Numbers

| 19" EIA Width | | | |
|--------------------|------------------------|---------------------------------|----|
| Solid | "A1" Shelf Depth | "B1" # of Rack Units Used | |
| FP2-BS 1019 | 12.700 | 10.500 | 6U |
| FP2-BS 1419 | 12.700 | 14.000 | 8U |

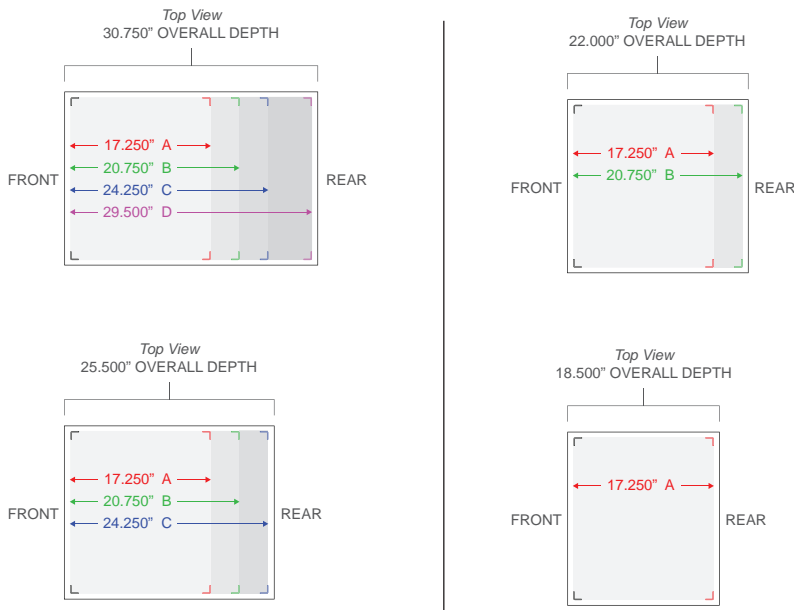
| 24" EIA Width | | | |
|--------------------|------------------------|---------------------------------|----|
| Solid | "A1" Shelf Depth | "B1" # of Rack Units Used | |
| FP2-BS 1024 | 12.700 | 10.500 | 6U |
| FP2-BS 1424 | 12.700 | 14.500 | 8U |



Book Shelf
[16-gauge steel]

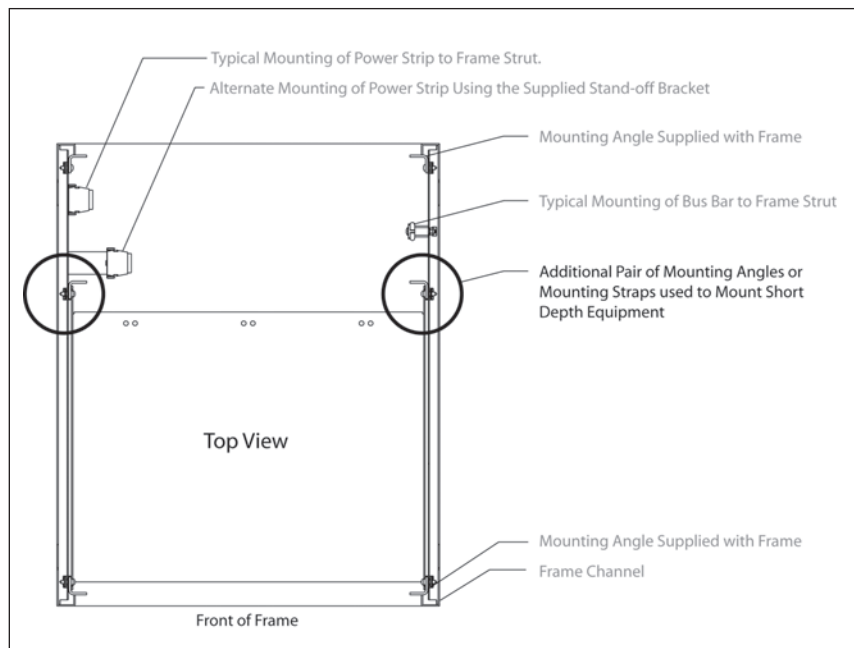
Rail to Rail Settings

The rear rails inside of a frame can be positioned in multiple locations, or multiple sets of rails may be used. The following images indicate standard rail locations that will allow Emcor components to be properly positioned based on frame depth.



Short Depth Equipment

When using full height items that mount to the rear mounting rails with other internal components such as fixed equipment shelves, chassis guides, work surface drawers, pull out shelves, and work surface hardware, these items must be ordered in a shorter depth so as not to interfere with the full height item. In most cases an extra pair of mounting rails or straps will need to be ordered to facilitate mounting of the shorter depth items. Refer to the example below.



Example

A customer requests a frame that has a 19" panel width, a depth of 30.75" and 40U of usable rack space. (SFR-307019) The customer requires a power strip and a bus bar, as well as a pull out shelf in the enclosure. What do you do?

Simply order a shorter depth shelf and an extra pair of mounting rails or straps.

In this case you would order:

- SCSQ-2519 - solid pull out shelf
- MS-70 - extra pair of mounting straps

1U Sliding Shelf

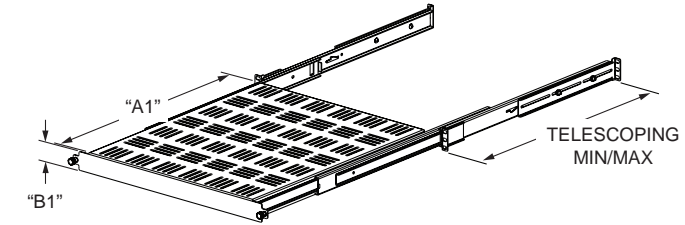
1U Sliding Shelf

Sliding shelves make it possible to slide equipment in and out of the enclosure for fast, easy accessibility. Heavy-duty ball bearing slides allow for ease of movement and feature a lock open option. The shelf can be flipped over and used as a tray if desired and comes with captive fasteners to lock the tray in the closed position. The vents aid in air flow management and are sized for #10 hardware. The 1U sliding shelf comes in a black power coat.

- SHS-1U-20 load capacity: 112-lbs. evenly distributed.
- SHS-1U-28 load capacity: 90-lbs. evenly distributed.

Part Numbers

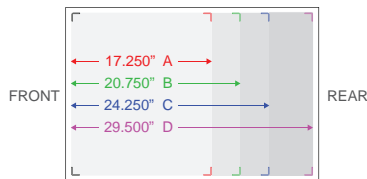
| 19" EIA Width | "A1" Shelf Depth | "B1" # of Rack Units Used | Telescoping Min/Max Depth |
|------------------|------------------|---------------------------|---------------------------|
| Vented | | | |
| SHS-1U-20 | 20.000 | 1.750 | 1U 21.000" - 26.000" |
| SHS-1U-28 | 28.000 | 1.750 | 1U 29.000" - 34.000" |



1U Sliding Shelf
[14-gauge steel]

Rail to Rail Settings (mounts to rails only)

This item requires both a front and rear attach point. Since the rear rails inside of a frame can be positioned in multiple locations, or multiple sets of rails may be used, be to double check that the telescoping Max/Min depth is within the constraints of your rail settings.



1U Fixed Adjustable Depth Shelf

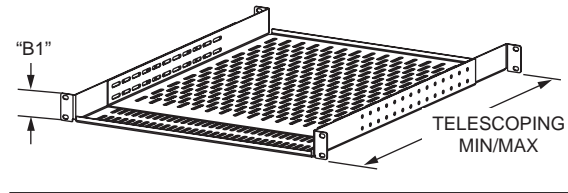
1U Fixed Adjustable Depth Shelf

Why lock your rail settings, as determined by the depth of the shelf? This shelf has telescopic rear mount for increased versatility, while providing the stability of 4-point mounting. The side lip prevents item or equipment from sliding off the shelf. Vents aid in airflow management. The shelf comes in black powder coat finish.

- Load capacity: 250-lbs. evenly distributed.

Part Numbers

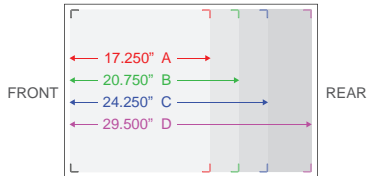
| | | |
|---------------------|---------------------------------|------------------------------|
| 19" EIA Width | | |
| Vented | "B1" # of Rack Units Used | Telescoping Min/Max Depth |
| SHF-1U-22-36 | 1.750 1U | 22.000" - 36.000" |



1U Fixed Shelf
[14-gauge steel]

Rail to Rail Settings (mounts to rails only)

This item requires both a front and rear attach point. Since the rear rails inside of a frame can be positioned in multiple locations, or multiple sets of rails may be used, be to double check that the telescoping Max/Min depth is within the constraints of your rail settings.



Retractable Keyboard Tray

Retractable Keyboard Tray [Select items available. Refer to the Instant Emcor reference manual.]

Retractable keyboard trays provide the flexibility to incorporate a full size keyboard within a 19" EIA width frame. The keyboard tray is housed within the enclosure in a "front-to-rear" orientation. To access the keyboard, simply pull the tray outward until it locks into the open position. The keyboard tray can then be rotated 90° and affixed into position for operator use. A low profile mouse pad is incorporated onto the front of the tray across its entire width. In order to stow the keyboard back into the enclosure, rotate the tray 90°, unlatch the locking slide, and retract the tray back into the frame.

Part Number

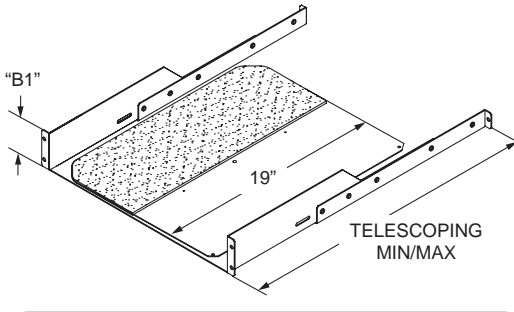
| | | | |
|-------------------|---------------------------------|----|------------------------------|
| 19" EIA Width | | | |
| | "B1" # of Rack Units Used | 2U | Telescoping Min/Max Depth |
| RKT-0319-S | 3.500 | 2U | 17.000" - 30.375" |

Optional Hinged Access Panel

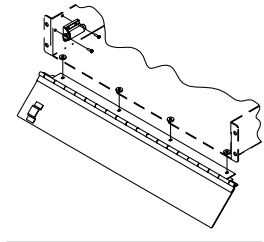
An optional hinged access panel is available for those users that wish to close off the 2U opening when the keyboard is stowed.

Part Number

| |
|------------------|
| KTAP-0319 |
|------------------|



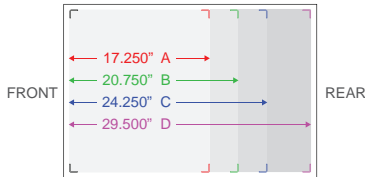
Keyboard Tray



Access Panel
[mounts directly to tray]

Rail to Rail Settings (mounts to rails only)

This item requires both a front and rear attach point. Since the rear rails inside of a frame can be positioned in multiple locations, or multiple sets of rails may be used, be to double check that the telescoping Max/Min depth is within the constraints of your rail settings.



Chassis Guides [ Select items available. Refer to the Instant Emcor reference manual.]

Chassis guides (sold as pairs) are used to support heavy equipment by means of angular steel support members, leaving the bottom of the mounted equipment exposed for cooling or servicing. Chassis guides are mounted flange side down, unless otherwise specified.

- Load capacity: 200-lbs. evenly distributed.

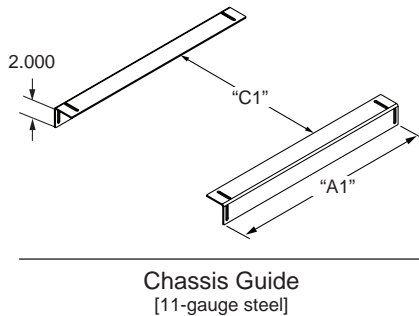
Note

Due to the thickness of the material, chassis guides interfere .125" on both the rack space above and below where this item is mounted. Items that take up internal space cannot be mounted directly above or below chassis guides.

Part Numbers

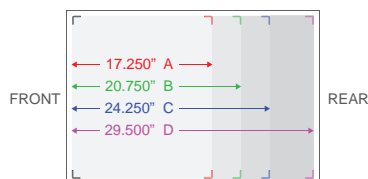
| | "A1" Chassis Guide Depth | # of Rack Units Used | | Fits w/ this Rail to Rail Setting | "C1" | "C1" | "C1" |
|--------------|--------------------------------|-------------------------|----|---|---------------|---------------|---------------|
| | | 1.750 | 1U | | 19" EIA Width | 24" EIA Width | 30" EIA Width |
| CG-18 | 16.562 | 1.750 | 1U | A 17.250" | 15.406 | 20.406 | 26.406 |
| CG-22 | 20.062 | 1.750 | 1U | B 20.750" | 15.406 | 20.406 | 26.406 |
| CG-25 | 23.562 | 1.750 | 1U | C 24.250" | 15.406 | 20.406 | 26.406 |
| CG-30 | 28.812 | 1.750 | 1U | D 29.500" | 15.406 | 20.406 | 26.406 |

"C1" Distance Between Chassis Guides



Rail to Rail Settings (mounts to rails or straps - not square hole rails)

This item requires both a front and rear attach point. Since the rear rails inside of a frame can be positioned in multiple locations, or multiple sets of rails may be used, be sure to select the proper part number based on the rail settings. The following image indicates standard rail locations that will allow this item to be properly positioned.



Heavy Duty Shelves

Heavy Duty Shelves [Select items available. Refer to the Instant Emcor reference manual.]

Heavy duty shelves are designed to fit anywhere within the usable rack space of an enclosure to house non-rack mounted equipment.

- Solid style load capacity: 350-lbs. evenly distributed.
- Perforated style load capacity: 200-lbs. evenly distributed.

Note

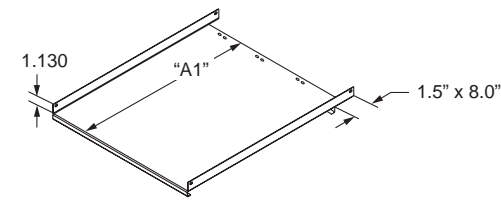
The bottom flange of this shelf intrudes .613" on the rack space below. Items that take up internal space cannot be mounted directly below this shelf.

Part Numbers

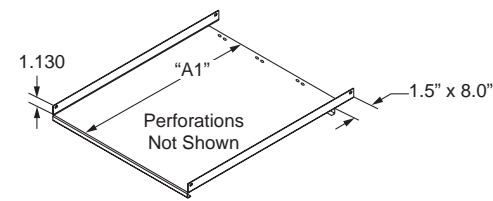
| 19" EIA Width | | "A1" Shelf Depth | # of Rack Units Used | Fits w/ this Rail to Rail Setting |
|-----------------|--------------------|------------------|----------------------|-----------------------------------|
| Solid | Perforated | | | |
| SES-1819 | SES-1819-PA | 14.875 | 1.750 | 1U A 17.250" |
| SES-2219 | SES-2219-PA | 18.375 | 1.750 | 1U B 20.750" |
| SES-2519 | SES-2519-PA | 21.875 | 1.750 | 1U C 24.250" |
| SES-3019 | SES-3019-PA | 27.125 | 1.750 | 1U D 29.500" |

| 24" EIA Width | | "A1" Shelf Depth | # of Rack Units Used | Fits w/ this Rail to Rail Setting |
|-----------------|--------------------|------------------|----------------------|-----------------------------------|
| Solid | Perforated | | | |
| SES-1824 | SES-1824-PA | 14.875 | 1.750 | 1U A 17.250" |
| SES-2224 | SES-2224-PA | 18.375 | 1.750 | 1U B 20.750" |
| SES-2524 | SES-2524-PA | 21.875 | 1.750 | 1U C 24.250" |
| SES-3024 | SES-3024-PA | 27.125 | 1.750 | 1U D 29.500" |

| 30" EIA Width | | "A1" Shelf Depth | # of Rack Units Used | Fits w/ this Rail to Rail Setting |
|-----------------|--------------------|------------------|----------------------|-----------------------------------|
| Solid | Perforated | | | |
| SES-1830 | SES-1830-PA | 14.875 | 1.750 | 1U A 17.250" |
| SES-2230 | SES-2230-PA | 18.375 | 1.750 | 1U B 20.750" |
| SES-2530 | SES-2530-PA | 21.875 | 1.750 | 1U C 24.250" |
| SES-3030 | SES-3030-PA | 27.125 | 1.750 | 1U D 29.500" |



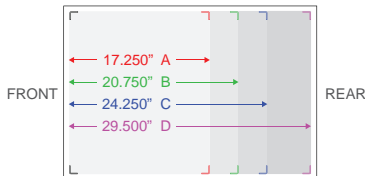
Solid
[14-gauge steel]



Perforated
[14-gauge steel]

Rail to Rail Settings (mounts to rails or straps - not square hole rails)

This item requires both a front and rear attach point. Since the rear rails inside of a frame can be positioned in multiple locations, or multiple sets of rails may be used, be sure to select the proper part number based on the rail settings. The following image indicates standard rail locations that will allow this item to be properly positioned.



2U Sliding Shelves [E Select items available. Refer to the Instant Emcor reference manual.]

Sliding, or Pull-out shelves make it possible to slide equipment in and out of the enclosure for fast, easy accessibility. Heavy-duty ball bearing slides allow for ease of movement and have a quick disconnect feature. Upon request, the shelf can be flipped over and used as a tray if desired (1.625" thick)

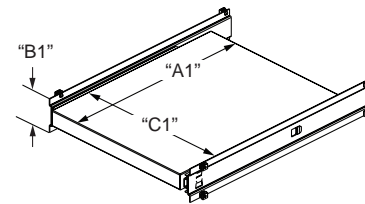
- Load capacity: 90-lbs. evenly distributed.
- Shelf extension: 17" from front of the enclosure.

Part Numbers

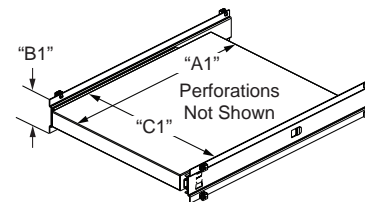
| 19" EIA Width | | "A1" Shelf Depth | "C1" Shelf Width | "B1" # of Rack Units Used | | Fits w/ this Rail to Rail Setting |
|------------------|---------------------|------------------------|------------------------|---------------------------------|----|---|
| Solid | Perforated | | | | | |
| SCSQ-1819 | not available | 16.750 | 16.320 | 3.500 | 2U | A 17.250" |
| SCSQ-2219 | SCSQ-2219-PA | 20.250 | 16.320 | 3.500 | 2U | B 20.750" |
| SCSQ-2519 | SCSQ-2519-PA | 20.250 | 16.320 | 3.500 | 2U | C 24.250" |
| SCSQ-3019 | SCSQ-3019-PA | 20.250 | 16.320 | 3.500 | 2U | D 29.500" |

| 24" EIA Width | | "A1" Shelf Depth | "C1" Shelf Width | "B1" # of Rack Units Used | | Fits w/ this Rail to Rail Setting |
|------------------|---------------------|------------------------|------------------------|---------------------------------|----|---|
| Solid | Perforated | | | | | |
| SCSQ-1824 | not available | 16.750 | 21.320 | 3.500 | 2U | A 17.250" |
| SCSQ-2224 | SCSQ-2224-PA | 20.250 | 21.320 | 3.500 | 2U | B 20.750" |
| SCSQ-2524 | SCSQ-2524-PA | 20.250 | 21.320 | 3.500 | 2U | C 24.250" |
| SCSQ-3024 | SCSQ-3024-PA | 20.250 | 21.320 | 3.500 | 2U | D 29.500" |

| 30" EIA Width | | "A1" Shelf Depth | "C1" Shelf Width | "B1" # of Rack Units Used | | Fits w/ this Rail to Rail Setting |
|------------------|---------------|------------------------|------------------------|---------------------------------|----|---|
| Solid | Perforated | | | | | |
| SCSQ-1830 | not available | 16.750 | 27.320 | 3.500 | 2U | A 17.250" |
| SCSQ-2230 | not available | 20.250 | 27.320 | 3.500 | 2U | B 20.750" |
| SCSQ-2530 | not available | 20.250 | 27.320 | 3.500 | 2U | C 24.250" |
| SCSQ-3030 | not available | 20.250 | 27.320 | 3.500 | 2U | D 29.500" |



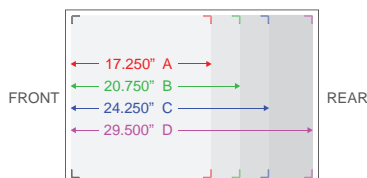
Solid
[18-gauge steel]



Perforated
[16-gauge steel]

Rail to Rail Settings (mounts to rails or straps - not square hole rails)

This item requires both a front and rear attach point. Since the rear rails inside of a frame can be positioned in multiple locations, or multiple sets of rails may be used, be sure to select the proper part number based on the rail settings. The following image indicates standard rail locations that will allow this item to be properly positioned.



Drawers

Drawers

Drawers provide for efficient storage and easy access of system support materials. Heavy-duty ball bearing slides allow for ease of movement.

- Load capacity: 90-lbs. evenly distributed.
- Drawer extension: 17" from front of the enclosure.

Part Numbers

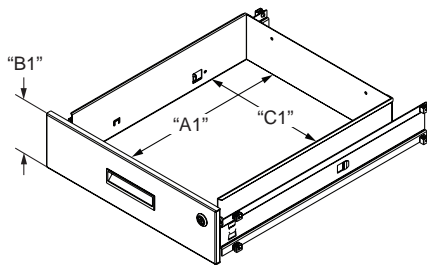
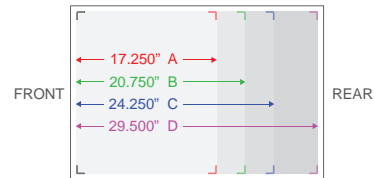
| 19" EIA Width | | "A1" Drawer Depth | "C1" Drawer Width | "B1" # of Rack Units Used | Fits w/ this Rail to Rail Setting |
|---------------|----------------|-------------------------|-------------------------|---------------------------------|---|
| Non-Locking | Locking | | | | |
| SDRQ-180319 | not available | 16.973 | 16.224 | 3.500 2U | A 17.250" |
| SDRQ-220319 | not available | 20.473 | 16.224 | 3.500 2U | B 20.750" |
| SDRQ-250319 | not available | 20.473 | 16.224 | 3.500 2U | C 24.250" |
| SDRQ-300319 | not available | 20.473 | 16.224 | 3.500 2U | D 29.500" |
| SDRQ-180519 | SDRQ-180519-LK | 16.973 | 16.224 | 5.250 3U | A 17.250" |
| SDRQ-220519 | SDRQ-220519-LK | 20.473 | 16.224 | 5.250 3U | B 20.750" |
| SDRQ-250519 | SDRQ-250519-LK | 20.473 | 16.224 | 5.250 3U | C 24.250" |
| SDRQ-300519 | SDRQ-300519-LK | 20.473 | 16.224 | 5.250 3U | D 29.500" |
| SDRQ-180719 | SDRQ-180719-LK | 16.973 | 16.224 | 7.000 4U | A 17.250" |
| SDRQ-220719 | SDRQ-220719-LK | 20.473 | 16.224 | 7.000 4U | B 20.750" |
| SDRQ-250719 | SDRQ-250719-LK | 20.473 | 16.224 | 7.000 4U | C 24.250" |
| SDRQ-300719 | SDRQ-300719-LK | 20.473 | 16.224 | 7.000 4U | D 29.500" |
| SDRQ-180819 | SDRQ-180819-LK | 16.973 | 16.224 | 8.750 5U | A 17.250" |
| SDRQ-220819 | SDRQ-220819-LK | 20.473 | 16.224 | 8.750 5U | B 20.750" |
| SDRQ-250819 | SDRQ-250819-LK | 20.473 | 16.224 | 8.750 5U | C 24.250" |
| SDRQ-300819 | SDRQ-300819-LK | 20.473 | 16.224 | 8.750 5U | D 29.500" |
| SDRQ-181019 | SDRQ-181019-LK | 16.973 | 16.224 | 10.500 6U | A 17.250" |
| SDRQ-221019 | SDRQ-221019-LK | 20.473 | 16.224 | 10.500 6U | B 20.750" |
| SDRQ-251019 | SDRQ-251019-LK | 20.473 | 16.224 | 10.500 6U | C 24.250" |
| SDRQ-301019 | SDRQ-301019-LK | 20.473 | 16.224 | 10.500 6U | D 29.500" |
| SDRQ-181419 | SDRQ-181419-LK | 16.973 | 16.224 | 14.000 8U | A 17.250" |
| SDRQ-221419 | SDRQ-221419-LK | 20.473 | 16.224 | 14.000 8U | B 20.750" |
| SDRQ-251419 | SDRQ-251419-LK | 20.473 | 16.224 | 14.000 8U | C 24.250" |
| SDRQ-301419 | SDRQ-301419-LK | 20.473 | 16.224 | 14.000 8U | D 29.500" |

See next page for 24" & 30" EIA width part numbers.

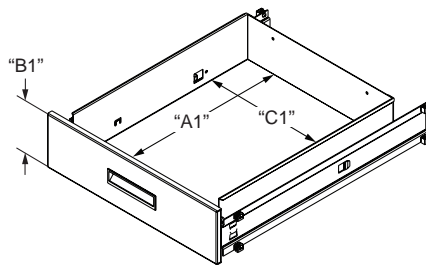
Rail to Rail Settings

(mounts to rails or straps - not square hole rails)

This item requires both a front and rear attach point. Since the rear rails inside of a frame can be positioned in multiple locations, or multiple sets of rails may be used, be sure to select the proper part number based on the rail settings. The following image indicates standard rail locations that will allow this item to be properly positioned.



Locking Drawer



Non-Locking Drawer

Drawer Part Numbers Continued

| 24" EIA Width | | "A1" Drawer Depth | "C1" Drawer Width | "B1" # of Rack Units Used | | Fits w/ this Rail to Rail Setting |
|---------------|----------------|-------------------------|-------------------------|---------------------------------|----|---|
| Non-Locking | Locking | | | | | |
| SDRQ-180324 | not available | 16.973 | 21.224 | 3.500 | 2U | A 17.250" |
| SDRQ-220324 | not available | 20.473 | 21.224 | 3.500 | 2U | B 20.750" |
| SDRQ-250324 | not available | 20.473 | 21.224 | 3.500 | 2U | C 24.250" |
| SDRQ-300324 | not available | 20.473 | 21.224 | 3.500 | 2U | D 29.500" |
| SDRQ-180524 | SDRQ-180524-LK | 16.973 | 21.224 | 5.250 | 3U | A 17.250" |
| SDRQ-220524 | SDRQ-220524-LK | 20.473 | 21.224 | 5.250 | 3U | B 20.750" |
| SDRQ-250524 | SDRQ-250524-LK | 20.473 | 21.224 | 5.250 | 3U | C 24.250" |
| SDRQ-300524 | SDRQ-300524-LK | 20.473 | 21.224 | 5.250 | 3U | D 29.500" |
| SDRQ-180724 | SDRQ-180724-LK | 16.973 | 21.224 | 7.000 | 4U | A 17.250" |
| SDRQ-220724 | SDRQ-220724-LK | 20.473 | 21.224 | 7.000 | 4U | B 20.750" |
| SDRQ-250724 | SDRQ-250724-LK | 20.473 | 21.224 | 7.000 | 4U | C 24.250" |
| SDRQ-300724 | SDRQ-300724-LK | 20.473 | 21.224 | 7.000 | 4U | D 29.500" |
| SDRQ-180824 | SDRQ-180824-LK | 16.973 | 21.224 | 8.750 | 5U | A 17.250" |
| SDRQ-220824 | SDRQ-220824-LK | 20.473 | 21.224 | 8.750 | 5U | B 20.750" |
| SDRQ-250824 | SDRQ-250824-LK | 20.473 | 21.224 | 8.750 | 5U | C 24.250" |
| SDRQ-300824 | SDRQ-300824-LK | 20.473 | 21.224 | 8.750 | 5U | D 29.500" |
| SDRQ-181024 | SDRQ-181024-LK | 16.973 | 21.224 | 10.500 | 6U | A 17.250" |
| SDRQ-221024 | SDRQ-221024-LK | 20.473 | 21.224 | 10.500 | 6U | B 20.750" |
| SDRQ-251024 | SDRQ-251024-LK | 20.473 | 21.224 | 10.500 | 6U | C 24.250" |
| SDRQ-301024 | SDRQ-301024-LK | 20.473 | 21.224 | 10.500 | 6U | D 29.500" |
| SDRQ-181424 | SDRQ-181424-LK | 16.973 | 21.224 | 14.000 | 8U | A 17.250" |
| SDRQ-221424 | SDRQ-221424-LK | 20.473 | 21.224 | 14.000 | 8U | B 20.750" |
| SDRQ-251424 | SDRQ-251424-LK | 20.473 | 21.224 | 14.000 | 8U | C 24.250" |
| SDRQ-301424 | SDRQ-301424-LK | 20.473 | 21.224 | 14.000 | 8U | D 29.500" |

| 30" EIA Width | | "A1" Drawer Depth | "C1" Drawer Width | "B1" # of Rack Units Used | | Fits w/ this Rail to Rail Setting |
|---------------|----------------|-------------------------|-------------------------|---------------------------------|----|---|
| Non-Locking | Locking | | | | | |
| SDRQ-180330 | not available | 16.973 | 27.224 | 3.500 | 2U | A 17.250" |
| SDRQ-220330 | not available | 20.473 | 27.224 | 3.500 | 2U | B 20.750" |
| SDRQ-250330 | not available | 20.473 | 27.224 | 3.500 | 2U | C 24.250" |
| SDRQ-180530 | SDRQ-180530-LK | 16.973 | 27.224 | 5.250 | 3U | A 17.250" |
| SDRQ-220530 | SDRQ-220530-LK | 20.473 | 27.224 | 5.250 | 3U | B 20.750" |
| SDRQ-250530 | SDRQ-250530-LK | 20.473 | 27.224 | 5.250 | 3U | C 24.250" |
| SDRQ-180730 | SDRQ-180730-LK | 16.973 | 27.224 | 7.000 | 4U | A 17.250" |
| SDRQ-220730 | SDRQ-220730-LK | 20.473 | 27.224 | 7.000 | 4U | B 20.750" |
| SDRQ-250730 | SDRQ-250730-LK | 20.473 | 27.224 | 7.000 | 4U | C 24.250" |
| SDRQ-180830 | SDRQ-180830-LK | 16.973 | 27.224 | 8.750 | 5U | A 17.250" |
| SDRQ-220830 | SDRQ-220830-LK | 20.473 | 27.224 | 8.750 | 5U | B 20.750" |
| SDRQ-250830 | SDRQ-250830-LK | 20.473 | 27.224 | 8.750 | 5U | C 24.250" |
| SDRQ-181030 | SDRQ-181030-LK | 16.973 | 27.224 | 10.500 | 6U | A 17.250" |
| SDRQ-221030 | SDRQ-221030-LK | 20.473 | 27.224 | 10.500 | 6U | B 20.750" |
| SDRQ-251030 | SDRQ-251030-LK | 20.473 | 27.224 | 10.500 | 6U | C 24.250" |
| SDRQ-181430 | SDRQ-181430-LK | 16.973 | 27.224 | 14.000 | 8U | A 17.250" |
| SDRQ-221430 | SDRQ-221430-LK | 20.473 | 27.224 | 14.000 | 8U | B 20.750" |
| SDRQ-251430 | SDRQ-251430-LK | 20.473 | 27.224 | 14.000 | 8U | C 24.250" |

Drawer with Lift Lid

Drawer with Lid

These drawers can be used for storing equipment which requires easy access, or as a pull-out writing shelf. Heavy-duty ball bearing slides allow for ease of movement and have a quick disconnect feature. Both paint and laminate color selection is necessary at time of order placement.

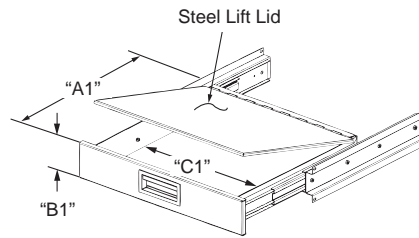
- Load capacity: 90-lbs. evenly distributed.
- Drawer extension: 17" from front of the enclosure.

Part Numbers

| 19" EIA Width | | | | | |
|------------------|-------------------------|-------------------------|---------------------------------|----|---|
| Non-Locking | "A1" Drawer Depth | "C1" Drawer Width | "B1" # of Rack Units Used | | Fits w/ this Rail to Rail Setting |
| SRSQ-1819 | 16.960 | 16.224 | 3.5000 | 2U | A 17.250" |
| SRSQ-2219 | 16.960 | 16.224 | 3.5000 | 2U | B 20.750" |
| SRSQ-2519 | 16.960 | 16.224 | 3.5000 | 2U | C 24.250" |
| SRSQ-3019 | 16.960 | 16.224 | 3.5000 | 2U | D 29.500" |

| 24" EIA Width | | | | | |
|------------------|-------------------------|-------------------------|---------------------------------|----|---|
| Non-Locking | "A1" Drawer Depth | "C1" Drawer Width | "B1" # of Rack Units Used | | Fits w/ this Rail to Rail Setting |
| SRSQ-1824 | 16.960 | 21.224 | 3.5000 | 2U | A 17.250" |
| SRSQ-2224 | 16.960 | 21.224 | 3.5000 | 2U | B 20.750" |
| SRSQ-2524 | 16.960 | 21.224 | 3.5000 | 2U | C 24.250" |
| SRSQ-3024 | 16.960 | 21.224 | 3.5000 | 2U | D 29.500" |

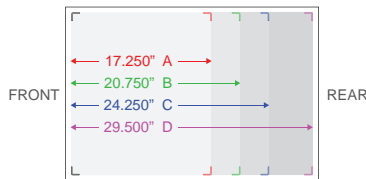
| 30" EIA Width | | | | | |
|------------------|-------------------------|-------------------------|---------------------------------|----|---|
| Non-Locking | "A1" Drawer Depth | "C1" Drawer Width | "B1" # of Rack Units Used | | Fits w/ this Rail to Rail Setting |
| SRSQ-1830 | 16.960 | 27.224 | 3.5000 | 2U | A 17.250" |
| SRSQ-2230 | 16.960 | 27.224 | 3.5000 | 2U | B 20.750" |
| SRSQ-2530 | 16.960 | 27.224 | 3.5000 | 2U | C 24.250" |
| SRSQ-3030 | 16.960 | 27.224 | 3.5000 | 2U | D 29.500" |



Drawer with Lid

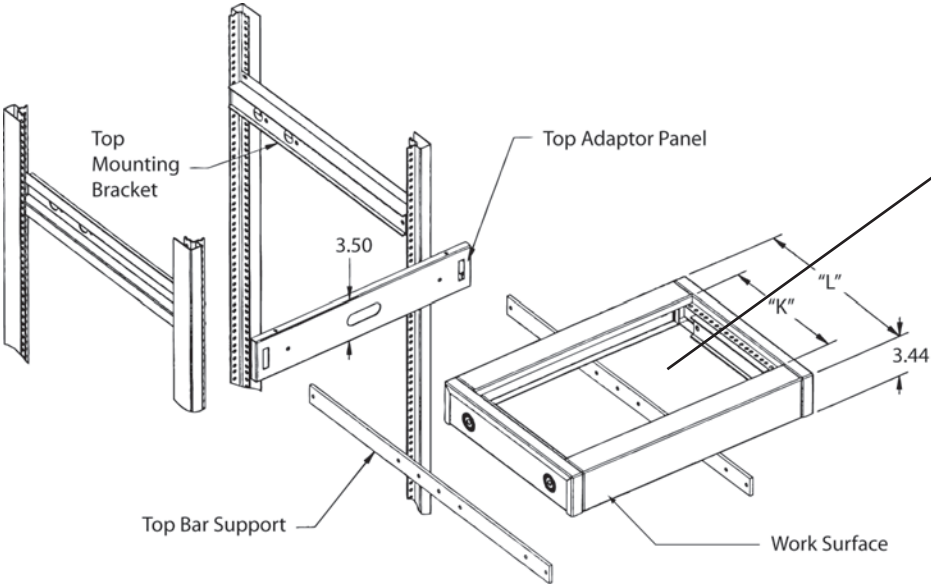
Rail to Rail Settings (mounts to rails or straps - not square hole rails)

This item requires both a front and rear attach point. Since the rear rails inside of a frame can be positioned in multiple locations, or multiple sets of rails may be used, be sure to select the proper part number based on the rail settings. The following image indicates standard rail locations that will allow this item to be properly positioned.



Steel Work Surfaces

Extended arm steel writing tops are designed to attach to the front of vertical, or slope front frames by means of an adapter panel, support bars and brackets. The open well design permits the insertion of a work surface panel, either steel or laminate. Or equipment can be mounted directly in the well area attaching to the mounting flange along the sides. The work surface frame and top adapter panel requires a color choice while the balance of support hardware is provided in a smooth black finish. If protection is required around the cable access cutout in the top adapter panel, grommet material can be ordered as an optional item under part number GMT-0012. Each cutout requires 1' of material. (Sold by the foot)



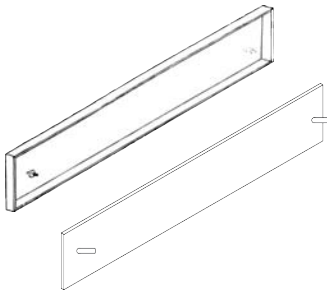
Open Well
Insert panel is placed in this area. It acts as the work surface. Choose from a solid steel or laminate panel, or mount equipment to the flanges.

Part Numbers

| 19" EIA Width | 24" EIA Width | 30" EIA Width | "L" Overall Depth | "K" Panel Depth | Fits w/ this Rail to Rail Setting |
|---------------|---------------|---------------|-------------------------|-----------------------|---|
| SFR-61A-18 | SFR-261A-18 | SFR-461A-18 | 15.000 | 10.500 | 6U A 17.250" |
| SFR-61A-22 | SFR-261A-22 | SFR-461A-22 | 15.000 | 10.500 | 6U B 20.750" |
| SFR-61A-25 | SFR-261A-25 | SFR-461A-25 | 15.000 | 10.500 | 6U C 24.250" |
| SFR-61A-31 | SFR-261A-31 | SFR-461A-31 | 15.000 | 10.500 | 6U D 24.250" |
| SFR-62A-18 | SFR-262A-18 | SFR-462A-18 | 18.500 | 14.000 | 8U A 17.250" |
| SFR-62A-22 | SFR-262A-22 | SFR-462A-22 | 18.500 | 14.000 | 8U B 20.750" |
| SFR-62A-25 | SFR-262A-25 | SFR-462A-25 | 18.500 | 14.000 | 8U C 24.250" |
| SFR-62A-31 | SFR-262A-31 | SFR-462A-31 | 18.500 | 14.000 | 8U D 24.250" |
| SFR-63A-18 | SFR-263A-18 | SFR-463A-18 | 22.000 | 17.500 | 10U A 17.250" |
| SFR-63A-22 | SFR-263A-22 | SFR-463A-22 | 22.000 | 17.500 | 10U B 20.750" |
| SFR-63A-25 | SFR-263A-25 | SFR-463A-25 | 22.000 | 17.500 | 10U C 24.250" |
| SFR-63A-31 | SFR-263A-31 | SFR-463A-31 | 22.000 | 17.500 | 10U D 24.250" |
| SFR-64A-18 | SFR-264A-18 | SFR-464A-18 | 25.500 | 21.000 | 12U A 17.250" |
| SFR-64A-22 | SFR-264A-22 | SFR-464A-22 | 25.500 | 21.000 | 12U B 20.750" |
| SFR-64A-25 | SFR-264A-25 | SFR-464A-25 | 25.500 | 21.000 | 12U C 24.250" |
| SFR-64A-31 | SFR-264A-31 | SFR-464A-31 | 25.500 | 21.000 | 12U D 24.250" |

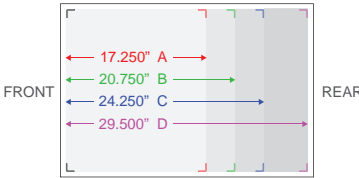
Side Panels

| Formed Inside Removable Solid | Flat Inside Removable Solid |
|-------------------------------------|-----------------------------------|
| SSP-61A | SSP-61A-FL |
| SSP-62A | SSP-62A-FL |
| SSP-63A | SSP-63A-FL |
| SSP-64A | SSP-64A-FL |



Rail to Rail Settings (mounts to rails or straps - not square hole rails)

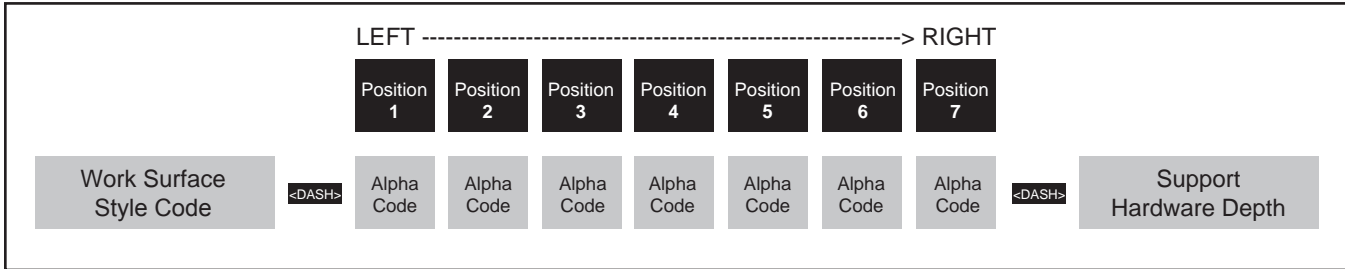
This item requires both a front and rear attach point. Since the rear rails inside of a frame can be positioned in multiple locations, or multiple sets of rails may be used, be sure to select the proper part number based on the rail settings. The following image indicates standard rail locations that will allow this item to be properly positioned.



Work Surfaces

The following procedure allows the most common work surface styles to be configured without vendor or factory assistance.

- Begin by determining which work surface style is to be ordered
- Insert the appropriate work surface style code.
- <DASH>
- Beginning in the left position of the configuration and continuing to the right, insert the appropriate alpha code.
- <DASH>
- Insert the depth of the support hardware needed.



| Work Surface Style Code Options | Configuration Alpha Code Options | *Rail to Rail Settings |
|---|--|--|
| WSL = laminate edge WST = t edge WSB = bull nose edge WSO = oak edge | A = 19" panel width frame C = 24" panel width frame E = 30" panel width frame G = 30° wedge H = 45° wedge | 18 = 17.250 (A) 22 = 20.750 (B) 25 = 24.250 (C) 30 = 29.500 (D) |

Laminate

The following laminate colors are available for the WSL, WST, WSB, and WSO work surface styles. Sample kits are available.

Part Numbers

| | |
|-----|---------------|
| 260 | Warm Cherry |
| 258 | Vintage Oak |
| 259 | Butternut |
| 250 | Antique White |
| 264 | String |

Part Numbers

| | |
|-----|--------------|
| 256 | Onyx |
| 262 | Speckle Gray |
| 255 | Granite |
| 263 | Birch |
| 252 | Sandstone |



Static Dissipative Laminate

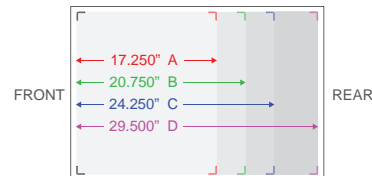
Static dissipative laminate available upon request. Ask about color availability and lead time.

Corian®

The ultimate in seamless elegance and durability, Corian solid surface writing surfaces are available in a wide range of patterns and colors. Some installations may require a local licensed Corian® contractor to finalize the install. Contact the factory for layout, edge style, lead time and pricing.

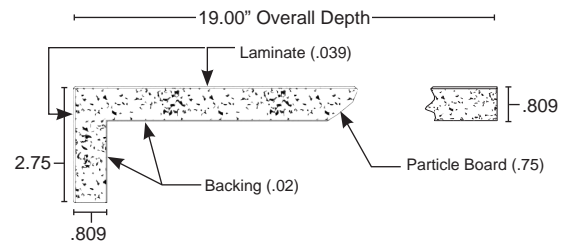
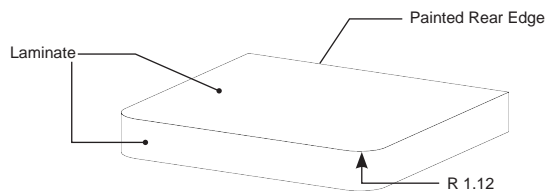
*Rail to Rail Settings

This item requires both a front and rear attach point. Since the rear rails inside of a frame can be positioned in multiple locations, or multiple sets of rails may be used, be sure to select the proper part number based on the rail settings. The following image indicates standard rail locations that will allow this item to be properly positioned.



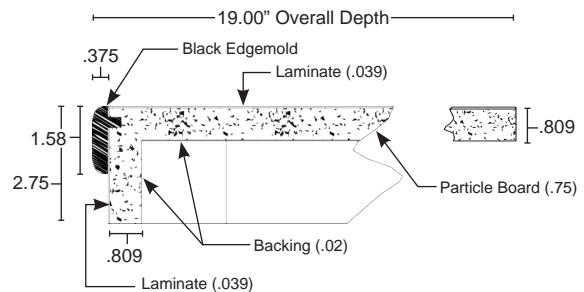
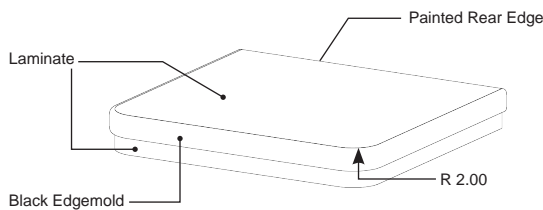
WSL: Laminate Edge Section View

One-piece laminated writing surface constructed of high quality plastic laminate bonded to a substrate of wood particle board. Rounded front corners provide a clean and aesthetically pleasing user interface.



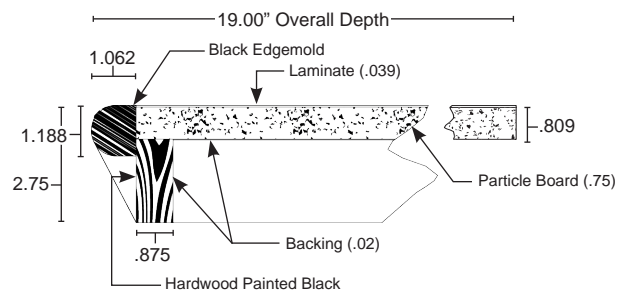
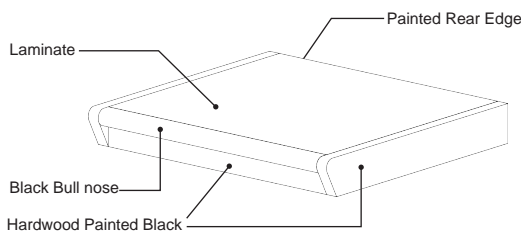
WST: T-edge Section View

Designed for high usage work areas, this writing surface style includes edge molding that adds durability and beauty to your work surface. The black colored edging is permanently adhered to the front and sides of the writing surface. The writing surface is constructed of high-quality laminate bonded to a wood particle board substrate.



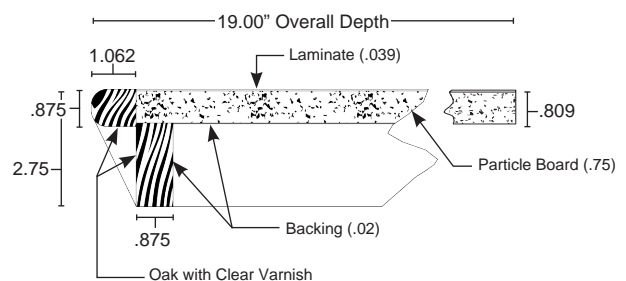
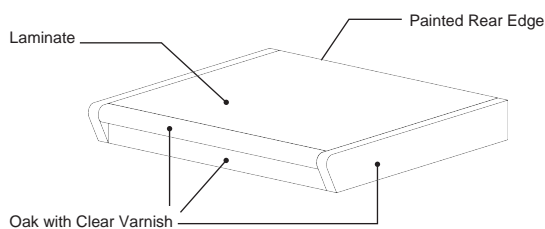
WSB: Bull Nose Edge Section View

This style writing surface combines a laminated top surface with hardwood sides and rubber front edge. The wood sides are painted black to match the front rubber edging. The combination of wood, laminate, and edging provides a pleasing contrast of materials and textures. The edging is semi-soft to touch and textured finish.



WSO: Oak Edge Section View

One-piece laminated writing surface constructed of high quality plastic laminate bonded to a substrate of wood particle board. Front rounded edges and sides are real oak, providing a rich appearance.

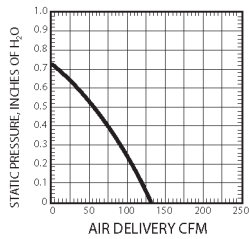


Blowers

Packaged Blowers [Select items available. Refer to the Instant Emcor reference manual.]

Packaged blowers have been designed to effectively cool critical electronic components within an enclosure by means of clean positive air pressure.

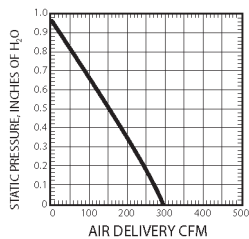
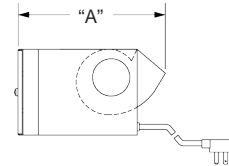
- 115 Volt AC power.
- Permanent washable filter which can be serviced without removing the blower from the rack.
- Operating temperature range: 20°F to 250°F.
- Fan Motors are UL component recognized; CSA certified.
- Motor: Shaded-pole, rust resistant shaft, double shielded ball bearings and permanently lubricated.
- Supplied with a 72" power cord with a NEMA 5-15P plug.



Part Number

| BL-125EG | | | | | | | | |
|----------|------|------|-------|-------|------|------------------|---------------------------|----|
| CFM | RPM | AMPS | | WATTS | NC** | "A" Blower Depth | "B1" # of Rack Units Used | |
| | | RUN | L.R.* | | | | | |
| 125 | 3000 | 0.9 | 1.2 | 70 | 50 | 9.031 | 5.250 | 3U |

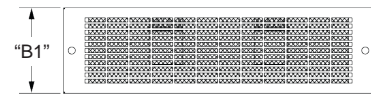
Adapter bracket part number **ABA-05** Weight 13.25 lbs.
Replacement filter part number **FI-0519**



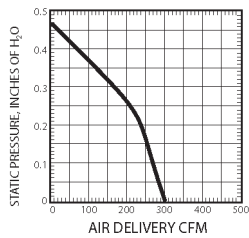
Part Number

| BL-290EG | | | | | | | | |
|----------|------|------|-------|-------|------|------------------|---------------------------|----|
| CFM | RPM | AMPS | | WATTS | NC** | "A" Blower Depth | "B1" # of Rack Units Used | |
| | | RUN | L.R.* | | | | | |
| 290 | 3050 | 1.8 | 2.5 | 125 | 60 | 9.031 | 5.250 | 3U |

Adapter bracket part number **ABA-05** Weight 14.25 lbs.
Replacement filter part number **FI-0519**



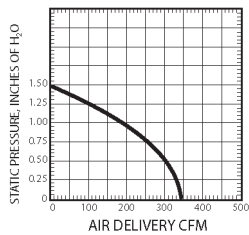
Blower Detail



Part Number

| BL-300EG | | | | | | | | |
|----------|------|------|-------|-------|------|------------------|---------------------------|----|
| CFM | RPM | AMPS | | WATTS | NC** | "A" Blower Depth | "B1" # of Rack Units Used | |
| | | RUN | L.R.* | | | | | |
| 300 | 1550 | 1.2 | 1.6 | 95 | 50 | 10.188 | 7.000 | 4U |

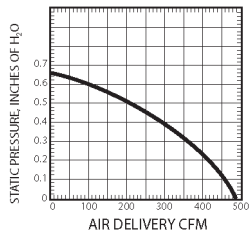
Adapter bracket part number **ABA-07** Weight 18.00 lbs.
Replacement filter part number **FI-0719**



Part Number

| BL-350EG | | | | | | | | |
|----------|------|------|-------|-------|------|------------------|---------------------------|----|
| CFM | RPM | AMPS | | WATTS | NC** | "A" Blower Depth | "B1" # of Rack Units Used | |
| | | RUN | L.R.* | | | | | |
| 350 | 3100 | 1.8 | 4 | 200 | 65 | 10.219 | 7.000 | 4U |

Adapter bracket part number **ABA-07** Weight 18.50 lbs.
Replacement filter part number **FI-0719**



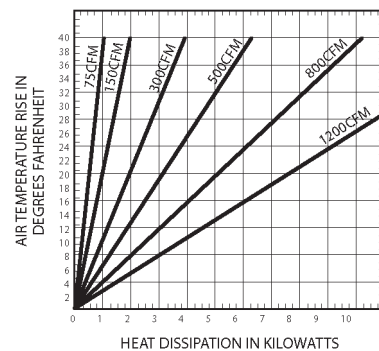
Part Number

| BL-500EG | | | | | | | | |
|----------|------|------|-------|-------|------|------------------|---------------------------|----|
| CFM | RPM | AMPS | | WATTS | NC** | "A" Blower Depth | "B1" # of Rack Units Used | |
| | | RUN | L.R.* | | | | | |
| 500 | 1700 | 1.6 | 3.5 | 140 | 55 | 11.563 | 8.750 | 5U |


Adapter bracket part number **ABA-08** Weight 24.50 lbs.
Replacement filter part number **FI-0819**

* Locked Rotor **Noise Criteria Air delivery based on operating at 115 volts, 60 HZ, single phase power.

PERFORMANCE LIMITS FOR CABINET COOLING BLOWERS



Note: The blowers fit 19" EIA panel width frames. When the blower is to be installed in a 24" EIA panel width frames, an adapter bracket is required. The correct adapter bracket number is listed on each table and must be ordered separately.

Fan Trays [ Select items available. Refer to the Instant Emcor reference manual.]

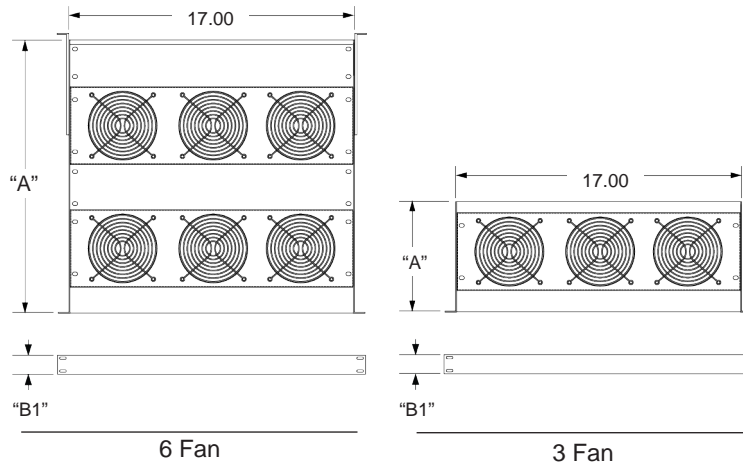
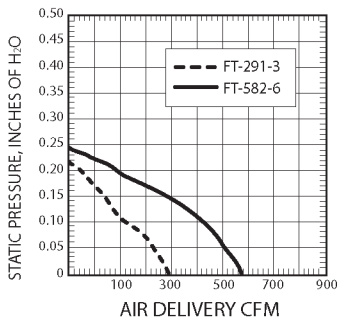
Fan trays mount to the front flange of the mounting rails and are primarily used for spot cooling within a frame.

- 115 Volt AC power.
- Fan Motors are UL component recognized; CSA certified.
- Exhaust guards on the top and bottom.
- Field adjustable filler strips to prevent the recirculation of air.
- Rear support brackets.
- Supplied with a 72" power cord with a NEMA 5-15P plug.

Part Numbers

| 19" EIA Width | # of Fans | CFM | Speed | Amps | | Volts | Watts | dBA | "A" Fan Tray Depth | "B1" # of Rack Units Used | | Rear Support Bracket Max Depth |
|-----------------|---|-----|-------|------|-------|-------|-------|-----|--------------------|---------------------------|----|--------------------------------|
| | | | | RUN | L.R.* | | | | | 1.75 | 1U | |
| FT-291-3 | 3 | 291 | 3225 | 0.48 | 0.72 | 115 | 39.9 | 58 | 8.000 | 1.75 | 1U | - |
| FT-582-6 | 6 | 582 | 3225 | 0.96 | 1.44 | 115 | 79.8 | 60 | 18.750 | 1.75 | 1U | 26.00" |
| FT-873-9 | Nine (9) fan, 873 CFM fan tray units are available. Contact the factory for pricing and availability. | | | | | | | | | | | |

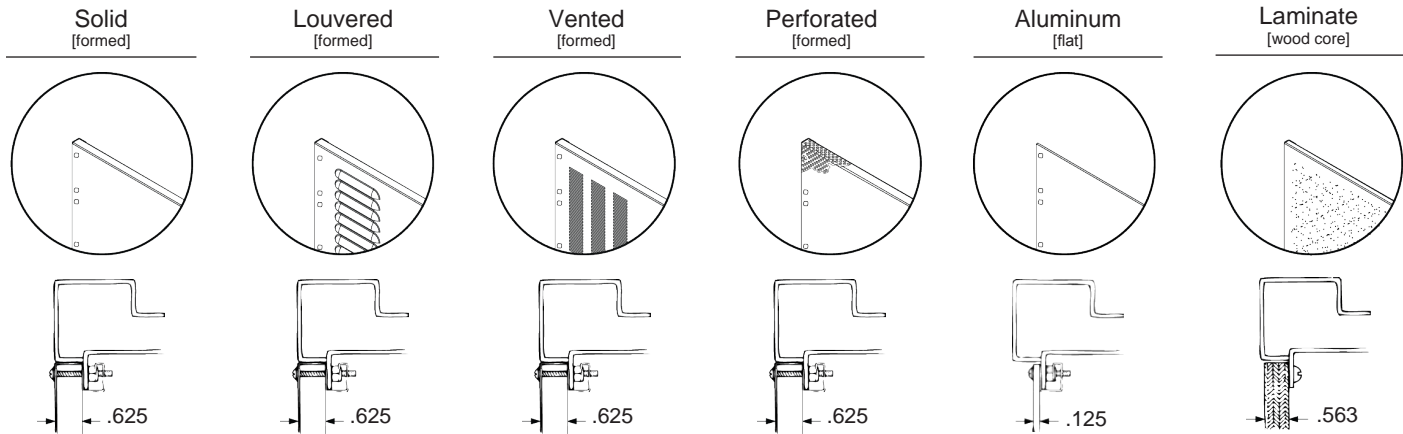
*Locked Rotor Air delivery based on operating at 115 volts, 60 HZ, single phase power.



Filler Panels

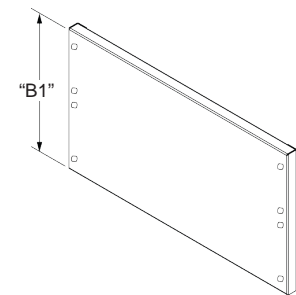
Filler Panels [ Select items available. Refer to the Instant Emcor reference manual.]

Available in 6 different styles, filler panels are designed to close off all, or portions of, the top, bottom, front, rear, and slope opening areas of the frame.



Part Numbers

| Solid | Louvered | Vented | Perforated | Aluminum | Laminate | "B1" | |
|----------|---------------|---------------|---------------|------------|------------|----------------------|-----|
| | | | | | | # of Rack Units Used | |
| XPN-0119 | not available | not available | not available | XPN-0119-A | XPN-0119-F | 1.750 | 1U |
| XPN-0319 | not available | not available | XPN-0319-PA | XPN-0319-A | XPN-0319-F | 3.500 | 2U |
| XPN-0519 | XPN-0519-LV | XPN-0519-V | XPN-0519-PA | XPN-0519-A | XPN-0519-F | 5.250 | 3U |
| XPN-0719 | XPN-0719-LV | XPN-0719-V | XPN-0719-PA | XPN-0719-A | XPN-0719-F | 7.000 | 4U |
| XPN-0819 | XPN-0819-LV | XPN-0819-V | XPN-0819-PA | XPN-0819-A | XPN-0819-F | 8.750 | 5U |
| XPN-1019 | XPN-1019-LV | XPN-1019-V | XPN-1019-PA | XPN-1019-A | XPN-1019-F | 10.500 | 6U |
| XPN-1219 | XPN-1219-LV | XPN-1219-V | XPN-1219-PA | XPN-1219-A | XPN-1219-F | 12.250 | 7U |
| XPN-1419 | XPN-1419-LV | XPN-1419-V | XPN-1419-PA | XPN-1419-A | XPN-1419-F | 14.000 | 8U |
| XPN-1519 | XPN-1519-LV | XPN-1519-V | XPN-1519-PA | XPN-1519-A | XPN-1519-F | 15.750 | 9U |
| XPN-1719 | XPN-1719-LV | XPN-1719-V | XPN-1719-PA | XPN-1719-A | XPN-1719-F | 17.500 | 10U |
| XPN-1919 | XPN-1919-LV | XPN-1919-V | XPN-1919-PA | XPN-1919-A | XPN-1919-F | 19.250 | 11U |
| XPN-2119 | XPN-2119-LV | XPN-2119-V | XPN-2119-PA | XPN-2119-A | XPN-2119-F | 21.000 | 12U |
| XPN-2219 | XPN-2219-LV | XPN-2219-V | XPN-2219-PA | XPN-2219-A | XPN-2219-F | 22.750 | 13U |
| XPN-2419 | XPN-2419-LV | XPN-2419-V | XPN-2419-PA | XPN-2419-A | XPN-2419-F | 24.500 | 14U |
| XPN-2619 | XPN-2619-LV | XPN-2619-V | XPN-2619-PA | XPN-2619-A | XPN-2619-F | 26.250 | 15U |
| XPN-2819 | XPN-2819-LV | XPN-2819-V | XPN-2819-PA | XPN-2819-A | XPN-2819-F | 28.000 | 16U |
| XPN-2919 | XPN-2919-LV | XPN-2919-V | XPN-2919-PA | | | 29.750 | 17U |
| XPN-3119 | XPN-3119-LV | | | | | 31.500 | 18U |
| XPN-3319 | XPN-3319-LV | XPN-3319-V | XPN-3319-PA | | XPN-3319-F | 33.250 | 19U |
| XPN-3519 | XPN-3519-LV | | | | | 35.000 | 20U |
| XPN-3619 | XPN-3619-LV | | | | | 36.750 | 21U |
| XPN-3819 | XPN-3819-LV | XPN-3819-V | XPN-3819-PA | | XPN-3819-F | 38.500 | 22U |
| XPN-4019 | XPN-4019-LV | | | | | 40.250 | 23U |
| XPN-4219 | XPN-4219-LV | | | | | 42.000 | 24U |
| XPN-4319 | XPN-4319-LV | | | | | 43.750 | 25U |
| XPN-4519 | XPN-4519-LV | | | | | 45.500 | 26U |
| XPN-4719 | XPN-4719-LV | | | | | 47.250 | 27U |
| XPN-4919 | XPN-4919-LV | | | | | 49.000 | 28U |
| XPN-5219 | XPN-5219-LV | | | | | 52.500 | 30U |
| XPN-5419 | XPN-5419-LV | | | | | 54.250 | 31U |
| XPN-5619 | XPN-5619-LV | | | | | 56.000 | 32U |
| XPN-6119 | XPN-6119-LV | | | | | 61.250 | 35U |
| XPN-6319 | XPN-6319-LV | | | | | 63.000 | 36U |
| XPN-6419 | XPN-6419-LV | | | | | 64.750 | 37U |
| XPN-7019 | XPN-7019-LV | | | | | 70.000 | 40U |
| XPN-7119 | XPN-7119-LV | | | | | 71.750 | 41U |
| XPN-7319 | XPN-7319-LV | | | | | 73.500 | 42U |
| XPN-7819 | XPN-7819-LV | | | | | 78.750 | 45U |



Material

Aluminum:
1/8" Aluminum.

Laminate:
Wood core with laminated surface.

Solid:
16-gauge steel.

Louvered:
16-gauge steel.

Vented:
16-gauge steel.

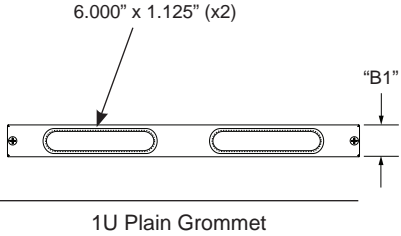
Perforated:
16-gauge steel.

Cable Pass Through Panels [ Select items available. Refer to the Instant Emcor reference manual.]

Cable pass throughs can be mounted in the front, rear, top, or bottom opening of a frame allowing cables to enter and exit the cabinet in an organized fashion.

Part Numbers

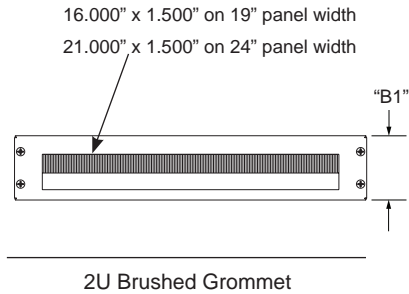
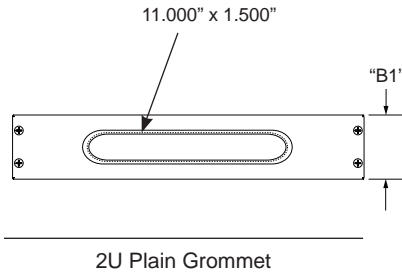
| | | |
|---------------------|----------------------|----|
| 19" EIA Width | "B1" | |
| Plain Grommet | # of Rack Units Used | |
| XPN-0119-CAP | 1.750 | 1U |



| | | |
|---------------------|----------------------|----|
| 24" EIA Width | "B1" | |
| Plain Grommet | # of Rack Units Used | |
| XPN-0124-CAP | 1.750 | 1U |

Part Numbers

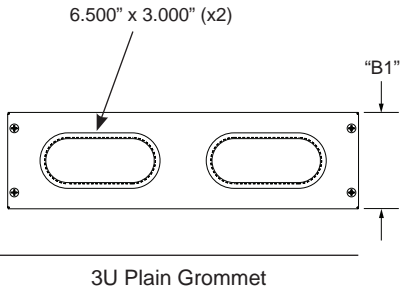
| | | | |
|---------------------|---------------------|----------------------|----|
| 19" EIA Width | | "B1" | |
| Plain Grommet | Brushed Grommet | # of Rack Units Used | |
| XPN-0319-CAP | XPN-0319-BGP | 3.500 | 2U |



| | | | |
|---------------------|---------------------|----------------------|----|
| 24" EIA Width | | "B1" | |
| Plain Grommet | Brushed Grommet | # of Rack Units Used | |
| XPN-0324-CAP | XPN-0324-BGP | 3.500 | 2U |

Part Numbers

| | | |
|---------------------|----------------------|----|
| 19" EIA Width | "B1" | |
| Plain Grommet | # of Rack Units Used | |
| XPN-0519-CAP | 5.250 | 3U |



Grommet cap (6.5" x 3.0") available for use with the 3U cable pass through panels. Sold as each.



Part Number
XPN-05-CAP-GC

| | | |
|---------------------|----------------------|----|
| 24" EIA Width | "B1" | |
| Plain Grommet | # of Rack Units Used | |
| XPN-0524-CAP | 5.250 | 3U |

Additional plain grommet material is available. Sold by the foot.

Part Number

| |
|-----------------|
| GMT-0012 |
|-----------------|

Dual Fan Panels

Dual Fan Panel [ Select items available. Refer to the Instant Emcor reference manual.]

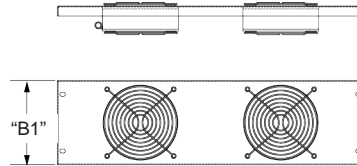
Dual Fan Panels are designed to mount in the front or rear panel openings and are primarily used for spot cooling.

- 102 CFM per fan (204 total), 20 watts per fan, 50/60 HZ, 43 dBA.
- 115 Volt AC power.
- Fan Motors are UL component recognized; CSA certified.
- Fan size: 4.625" square x 1.5" deep.
- Operating temperature range: -4°F to +158°F.
- Supplied with a 72" 18/3 SJT power cord with a NEMA 5-15P plug.

Part Numbers

| 19" EIA Width | "B1" # of Rack Units Used | | Airflow |
|-----------------------|---------------------------------|----|---------|
| XPN-0519-FP-2E | 5.250 | 3U | Exhaust |
| XPN-0519-FP-2I | 5.250 | 3U | Intake |

| 24" EIA Width | "B1" # of Rack Units Used | | Airflow |
|-----------------------|---------------------------------|----|---------|
| XPN-0524-FP-2E | 5.250 | 3U | Exhaust |
| XPN-0524-FP-2I | 5.250 | 3U | Intake |



Vent Grille [[e](#) Select items available. Refer to the Instant Emcor reference manual.]

Aluminum vent grilles provide an effective means to fulfill your venting requirements.

Part Numbers

| 19" EIA Width | | | |
|------------------------|---------------------------------|----|-----------|
| | "B1" # of Rack Units Used | | % Opening |
| AVGX-XXX-000319 | 3.500 | 2U | 45.0 |
| AVGX-XXX-000519 | 5.250 | 3U | 50.0 |
| AVGX-XXX-000719 | 7.000 | 4U | 52.5 |
| AVGX-XXX-000819 | 8.750 | 5U | 54.0 |

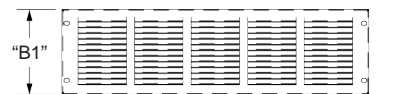


Vent Panel [[e](#) Select items available. Refer to the Instant Emcor reference manual.]

Steel vent panels provide an effective means to fulfill your venting requirements.

Part Numbers

| 19" EIA Width | | | |
|--------------------|---------------------------------|----|-----------|
| | "B1" # of Rack Units Used | | % Opening |
| XPN-0319-VP | 3.500 | 2U | 33.8 |
| XPN-0519-VP | 5.250 | 3U | 45.1 |
| XPN-0719-VP | 7.000 | 4U | 47.9 |
| XPN-0819-VP | 8.750 | 5U | 49.6 |



| 24" EIA Width | | | |
|--------------------|---------------------------------|----|-----------|
| | "B1" # of Rack Units Used | | % Opening |
| XPN-0324-VP | 3.500 | 2U | 32.1 |
| XPN-0524-VP | 5.250 | 3U | 42.9 |
| XPN-0724-VP | 7.000 | 4U | 45.5 |
| XPN-0824-VP | 8.750 | 5U | 41.1 |

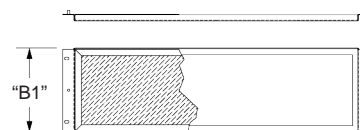
| 30" EIA Width | | | |
|--------------------|---------------------------------|----|-----------|
| | "B1" # of Rack Units Used | | % Opening |
| XPN-0330-VP | 3.500 | 2U | 31.1 |
| XPN-0530-VP | 5.250 | 3U | 40.9 |
| XPN-0730-VP | 7.000 | 4U | 42.5 |
| XPN-0830-VP | 8.750 | 5U | 41.1 |

Filter [[e](#) Select items available. Refer to the Instant Emcor reference manual.]

These filters mount behind aluminum vent grilles, providing protection of airborne particles. Filters are washable and permanent.

Part Numbers

| 19" EIA Width | | | |
|------------------------|---------------------------------|----|-----------|
| | "B1" # of Rack Units Used | | % Opening |
| ARFA-XXX-000319 | 3.500 | 2U | 47.2 |
| ARFA-XXX-000519 | 5.250 | 3U | 52.5 |
| ARFA-XXX-000719 | 7.000 | 4U | 55.1 |
| ARFA-XXX-000819 | 8.750 | 5U | 56.6 |



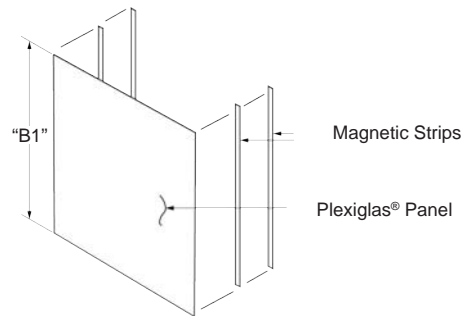
Plexiglas® Panels

Plexiglas® Panels

Plexiglas® panels are designed to provide an attractive solution for closing off open rack units, yet allowing you to see in to view cotrols or other monitoring devices. The panels are constructed of .236" thick Plexiglas® and mount to the frame's mounting rails via magnetic strips. Choose from two color choices; smoked gray or bronze.

Part Numbers

| 19" EIA Width | "B1" # of Rack Units Used | | Color |
|------------------|---------------------------------|-----|--------|
| MM-1519-B | 15.750 | 9U | Bronze |
| MM-1519-G | 15.750 | 9U | Gray |
| MM-1719-B | 17.500 | 10U | Bronze |
| MM-1719-G | 17.500 | 10U | Gray |
| MM-2119-B | 21.000 | 12U | Bronze |
| MM-2119-G | 21.000 | 12U | Gray |



 Low Profile Handle

Low Profile Handle

Add a low profile handle to the panel. The handle is black polished acrylic.

Part Number

MMP-01

| 24" EIA Width | "B1" # of Rack Units Used | | Color |
|------------------|---------------------------------|-----|--------|
| MM-1524-B | 15.750 | 9U | Bronze |
| MM-1524-G | 15.750 | 9U | Gray |
| MM-1724-B | 17.500 | 10U | Bronze |
| MM-1724-G | 17.500 | 10U | Gray |
| MM-2124-B | 21.000 | 12U | Bronze |
| MM-2124-G | 21.000 | 12U | Gray |

Name Plates

Name plates provide product or system identification. These aluminum extruded Name Plates are supplied with a removable metal backing sheet and a removable clear plastic front cover sheet. They mount to the moutning rail utilizing 1U of the available rack space in a frame.

Part Numbers

| 19" EIA Width | "B1" # of Rack Units Used | |
|------------------------|---------------------------------|----|
| ANPX-XXX-000119 | 1.750 | 1U |



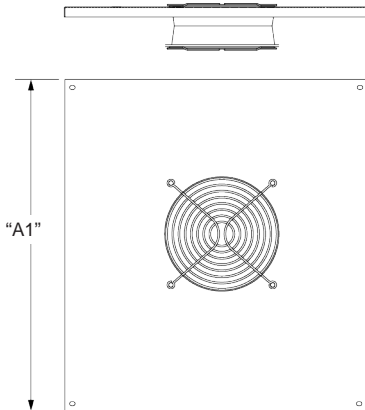
| 24" EIA Width | "B1" # of Rack Units Used | |
|------------------------|---------------------------------|----|
| ANPX-XXX-000124 | 1.750 | 1U |



Single Fan Panel [Select items available. Refer to the Instant Emcor reference manual.]

Single Fan Panels are designed to mount in the top panel opening of a frame. The life expectancy of the fan @ 104°F is 60,000 hours.

- 550 CFM, 60 HZ, 55 dBA.
- 115 Volt AC power, 35 Watts.
- Fan Motors are UL component recognized; CSA certified.
- 10" diameter fan size with 2 finger guards.
- Operating temperature range: -22°F to +140°F.
- The fan has a Feathered Edge™ blade for better noise control.
- Supplied with a 72" 18/3 SJ power cord with a NEMA 5-15P plug.

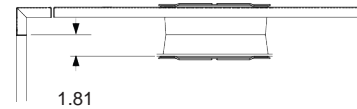


Part Numbers

| 19" EIA Width | | "A1" Panel Depth | |
|--------------------|--------|------------------|--|
| XPN-1719-FP | 17.500 | 10U | |
| XPN-2119-FP | 21.000 | 12U | |
| XPN-2219-FP | 22.750 | 13U | |
| XPN-2619-FP | 26.250 | 15U | |

| 24" EIA Width | | "A1" Panel Depth | |
|--------------------|--------|------------------|--|
| XPN-1724-FP | 17.500 | 10U | |
| XPN-2124-FP | 21.000 | 12U | |
| XPN-2224-FP | 22.750 | 13U | |
| XPN-2624-FP | 26.250 | 15U | |

| 30" EIA Width | | "A1" Panel Depth | |
|--------------------|--------|------------------|--|
| XPN-1730-FP | 17.500 | 10U | |
| XPN-2130-FP | 21.000 | 12U | |
| XPN-2630-FP | 26.250 | 15U | |



Note: When mounted as a top panel, the fan housing assembly extends into the frame opening by 1.81".

Lift Kits

Lift Kits

The lift kit can be bolted into the top of any vertical frame at any time. The kit includes all necessary hardware.

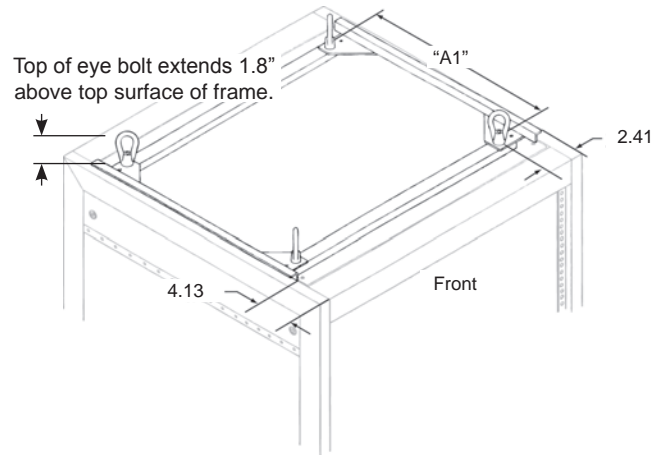
- Total load capacity including the frame is approximately 800 lbs. This rating assumes it is rigged for a straight up lift.

Part Numbers

| 19" EIA Width | | | |
|---------------|-------------|-------------|-------------------|
| Solid | Louvered | Perforated | "A1" Kit Depth |
| SLA-1419 | SLA-1419-LV | SLA-1419-PA | 14.000 8U |
| SLA-1719 | SLA-1719-LV | SLA-1719-PA | 17.500 10U |
| SLA-2119 | SLA-2119-LV | SLA-2119-PA | 21.000 12U |
| SLA-2619 | SLA-2619-LV | SLA-2619-PA | 26.250 15U |

| 24" EIA Width | | | |
|---------------|-------------|-------------|-------------------|
| Solid | Louvered | Perforated | "A1" Kit Depth |
| SLA-1424 | SLA-1424-LV | SLA-1424-PA | 14.000 8U |
| SLA-1724 | SLA-1724-LV | SLA-1724-PA | 17.500 10U |
| SLA-2124 | SLA-2124-LV | SLA-2124-PA | 21.000 12U |
| SLA-2624 | SLA-2624-LV | SLA-2624-PA | 26.250 15U |

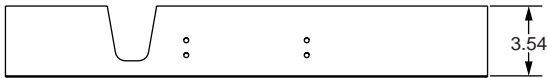
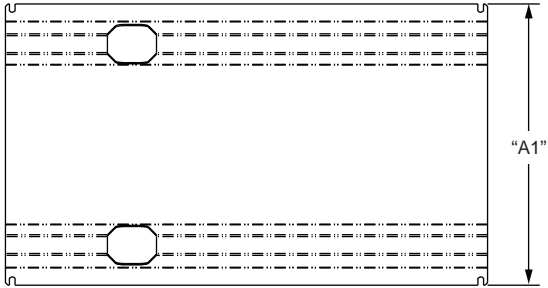
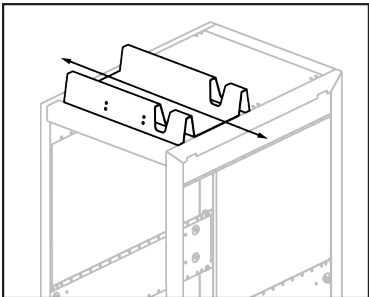
| 30" EIA Width | | | |
|---------------|-------------|-------------|-------------------|
| Solid | Louvered | Perforated | "A1" Kit Depth |
| SLA-1430 | SLA-1430-LV | SLA-1430-PA | 14.000 8U |
| SLA-1730 | SLA-1730-LV | SLA-1730-PA | 17.500 10U |
| SLA-2130 | SLA-2130-LV | SLA-2130-PA | 21.000 12U |
| SLA-2630 | SLA-2630-LV | SLA-2630-PA | 26.250 15U |



Lift Kit
 [Panel: 16-gauge steel]
 [Cross Bars: 18-gauge steel]

Overhead Cable Tray

Allows cables to run left to right on top of a cabinet.
 Accepts accessory styles A or C.
 Use in conjunction with the appropriate filler panel to cover entire top opening.



Part Numbers

| | | |
|--------------------|--------------------|----|
| 19" EIA Width | | |
| | "A1" Tray Depth | |
| CMO-1419-LR | 14.00 | 8U |

| | | |
|--------------------|--------------------|----|
| 24" EIA Width | | |
| | "A1" Tray Depth | |
| CMO-1424-LR | 14.00 | 8U |

Flush Mount Doors



Flush Mount Doors [Select items available. Refer to the Instant Emcor reference manual.]

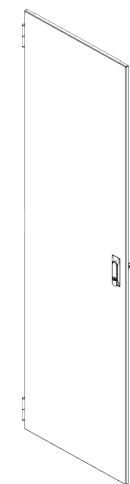
Flush mount doors fit into the vertical panel opening of the frame. The doors utilize the mounting rails for an attachment point. Lift-off hinges, in a stylish black finish, allow for quick removal. The low-profile single point lockable handle provides the security your system may need.

Note Flush doors mount to the front flange of the mounting rails and can fill all or portions of the usable space in the front or rear of a frame. Be aware of possible interference if other rack mount equipment that utilizes the front flange of the rail is used in conjunction with flush mount doors.

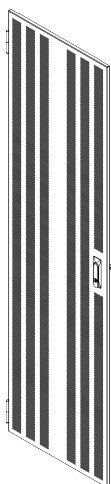
How to configure the door part number. Example: DF-HSL-7024

| PREFIX | STYLE | HINGE SIDE | HEIGHT (FILLS THE OPENING) | | | WIDTH (EIA SPACING) |
|--------|---------------------------------------|--|------------------------------------|------------------------------------|------------------------------------|-----------------------------|
| DF-H | <input type="checkbox"/> S (Solid) | <input type="checkbox"/> L (Left Hinge) | <input type="checkbox"/> -78 (45U) | <input type="checkbox"/> -47 (27U) | <input type="checkbox"/> -26 (15U) | <input type="checkbox"/> 30 |
| | <input type="checkbox"/> V (Vented) | <input type="checkbox"/> R (Right Hinge) | <input type="checkbox"/> -73 (42U) | <input type="checkbox"/> -45 (26U) | <input type="checkbox"/> -24 (14U) | <input type="checkbox"/> 24 |
| | <input type="checkbox"/> L (Louvered) | | <input type="checkbox"/> -71 (41U) | <input type="checkbox"/> -43 (25U) | <input type="checkbox"/> -22 (13U) | <input type="checkbox"/> 19 |
| | | | <input type="checkbox"/> -70 (40U) | <input type="checkbox"/> -42 (24U) | <input type="checkbox"/> -21 (12U) | |
| | | | <input type="checkbox"/> -64 (37U) | <input type="checkbox"/> -40 (23U) | <input type="checkbox"/> -19 (11U) | |
| | | | <input type="checkbox"/> -63 (36U) | <input type="checkbox"/> -38 (22U) | <input type="checkbox"/> -17 (10U) | |
| | | | <input type="checkbox"/> -61 (35U) | <input type="checkbox"/> -36 (21U) | <input type="checkbox"/> -15 (9U) | |
| | | | <input type="checkbox"/> -56 (32U) | <input type="checkbox"/> -35 (20U) | <input type="checkbox"/> -14 (8U) | |
| | | | <input type="checkbox"/> -54 (31U) | <input type="checkbox"/> -33 (19U) | <input type="checkbox"/> -12 (7U) | |
| | | | <input type="checkbox"/> -52 (30U) | <input type="checkbox"/> -31 (18U) | <input type="checkbox"/> | |
| | | | <input type="checkbox"/> -49 (28U) | <input type="checkbox"/> -28 (16U) | <input type="checkbox"/> | |

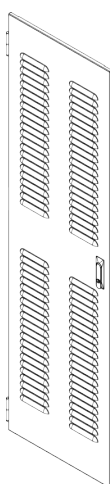
Door Styles Available



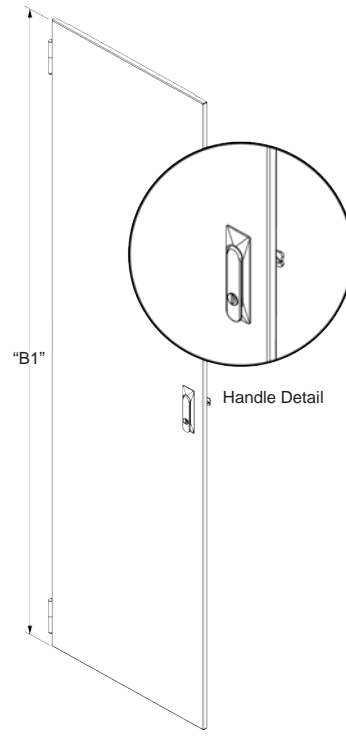
Solid



Vented



Louvered



Flush Doors
[16-gauge steel]

Part Numbers

| 19" EIA Width | 24" EIA Width | 30" EIA Width | |
|---|---|---|---------------------------------|
| <p>[1] Block Indicate: [S] = Solid [V] = Vented [L] = Louvered</p> <p>[2] Block Indicate: [R] = Right Hinge [L] = Left Hinge</p> | <p>[1] Block Indicate: [S] = Solid [V] = Vented [L] = Louvered</p> <p>[2] Block Indicate: [R] = Right Hinge [L] = Left Hinge</p> | <p>[1] Block Indicate: [S] = Solid [V] = Vented [L] = Louvered</p> <p>[2] Block Indicate: [R] = Right Hinge [L] = Left Hinge</p> | "B1" # of Rack Units Used |

Fills all, or portions of, the usable height in all frames.

| | | | | |
|-----------------|-----------------|-----------------|--------|-----|
| DF-H[1][2]-1219 | DF-H[1][2]-1224 | DF-H[1][2]-1230 | 12.250 | 7U |
| DF-H[1][2]-1419 | DF-H[1][2]-1424 | DF-H[1][2]-1430 | 14.000 | 8U |
| DF-H[1][2]-1519 | DF-H[1][2]-1524 | DF-H[1][2]-1530 | 15.750 | 9U |
| DF-H[1][2]-1719 | DF-H[1][2]-1724 | DF-H[1][2]-1730 | 17.500 | 10U |
| DF-H[1][2]-1919 | DF-H[1][2]-1924 | DF-H[1][2]-1930 | 19.250 | 11U |
| DF-H[1][2]-2119 | DF-H[1][2]-2124 | DF-H[1][2]-2130 | 21.000 | 12U |
| DF-H[1][2]-2219 | DF-H[1][2]-2224 | DF-H[1][2]-2230 | 22.750 | 13U |
| DF-H[1][2]-2419 | DF-H[1][2]-2424 | DF-H[1][2]-2430 | 24.500 | 14U |
| DF-H[1][2]-2619 | DF-H[1][2]-2624 | DF-H[1][2]-2630 | 26.250 | 15U |
| DF-H[1][2]-2819 | DF-H[1][2]-2824 | DF-H[1][2]-2830 | 28.000 | 16U |
| DF-H[1][2]-3119 | DF-H[1][2]-3124 | DF-H[1][2]-3130 | 31.500 | 18U |
| DF-H[1][2]-3319 | DF-H[1][2]-3324 | DF-H[1][2]-3330 | 33.250 | 19U |
| DF-H[1][2]-3519 | DF-H[1][2]-3524 | DF-H[1][2]-3530 | 35.000 | 20U |
| DF-H[1][2]-3619 | DF-H[1][2]-3624 | DF-H[1][2]-3630 | 36.750 | 21U |
| DF-H[1][2]-3819 | DF-H[1][2]-3824 | DF-H[1][2]-3830 | 38.500 | 22U |
| DF-H[1][2]-4019 | DF-H[1][2]-4024 | DF-H[1][2]-4030 | 40.250 | 23U |
| DF-H[1][2]-4219 | DF-H[1][2]-4224 | DF-H[1][2]-4230 | 42.000 | 24U |
| DF-H[1][2]-4319 | DF-H[1][2]-4324 | DF-H[1][2]-4330 | 43.750 | 25U |
| DF-H[1][2]-4519 | DF-H[1][2]-4524 | DF-H[1][2]-4530 | 45.500 | 26U |
| DF-H[1][2]-4719 | DF-H[1][2]-4724 | DF-H[1][2]-4730 | 47.250 | 27U |
| DF-H[1][2]-4919 | DF-H[1][2]-4924 | DF-H[1][2]-4930 | 49.000 | 28U |
| DF-H[1][2]-5219 | DF-H[1][2]-5224 | DF-H[1][2]-5230 | 52.500 | 30U |
| DF-H[1][2]-5419 | DF-H[1][2]-5424 | DF-H[1][2]-5430 | 54.250 | 31U |
| DF-H[1][2]-5619 | DF-H[1][2]-5624 | DF-H[1][2]-5630 | 56.000 | 32U |
| DF-H[1][2]-6119 | DF-H[1][2]-6124 | DF-H[1][2]-6130 | 61.250 | 35U |
| DF-H[1][2]-6319 | DF-H[1][2]-6324 | DF-H[1][2]-6330 | 63.000 | 36U |
| DF-H[1][2]-6419 | DF-H[1][2]-6424 | DF-H[1][2]-6430 | 64.750 | 37U |
| DF-H[1][2]-7019 | DF-H[1][2]-7024 | DF-H[1][2]-7030 | 70.000 | 40U |
| DF-H[1][2]-7119 | DF-H[1][2]-7124 | DF-H[1][2]-7130 | 71.750 | 41U |
| DF-H[1][2]-7319 | DF-H[1][2]-7324 | DF-H[1][2]-7330 | 73.500 | 42U |
| DF-H[1][2]-7819 | DF-H[1][2]-7824 | DF-H[1][2]-7830 | 78.750 | 45U |

Surface Mount Doors (Steel)



Surface Mount Doors [Select items available. Refer to the Instant Emcor reference manual.]

Surface mount doors cover the panel opening of the frame providing the space necessary to mount equipment and accessories behind the door panel. Available in four styles, the doors feature a low-profile lockable single point latch handle and stylized black hinges that allow for 120° of rotation. When mounted, these doors add 1.00" to the overall depth.

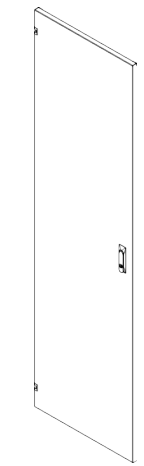
Note The frame must be drilled to accept surface doors, therefore door mounting location must be supplied at the time of order placement.

How to configure the door part number. Example: DS-XPR-6119

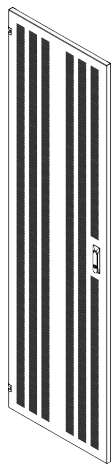
| PREFIX | STYLE | HINGE SIDE | HEIGHT (COVERS THE OPENING) | | WIDTH (EIA SPACING) |
|--------|---|---|--|--|---|
| DS-E | <input type="checkbox"/> S (Solid) <input type="checkbox"/> V (Vented) <input type="checkbox"/> L (Louvered) <input type="checkbox"/> P (Perforated) | <input type="checkbox"/> L (Left Hinge) <input type="checkbox"/> R (Right Hinge) | <input type="checkbox"/> -78 (45U) <input type="checkbox"/> -70 (40U) <input type="checkbox"/> -61 (35U) <input type="checkbox"/> -52 (30U) <input type="checkbox"/> -49 (28U) <input type="checkbox"/> -43 (25U) <input type="checkbox"/> -42 (24U) <input type="checkbox"/> -40 (23U) | <input type="checkbox"/> -38 (22U) <input type="checkbox"/> -35 (20U) <input type="checkbox"/> -28 (16U) <input type="checkbox"/> -27 (16U)* <input type="checkbox"/> -24 (14U) <input type="checkbox"/> -21 (12U) <input type="checkbox"/> -20 (12U)* <input type="checkbox"/> | <input type="checkbox"/> 30 <input type="checkbox"/> 24 <input type="checkbox"/> 19 |

*Heights designed to be 1" short at the top so as to swing clear when mounted under a work surface.

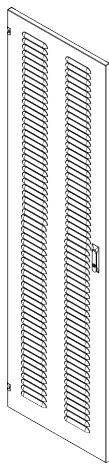
Door Styles Available



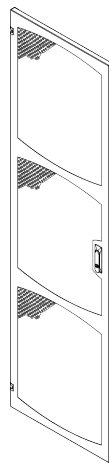
Solid



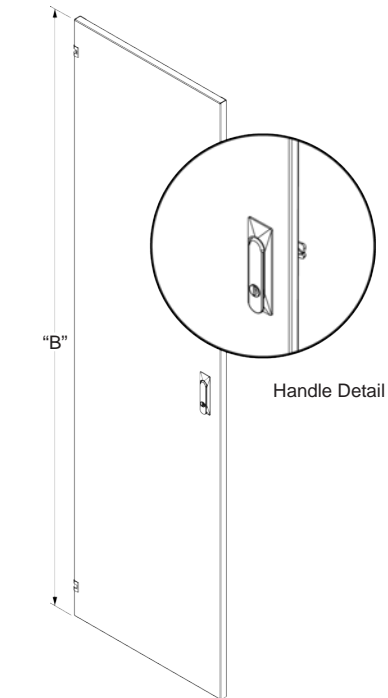
Vented



Louvered



Perforated



Handle Detail

Surface Doors
[16-gauge steel]

Part Numbers

| 19" EIA Width | 24" EIA Width | 30" EIA Width | "B" Overall Height | Covers opening in frames w/ this usable height |
|---|---|---|--------------------|--|
| <p>[1] Block Indicate: [S] = Solid [V] = Vented [L] = Louvered [P] = Perforated</p> <p>[2] Block Indicate: [R] = Right Hinge [L] = Left Hinge</p> <p>Note: P only available in 20U - 45U sizes.</p> | <p>[1] Block Indicate: [S] = Solid [V] = Vented [L] = Louvered [P] = Perforated</p> <p>[2] Block Indicate: [R] = Right Hinge [L] = Left Hinge</p> <p>Note: P only available in 20U - 45U sizes.</p> | <p>[1] Block Indicate: [S] = Solid [V] = Vented [L] = Louvered [P] = Perforated</p> <p>[2] Block Indicate: [R] = Right Hinge [L] = Left Hinge</p> <p>Note: P only available in 20U - 45U sizes.</p> | | |

Covers the entire opening on 12U "Desk Height" & 16U "Counter Height" Frames with work Surface Provisions

| | | | | |
|------------------|------------------|------------------|--------|------------|
| DS-E[1][2]-2019* | DS-E[1][2]-2024* | DS-E[1][2]-2030* | 22.406 | covers 12U |
| DS-E[1][2]-2719* | DS-E[1][2]-2724* | DS-E[1][2]-2730* | 29.406 | covers 16U |

Covers the entire opening on Vertical frames.

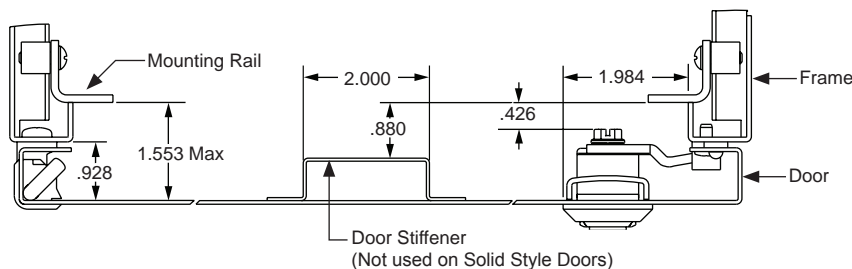
| | | | | |
|-----------------|-----------------|-----------------|--------|------------|
| DS-E[1][2]-2119 | DS-E[1][2]-2124 | DS-E[1][2]-2130 | 23.469 | covers 12U |
| DS-E[1][2]-2819 | DS-E[1][2]-2824 | DS-E[1][2]-2830 | 30.496 | covers 16U |
| DS-E[1][2]-3519 | DS-E[1][2]-3524 | DS-E[1][2]-3530 | 38.375 | covers 20U |
| DS-E[1][2]-4019 | DS-E[1][2]-4024 | DS-E[1][2]-4030 | 43.625 | covers 23U |
| DS-E[1][2]-4319 | DS-E[1][2]-4324 | DS-E[1][2]-4330 | 47.125 | covers 25U |
| DS-E[1][2]-5219 | DS-E[1][2]-5224 | DS-E[1][2]-5230 | 55.875 | covers 30U |
| DS-E[1][2]-6119 | DS-E[1][2]-6124 | DS-E[1][2]-6130 | 64.625 | covers 35U |
| DS-E[1][2]-7019 | DS-E[1][2]-7024 | DS-E[1][2]-7030 | 73.375 | covers 40U |
| DS-E[1][2]-7819 | DS-E[1][2]-7824 | DS-E[1][2]-7830 | 82.125 | covers 45U |

Covers the entire opening on Slope Front frames.

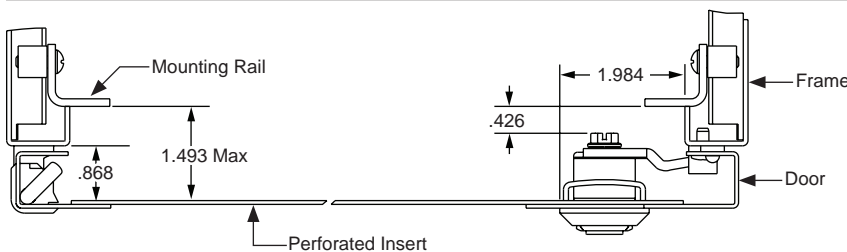
| | | | | |
|-------------------------|-------------------------|-------------------------|--------|------------|
| DS-E[1][2]-2419 (front) | DS-E[1][2]-2424 (front) | DS-E[1][2]-2430 (front) | 26.969 | covers 14U |
| DS-E[1][2]-2819 (front) | DS-E[1][2]-2824 (front) | DS-E[1][2]-2830 (front) | 30.496 | covers 16U |
| DS-E[1][2]-3819 (rear) | DS-E[1][2]-3824 (rear) | DS-E[1][2]-3830 (rear) | 41.875 | covers 22U |
| DS-E[1][2]-4219 (rear) | DS-E[1][2]-4224 (rear) | DS-E[1][2]-4230 (rear) | 45.375 | covers 24U |
| DS-E[1][2]-4919 (rear) | DS-E[1][2]-4924 (rear) | DS-E[1][2]-4930 (rear) | 52.375 | covers 28U |

*Heights designed to be 1" short at the top so as to swing clear when mounted under a work surface.

Solid, Vented, Louvered Section View



Perforated Section View



Surface Mount Doors (Aluminum Framed Window)

Aluminum Framed Window Doors

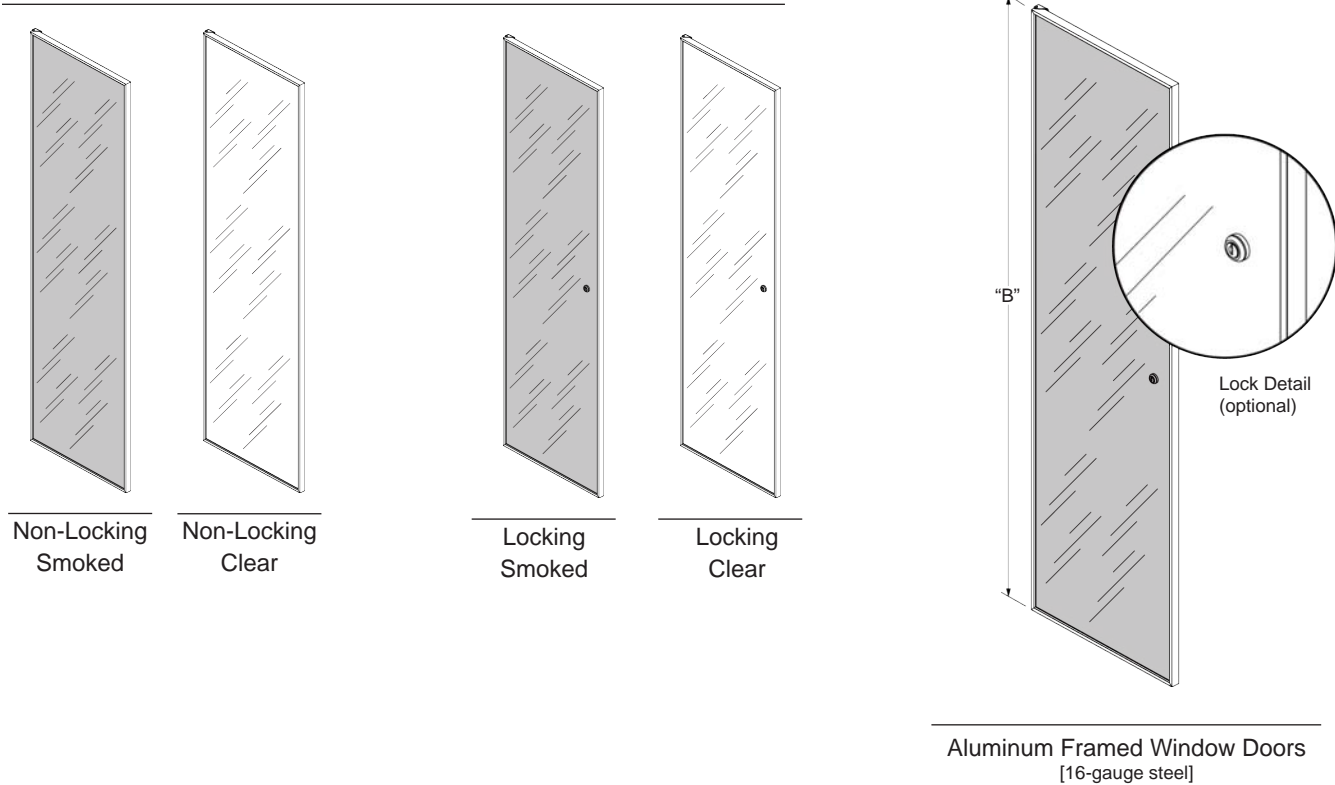
Window doors allow visibility of indicator lights and other operating equipment. The clear anodized aluminum extruded frame is supplied with an 1/8" thick tinted (smoked) plexiglass window panel and a magnetic latching system. The doors are available in either locking or non-locking versions. When mounted, these doors add 1.28" to the overall depth.

Note The frame must be drilled to accept surface doors, therefore door mounting location must be supplied at the time of order placement.

How to configure the door part number. Example: XWDA-5224-LH

| PREFIX | HEIGHT (COVERS THE OPENING) | | WIDTH (EIA SPACING) | HINGE SIDE | SUFFIX | WINDOW COLOR |
|--------|------------------------------------|------------------------------------|-----------------------------|--|--|---|
| XWDA | <input type="checkbox"/> -78 (45U) | <input type="checkbox"/> -40 (23U) | <input type="checkbox"/> 24 | <input type="checkbox"/> -LH (Left Hinge) | <input type="checkbox"/> Blank (Non-Locking) | <input type="checkbox"/> Blank (Smoked) |
| | <input type="checkbox"/> -70 (40U) | <input type="checkbox"/> -35 (20U) | <input type="checkbox"/> 19 | <input type="checkbox"/> -RH (Right Hinge) | <input type="checkbox"/> -LK (Locking) | <input type="checkbox"/> -WC (Clear) |
| | <input type="checkbox"/> -61 (35U) | <input type="checkbox"/> -28 (16U) | | | | |
| | <input type="checkbox"/> -52 (30U) | <input type="checkbox"/> -21 (12U) | | | | |
| | <input type="checkbox"/> -43 (25U) | <input type="checkbox"/> | | | | |

Door Styles Available



Surface Mount Doors (Aluminum Framed Window)

Part Numbers

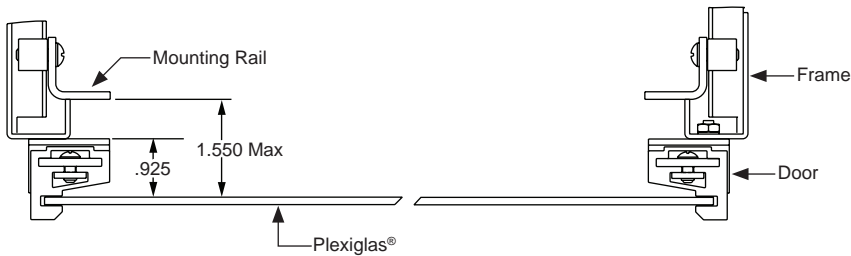
| 19" EIA Width | 24" EIA Width | | |
|---|---|--------------------------|--|
| <p>[1] Block Indicate: [-LH] = Left Hinge [-RH] = Right Hinge</p> <p>[2] Block Indicate: Blank = Non Locking [-LK] = Locking</p> <p>[3] Block Indicate: [blank] = Window w/ Smoked Plexiglas® [-WC] = Window w/ Clear Plexiglas®</p> | <p>[1] Block Indicate: [-LH] = Left Hinge [-RH] = Right Hinge</p> <p>[2] Block Indicate: Blank = Non Locking [-LK] = Locking</p> <p>[3] Block Indicate: [blank] = Window w/ Smoked Plexiglas® [-WC] = Window w/ Clear Plexiglas®</p> | "B" Overall Height | Covers opening in frames w/ this usable height |

Covers the entire opening on Vertical frames.

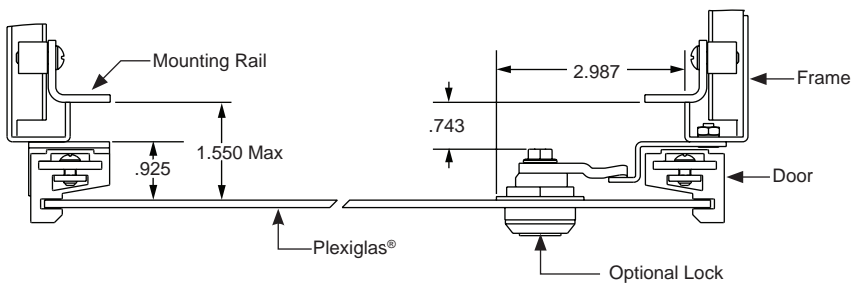
| | | | | |
|--------------------|--------------------|--------|--------|-----|
| WDA-2119A[1][2][3] | WDA-2124A[1][2][3] | 25.125 | covers | 12U |
| WDA-2819A[1][2][3] | WDA-2824A[1][2][3] | 32.125 | covers | 16U |
| WDA-3519A[1][2][3] | WDA-3524A[1][2][3] | 37.750 | covers | 20U |
| WDA-4019A[1][2][3] | WDA-4024A[1][2][3] | 43.000 | covers | 23U |
| WDA-4319A[1][2][3] | WDA-4324A[1][2][3] | 46.500 | covers | 25U |
| WDA-5219A[1][2][3] | WDA-5224A[1][2][3] | 55.250 | covers | 30U |
| WDA-6119A[1][2][3] | WDA-6124A[1][2][3] | 64.000 | covers | 35U |
| WDA-7019A[1][2][3] | WDA-7024A[1][2][3] | 72.750 | covers | 40U |
| WDA-7819A[1][2][3] | WDA-7824A[1][2][3] | 81.500 | covers | 45U |

Not available for Frames with Work Surface Provisions or for Slope Front frames.

Non-Locking Section View



Locking Section View



Side Panels

Side Panels

Formed Inside Removable These side panels are for those applications where side access is limited and permanent fastening is needed. Choose from solid or louvered styles.

Formed Outside Removable These side panels offer lift off flexibility for those requirements where side access is desired. No tools are required. Simply lift up and off. These side panels are supplied with shipping screws to secure the side panels in place during transit.

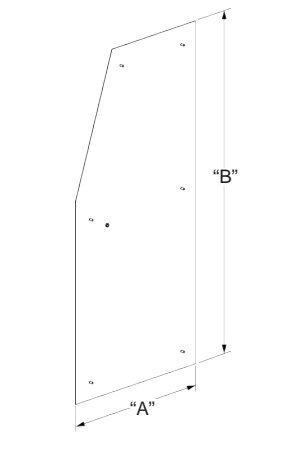
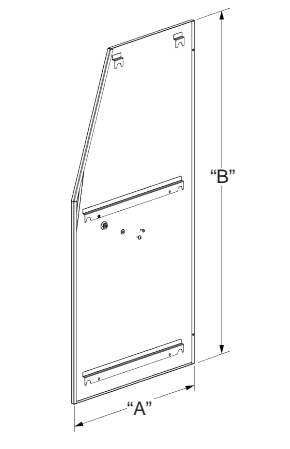
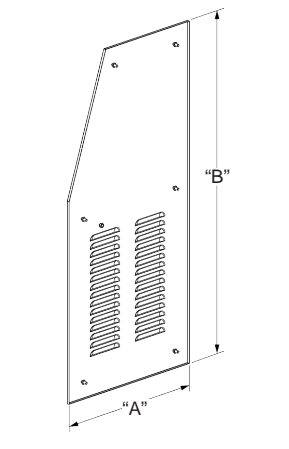
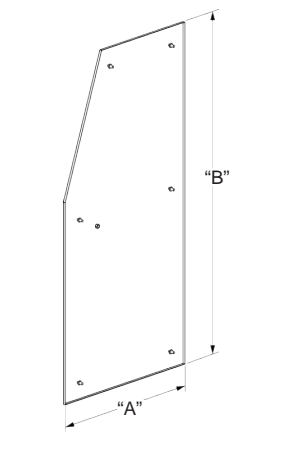
Flat Inside Removable These side panels are for those applications where side access is limited and an internal mechanical fastening is needed. This side panel is commonly used when space constraints exist.

Slope Front Frame Style Part Numbers

| Formed Inside Removable Solid | | Formed Inside Removable Louvered | | "A" Overall Depth | "B" Overall Height | Use w/ Frames w/ this Overall Base Depth | Use w/ Frames w/ this Usable Rear Height |
|-------------------------------|----------------|----------------------------------|----------------|-------------------|--------------------|--|--|
| Left | Right | Left | Right | | | | |
| SSP-2210-SI-LH | SSP-2210-SI-RH | SSP-2210-LI-LH | SSP-2210-LI-RH | 21.812 | 43.750 | 22.000 | 38.500 22U |
| SSP-2510-SI-LH | SSP-2510-SI-RH | SSP-2510-LI-LH | SSP-2510-LI-RH | 25.312 | 43.750 | 25.500 | 38.500 22U |
| SSP-2217-SI-LH | SSP-2217-SI-RH | SSP-2217-LI-LH | SSP-2217-LI-RH | 21.812 | 46.859 | 22.000 | 42.000 24U |
| SSP-2517-SI-LH | SSP-2517-SI-RH | SSP-2517-LI-LH | SSP-2517-LI-RH | 25.312 | 46.859 | 25.500 | 42.000 24U |
| SSP-3017-SI-LH | SSP-3017-SI-RH | SSP-3017-LI-LH | SSP-3017-LI-RH | 30.562 | 46.859 | 30.750 | 42.000 24U |
| SSP-2224-SI-LH | SSP-2224-SI-RH | SSP-2224-LI-LH | SSP-2224-LI-RH | 21.812 | 53.484 | 22.000 | 49.000 28U |
| SSP-2524-SI-LH | SSP-2524-SI-RH | SSP-2524-LI-LH | SSP-2524-LI-RH | 25.312 | 53.484 | 25.500 | 49.000 28U |
| SSP-3024-SI-LH | SSP-3024-SI-RH | SSP-3024-LI-LH | SSP-3024-LI-RH | 30.562 | 53.484 | 30.750 | 49.000 28U |

Slope Front Frame Style Part Numbers Continued

| Formed Outside Removable Solid | | Flat Inside Removable Solid | | "A" Overall Depth | "B" Overall Height | Use w/ Frames w/ this Overall Base Depth | Use w/ Frames w/ this Usable Rear Height |
|--------------------------------|---------------|-----------------------------|----------------|-------------------|--------------------|--|--|
| Left | Right | Left | Right | | | | |
| SSP-2210-S-LH | SSP-2210-S-RH | SSP-2210-FL-LH | SSP-2210-FL-RH | 21.812 | 43.750 | 22.000 | 38.500 22U |
| SSP-2510-S-LH | SSP-2510-S-RH | SSP-2510-FL-LH | SSP-2510-FL-RH | 25.312 | 43.750 | 25.500 | 38.500 22U |
| SSP-2217-S-LH | SSP-2217-S-RH | SSP-2217-FL-LH | SSP-2217-FL-RH | 21.812 | 46.859 | 22.000 | 42.000 24U |
| SSP-2517-S-LH | SSP-2517-S-RH | SSP-2517-FL-LH | SSP-2517-FL-RH | 25.312 | 46.859 | 25.500 | 42.000 24U |
| SSP-3017-S-LH | SSP-3017-S-RH | SSP-3017-FL-LH | SSP-3017-FL-RH | 30.562 | 46.859 | 30.750 | 42.000 24U |
| SSP-2224-S-LH | SSP-2224-S-RH | SSP-2224-FL-LH | SSP-2224-FL-RH | 21.812 | 53.484 | 22.000 | 49.000 28U |
| SSP-2524-S-LH | SSP-2524-S-RH | SSP-2524-FL-LH | SSP-2524-FL-RH | 25.312 | 53.484 | 25.500 | 49.000 28U |
| SSP-3024-S-LH | SSP-3024-S-RH | SSP-3024-FL-LH | SSP-3024-FL-RH | 30.562 | 53.484 | 30.750 | 49.000 28U |



Formed Inside Removable Solid
[Adds .375" per side to width]

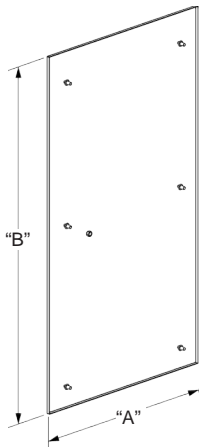
Formed Inside Removable Louvered
[Adds .375" per side to width]

Formed Outside Removable Solid
[Adds .500" per side to width]

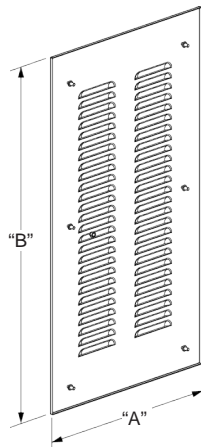
Flat Inside Removable Solid
[Adds .062" per side to width]

Vertical and -WT Style Frame Part Numbers [[e](#) Select items available. Refer to the Instant Emcor catalog.]

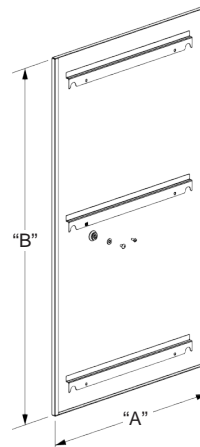
| Formed Inside Removable Solid | Formed Inside Removable Louvered | Formed Outside Removable Solid | Flat Inside Removable Solid | "A" Overall Depth | "B" Overall Height | Use w/ Frames w/ this Overall Depth | Use w/ Frames w/ this Usable Height |
|-------------------------------|----------------------------------|--------------------------------|-----------------------------|-------------------|--------------------|-------------------------------------|-------------------------------------|
| SSP-1821-SI | SSP-1821-LI | SSP-1821-S | SSP-1821-FL | 18.250 | 26.375 | 18.500 | 21.000 12U |
| SSP-2221-SI | SSP-2221-LI | SSP-2221-S | SSP-2221-FL | 21.750 | 26.375 | 22.000 | 21.000 12U |
| SSP-2521-SI | SSP-2521-LI | SSP-2521-S | SSP-2521-FL | 25.125 | 26.375 | 25.500 | 21.000 12U |
| SSP-3021-SI | SSP-3021-LI | SSP-3021-S | SSP-3021-FL | 30.375 | 26.375 | 30.750 | 21.000 12U |
| SSP-1828-SI | SSP-1828-LI | SSP-1828-S | SSP-1828-FL | 18.250 | 33.375 | 18.500 | 28.000 16U |
| SSP-2228-SI | SSP-2228-LI | SSP-2228-S | SSP-2228-FL | 21.750 | 33.375 | 22.000 | 28.000 16U |
| SSP-2528-SI | SSP-2528-LI | SSP-2528-S | SSP-2528-FL | 25.125 | 33.375 | 25.500 | 28.000 16U |
| SSP-3028-SI | SSP-3028-LI | SSP-3028-S | SSP-3028-FL | 30.375 | 33.375 | 30.750 | 28.000 16U |
| SSP-2235-SI | SSP-2235-LI | SSP-2235-S | SSP-2235-FL | 21.750 | 38.937 | 22.000 | 35.000 20U |
| SSP-2535-SI | SSP-2535-LI | SSP-2535-S | SSP-2535-FL | 25.125 | 38.937 | 25.500 | 35.000 20U |
| SSP-2240-SI | SSP-2240-LI | SSP-2240-S | SSP-2240-FL | 21.750 | 44.187 | 22.000 | 40.250 23U |
| SSP-2540-SI | SSP-2540-LI | SSP-2540-S | SSP-2540-FL | 25.125 | 44.187 | 25.500 | 40.250 23U |
| SSP-2243-SI | SSP-2243-LI | SSP-2243-S | SSP-2243-FL | 21.750 | 47.684 | 22.000 | 43.750 25U |
| SSP-2543-SI | SSP-2543-LI | SSP-2543-S | SSP-2543-FL | 25.125 | 47.684 | 25.500 | 43.750 25U |
| SSP-3043-SI | SSP-3043-LI | SSP-3043-S | SSP-3043-FL | 30.375 | 47.684 | 30.750 | 43.750 25U |
| SSP-2252-SI | SSP-2252-LI | SSP-2252-S | SSP-2252-FL | 21.750 | 56.437 | 22.000 | 52.500 30U |
| SSP-2552-SI | SSP-2552-LI | SSP-2552-S | SSP-2552-FL | 25.125 | 56.437 | 25.500 | 52.500 30U |
| SSP-3052-SI | SSP-3052-LI | SSP-3052-S | SSP-3052-FL | 30.375 | 56.437 | 30.750 | 52.500 30U |
| SSP-2261-SI | SSP-2261-LI | SSP-2261-S | SSP-2261-FL | 21.750 | 65.187 | 22.000 | 61.250 35U |
| SSP-2561-SI | SSP-2561-LI | SSP-2561-S | SSP-2561-FL | 25.125 | 65.187 | 25.500 | 61.250 35U |
| SSP-3061-SI | SSP-3061-LI | SSP-3061-S | SSP-3061-FL | 30.375 | 65.187 | 30.750 | 61.250 35U |
| SSP-2270-SI | SSP-2270-LI | SSP-2270-S | SSP-2270-FL | 21.750 | 73.937 | 22.000 | 70.000 40U |
| SSP-2570-SI | SSP-2570-LI | SSP-2570-S | SSP-2570-FL | 25.125 | 73.937 | 25.500 | 70.000 40U |
| SSP-3070-SI | SSP-3070-LI | SSP-3070-S | SSP-3070-FL | 30.375 | 73.937 | 30.750 | 70.000 40U |
| SSP-2278-SI | SSP-2278-LI | SSP-2278-S | SSP-2278-FL | 21.750 | 82.687 | 22.000 | 78.750 45U |
| SSP-2578-SI | SSP-2578-LI | SSP-2578-S | SSP-2578-FL | 25.125 | 82.687 | 25.500 | 78.750 45U |
| SSP-3078-SI | SSP-3078-LI | SSP-3078-S | SSP-3078-FL | 30.375 | 82.687 | 30.750 | 78.750 45U |



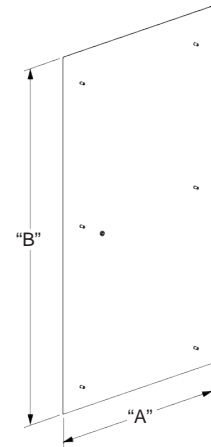
Formed Inside Removable Solid
[Adds .375" per side to width]



Formed Inside Removable Louvered
[Adds .375" per side to width]



Formed Outside Removable Solid
[Adds .500" per side to width]



Flat Inside Removable Solid
[Adds .062" per side to width]

Work Surface Hardware

Work Surface Support Hardware

The following hardware is supplied with all work surfaces. These parts do not need to be ordered separately unless there is a unique application that requires you do so. The Top Adapter Panel requires a color choice while the balance of the support hardware is provided in a black finish.

These parts fit together in the following manner:

- The Top Mounting Brackets are bolted securely to the inside legs of the mounting rails directly behind the work surface.
- The Top Mounting Brackets support the work surface by holding the Top Bar Supports which are fastened to the One-piece Top Angle mounted to the underside of the work surface.

Note

If protection is required around the cable access cutout in the top adapter panel, grommet material can be ordered as an optional item under part number GMT-0012. Each cutout requires 1' of material. (Sold by the foot)

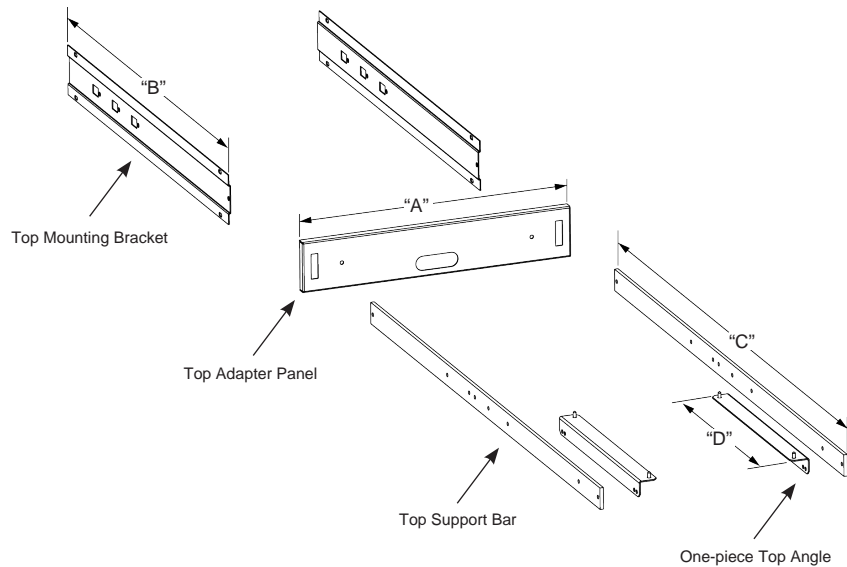
Part Numbers













| Adapter Panel "A" | Use in Frames with this Overall Width | Sold As |
|-------------------|---------------------------------------|---------|
| TAPN-60 | 21.062 | Each |
| TAPN-60-24 | 26.062 | Each |
| TAPN-60-30 | 32.062 | Each |

| Bracket "B" | Overall Depth | Sold As |
|----------------|---------------|---------|
| TMB-18A | 16.688 | Pair |
| TMB-22A | 20.188 | Pair |
| TMB-25A | 23.688 | Pair |
| TMB-31A | 28.938 | Pair |

| Support Bar "C" | Overall Depth | Sold As |
|-----------------|---------------|---------|
| TBS-1815 | 25.875 | Pair |
| TBS-1822 | 28.250 | Pair |

| Angle "D" | Overall Depth | Sold As |
|-----------------|---------------|---------|
| OPTA-15A | 9.594 | Each |
| OPTA-18A | 14.500 | Each |



| | Part Number | Description | Where Used | |
|---|---|------------------------------------|--|--|
| Mounting Panels, Electronics and Other Equipment |  | HW-092 (AHWX-092-003219) | #10-32 Clip Nut | Use when mounting 5/8" or 1/8" thick filler/closure panels or other rack-mountable equipment/electronics to thru hole mounting rails. Use with HW-103, HW-104, HW-303 or HW-304 panel screws. |
| |  | HW-104 | #10-32 x .500" Panel Screw | Used when mounting 1/8" thick filler/closure panels or other rack-mountable equipment/electronics to tapped mounting rails or in conjunction with clip nut HW-092 on thru-hole rails. Comes with polyethylene washer. |
| | | HW-304 | #10-32 x .500" Panel Screw - Black | Used when mounting 1/8" thick filler/closure panels or other rack-mountable equipment/electronics to tapped mounting rails or in conjunction with clip nut HW-092 on thru-hole rails. Comes with polyethylene washer. |
| |  | HW-103 | #10-32 x 1.125" Panel Screw | Used for mounting 5/8" formed filler/closure panels or other rack-mountable equipment/electronics to tapped mounting rails or in conjunction with clip nut HW-092 on thru-hole rails. Comes with polyethylene washer. |
| | | HW-303 | #10-32 x 1.125" Panel Screw - Black | Used for mounting 5/8" formed filler/closure panels or other rack-mountable equipment/electronics to tapped mounting rails or in conjunction with clip nut HW-092 on thru-hole rails. Comes with polyethylene washer. |
| |  | HW-110 | #10 self-tapping screw "A" threads. | Used for mounting laminated filler/closure panels. |
|  | HW-1032 | #10-32 Panel Stand-off | Used for mounting 1/8" thick filler/closure panels to bring them flush with front of frame. Use with HW-154 keps nut and HW-104 or HW-304 panel screws. | |
| Joining Frames |  | HW-161 | 5/16-18 x 3/4" Hex Head Screw | Used for joining vertical and slope front frames together side by side. Use with HW-162 flat washer and HW-163 keps nut. |
| | | HW-150 | 1/4-20 x 3/4" Hex Head Screw | Used for joining turret frames together side by side. Use with HW-152 flat washer and AHWX-102-002025 keps nut. |
| |  | HW-162 | 5/16 Flat Washer | Used for joining vertical and slope front frames together side by side. Use with HW-161 hex head screw and HW-163 keps nut. |
| | | HW-152 | 1/4 Flat Washer | Used for joining turret frames together side by side. Use with HW-150 hex head screw and AHWX-102-002025 keps nut. |
| |  | HW-163 | 5/16-18 Keps Nut | Used for joining vertical and slope front frames together side by side. Use with HW-161 hex head screw and HW-162 flat washer. |
| | | AHWX-102-002025 | 1/4-20 Keps Nut | Used for joining turret frames together side by side. Use with HW-150 hex head screw and HW-152 flat washer. |
| | | HW-154 | #10-32 Keps Nut | Used for mounting 1/8" thick filler/closure panels to bring them flush with front of frame. Use with HW-1032 panel stand-off and HW-104 or HW-304 panel screws. |
|  | AJCX-HDX-000100 | Joining Kit | Sold in pairs. Used to bolt turret frames to a vertical or slope front frames. Kit consists of Joining Clip, Clip Nut and Screw. | |
| Lift Kits |  | AHWX-272-161637 | 3/8-16 Lift Eye | Part of the lift kit assembly. Use with AHWX-510-000037 lock washer and AHWX-022-201637 hex head screw. |
| |  | AHWX-510-000037 | 3/8 Lock Washer | Part of the lift kit assembly. Use with AHWX-272-161637 lift eye nut and AHWX-022-201637 hex head screw. |
| |  | AHWX-022-201637 | 3/8-16 x 1-1/4" Hex Head Screw | Part of the lift kit assembly. Use with AHWX-272-161637 lift eye nut and AHWX-510-000037 lock washer. |

Ordering Guide

How to Order

Crenlo's enclosure products are configured to order meaning each component of the enclosure is ordered separately. This process allows the most versatility in the final appearance and function of the enclosure or console. Simply follow the steps listed below.

1 DETERMINE THE FRAME PART NUMBER
Because the basic building block is the frame it will be your first selection.

2 REVIEW THE ORDERING GUIDE
Once you have selected a frame part number, locate it in the ordering guide. Note that the ordering guide is organized so that compatible accessories are listed to the right of the frame part numbers. If you cannot find the item desired, contact your local sales representative or Crenlo directly.


3 ISSUE ORDERS TO
All correspondence and PO's should be addressed to:

Crenlo
1600 4th Avenue N.W.
Rochester, MN 55901

-Or-

Crenlo
C/O your local representative

Page 1 of 8



Customer Name _____ P.O. _____

Order Entered By _____ Date _____

Order Taken By _____ Date _____

Emcor Order Entry Form

| <p>Buyer Name _____</p> <p>Buyer Phone _____</p> <p>Email 1 _____</p> <p>Email 2 _____</p> <p>Customer Code _____</p> <p>Sales Order _____</p> <p>Project Number _____</p> <p>Sales Hold Code _____</p> | <p>How did you hear about us?</p> <p><input type="checkbox"/> Existing Customer <input type="checkbox"/> Internet <input type="checkbox"/> Advertisement <input type="checkbox"/> Referral <input type="checkbox"/> Tradeshow</p> <p><input type="checkbox"/> Sales Representative <input type="checkbox"/> Other</p> | | | | | | | | | | | | | | | | | | | | | | | | | | | | | | | | | | | | | | | | | | | | | | | | | | | | | | | | | |
|---|--|-------------|--------------|-----------------------------------|--|--|-----------|------------------------------------|-----------------------------------|--------------------------------------|--|--|---------|---|--|--|---------------------------------|--|--|--|--|--|------------------------------|--|--|-------------------------------|--|--|--------------------------------|--|--|---------------------------------------|--|--|--|--|--|---|--|--|---|--|--|-----------------------------------|--|--|-----------------------------------|--|--|---|--|--|--|--|--|---|--|--|
| <p>Bill To _____</p> <p>_____</p> <p>_____</p> | <table border="1" style="width: 100%; border-collapse: collapse;"> <thead> <tr> <th style="text-align: left;">Market</th> <th style="text-align: left;">Product Type</th> <th style="text-align: left;">Commissions</th> </tr> </thead> <tbody> <tr> <td><input type="checkbox"/> Air Traffic Control</td> <td><input type="checkbox"/> Standard</td> <td>Rep _____</td> </tr> <tr> <td><input type="checkbox"/> Broadcast</td> <td><input type="checkbox"/> Modified</td> <td>% _____</td> </tr> <tr> <td><input type="checkbox"/> Datacom/Telecom</td> <td><input type="checkbox"/> Custom</td> <td></td> </tr> <tr> <td><input type="checkbox"/> Education/Research</td> <td></td> <td></td> </tr> <tr> <td><input type="checkbox"/> Energy</td> <td></td> <td></td> </tr> <tr> <td><input type="checkbox"/> Food and Beverage</td> <td></td> <td></td> </tr> <tr> <td><input type="checkbox"/> GSA</td> <td></td> <td></td> </tr> <tr> <td><input type="checkbox"/> HVAC</td> <td></td> <td></td> </tr> <tr> <td><input type="checkbox"/> Kiosk</td> <td></td> <td></td> </tr> <tr> <td><input type="checkbox"/> Machine Tool</td> <td></td> <td></td> </tr> <tr> <td><input type="checkbox"/> Material Handling/Packaging</td> <td></td> <td></td> </tr> <tr> <td><input type="checkbox"/> Medical/Healthcare</td> <td></td> <td></td> </tr> <tr> <td><input type="checkbox"/> Military (Defense/Aerospace)</td> <td></td> <td></td> </tr> <tr> <td><input type="checkbox"/> Reseller</td> <td></td> <td></td> </tr> <tr> <td><input type="checkbox"/> Security</td> <td></td> <td></td> </tr> <tr> <td><input type="checkbox"/> Simulator/Training</td> <td></td> <td></td> </tr> <tr> <td><input type="checkbox"/> Systems Integration</td> <td></td> <td></td> </tr> <tr> <td><input type="checkbox"/> Test/Measurement</td> <td></td> <td></td> </tr> </tbody> </table> | Market | Product Type | Commissions | <input type="checkbox"/> Air Traffic Control | <input type="checkbox"/> Standard | Rep _____ | <input type="checkbox"/> Broadcast | <input type="checkbox"/> Modified | % _____ | <input type="checkbox"/> Datacom/Telecom | <input type="checkbox"/> Custom | | <input type="checkbox"/> Education/Research | | | <input type="checkbox"/> Energy | | | <input type="checkbox"/> Food and Beverage | | | <input type="checkbox"/> GSA | | | <input type="checkbox"/> HVAC | | | <input type="checkbox"/> Kiosk | | | <input type="checkbox"/> Machine Tool | | | <input type="checkbox"/> Material Handling/Packaging | | | <input type="checkbox"/> Medical/Healthcare | | | <input type="checkbox"/> Military (Defense/Aerospace) | | | <input type="checkbox"/> Reseller | | | <input type="checkbox"/> Security | | | <input type="checkbox"/> Simulator/Training | | | <input type="checkbox"/> Systems Integration | | | <input type="checkbox"/> Test/Measurement | | |
| Market | Product Type | Commissions | | | | | | | | | | | | | | | | | | | | | | | | | | | | | | | | | | | | | | | | | | | | | | | | | | | | | | | | |
| <input type="checkbox"/> Air Traffic Control | <input type="checkbox"/> Standard | Rep _____ | | | | | | | | | | | | | | | | | | | | | | | | | | | | | | | | | | | | | | | | | | | | | | | | | | | | | | | | |
| <input type="checkbox"/> Broadcast | <input type="checkbox"/> Modified | % _____ | | | | | | | | | | | | | | | | | | | | | | | | | | | | | | | | | | | | | | | | | | | | | | | | | | | | | | | | |
| <input type="checkbox"/> Datacom/Telecom | <input type="checkbox"/> Custom | | | | | | | | | | | | | | | | | | | | | | | | | | | | | | | | | | | | | | | | | | | | | | | | | | | | | | | | | |
| <input type="checkbox"/> Education/Research | | | | | | | | | | | | | | | | | | | | | | | | | | | | | | | | | | | | | | | | | | | | | | | | | | | | | | | | | | |
| <input type="checkbox"/> Energy | | | | | | | | | | | | | | | | | | | | | | | | | | | | | | | | | | | | | | | | | | | | | | | | | | | | | | | | | | |
| <input type="checkbox"/> Food and Beverage | | | | | | | | | | | | | | | | | | | | | | | | | | | | | | | | | | | | | | | | | | | | | | | | | | | | | | | | | | |
| <input type="checkbox"/> GSA | | | | | | | | | | | | | | | | | | | | | | | | | | | | | | | | | | | | | | | | | | | | | | | | | | | | | | | | | | |
| <input type="checkbox"/> HVAC | | | | | | | | | | | | | | | | | | | | | | | | | | | | | | | | | | | | | | | | | | | | | | | | | | | | | | | | | | |
| <input type="checkbox"/> Kiosk | | | | | | | | | | | | | | | | | | | | | | | | | | | | | | | | | | | | | | | | | | | | | | | | | | | | | | | | | | |
| <input type="checkbox"/> Machine Tool | | | | | | | | | | | | | | | | | | | | | | | | | | | | | | | | | | | | | | | | | | | | | | | | | | | | | | | | | | |
| <input type="checkbox"/> Material Handling/Packaging | | | | | | | | | | | | | | | | | | | | | | | | | | | | | | | | | | | | | | | | | | | | | | | | | | | | | | | | | | |
| <input type="checkbox"/> Medical/Healthcare | | | | | | | | | | | | | | | | | | | | | | | | | | | | | | | | | | | | | | | | | | | | | | | | | | | | | | | | | | |
| <input type="checkbox"/> Military (Defense/Aerospace) | | | | | | | | | | | | | | | | | | | | | | | | | | | | | | | | | | | | | | | | | | | | | | | | | | | | | | | | | | |
| <input type="checkbox"/> Reseller | | | | | | | | | | | | | | | | | | | | | | | | | | | | | | | | | | | | | | | | | | | | | | | | | | | | | | | | | | |
| <input type="checkbox"/> Security | | | | | | | | | | | | | | | | | | | | | | | | | | | | | | | | | | | | | | | | | | | | | | | | | | | | | | | | | | |
| <input type="checkbox"/> Simulator/Training | | | | | | | | | | | | | | | | | | | | | | | | | | | | | | | | | | | | | | | | | | | | | | | | | | | | | | | | | | |
| <input type="checkbox"/> Systems Integration | | | | | | | | | | | | | | | | | | | | | | | | | | | | | | | | | | | | | | | | | | | | | | | | | | | | | | | | | | |
| <input type="checkbox"/> Test/Measurement | | | | | | | | | | | | | | | | | | | | | | | | | | | | | | | | | | | | | | | | | | | | | | | | | | | | | | | | | | |
| <p>Ship To _____</p> <p>_____</p> <p>_____</p> | <table border="1" style="width: 100%; border-collapse: collapse;"> <thead> <tr> <th style="text-align: left;">Order Type</th> <th style="text-align: left;">Rep</th> </tr> </thead> <tbody> <tr> <td><input type="checkbox"/> Standard</td> <td>% _____</td> </tr> <tr> <td><input type="checkbox"/> Instant Emcor</td> <td></td> </tr> <tr> <td><input type="checkbox"/> 24 HR</td> <td></td> </tr> <tr> <td><input type="checkbox"/> Special New</td> <td>Rep _____</td> </tr> <tr> <td><input type="checkbox"/> Special Reissue</td> <td>% _____</td> </tr> </tbody> </table> | Order Type | Rep | <input type="checkbox"/> Standard | % _____ | <input type="checkbox"/> Instant Emcor | | <input type="checkbox"/> 24 HR | | <input type="checkbox"/> Special New | Rep _____ | <input type="checkbox"/> Special Reissue | % _____ | | | | | | | | | | | | | | | | | | | | | | | | | | | | | | | | | | | | | | | | | | | | | |
| Order Type | Rep | | | | | | | | | | | | | | | | | | | | | | | | | | | | | | | | | | | | | | | | | | | | | | | | | | | | | | | | | |
| <input type="checkbox"/> Standard | % _____ | | | | | | | | | | | | | | | | | | | | | | | | | | | | | | | | | | | | | | | | | | | | | | | | | | | | | | | | | |
| <input type="checkbox"/> Instant Emcor | | | | | | | | | | | | | | | | | | | | | | | | | | | | | | | | | | | | | | | | | | | | | | | | | | | | | | | | | | |
| <input type="checkbox"/> 24 HR | | | | | | | | | | | | | | | | | | | | | | | | | | | | | | | | | | | | | | | | | | | | | | | | | | | | | | | | | | |
| <input type="checkbox"/> Special New | Rep _____ | | | | | | | | | | | | | | | | | | | | | | | | | | | | | | | | | | | | | | | | | | | | | | | | | | | | | | | | | |
| <input type="checkbox"/> Special Reissue | % _____ | | | | | | | | | | | | | | | | | | | | | | | | | | | | | | | | | | | | | | | | | | | | | | | | | | | | | | | | | |
| <p>Ship Via _____ <input type="checkbox"/> PPD <input type="checkbox"/> Collect <input type="checkbox"/> COD <input type="checkbox"/> 3rd Party Bill <input type="checkbox"/> PPL</p> <p>Quoted Ship Date _____</p> | <p>Tax Status _____</p> <p><input type="checkbox"/> For Resale</p> <p><input type="checkbox"/> Not Taxable</p> <p><input type="checkbox"/> Exempt</p> <p><input type="checkbox"/> Taxable</p> | | | | | | | | | | | | | | | | | | | | | | | | | | | | | | | | | | | | | | | | | | | | | | | | | | | | | | | | | |
| <p>Credit Card # _____ Expires _____</p> <p>Card Holder Name _____ CCV# _____</p> <p>Address on CC _____</p> | <p>Special Instructions _____</p> <p>_____</p> <p>_____</p> <p>_____</p> | | | | | | | | | | | | | | | | | | | | | | | | | | | | | | | | | | | | | | | | | | | | | | | | | | | | | | | | | |

Emcor® Enclosures are Designed and Manufactured by Crenlo®
 Crenlo | 1600 4th Avenue NW | Rochester, MN 55901
 507-289-3371 (phone) | 507-287-3405 (fax) | www.crenlo.com

Form No. 12088.09.11
www.emcorenclosures.com

Ordering Guide - Vertical and Slope Front Frames

| Frame Options | Full Height Mounting Rail Options | | |
|---------------|--|---|--|
| | Thru-Hole/Tapped Rails | Mounting Straps | Square Hole/Dell® Rails |
| | <p>Thru Hole rails are supplied with the frame. Only select this option if you would like a tapped version or need extra rails.</p> <p>[1] Block Indicate: [blank] = Thru Hole (supplied with frame) [-1032-1] = Tapped 1 Face [-1032-2] = Tapped 2 Faces</p> <p>Note: Mounting rails are sold as pairs.</p> | <p>Note: Mounting straps are sold as pairs.</p> | <p>Note: Mounting rails are sold as pairs.</p> <p>Note: Side mount accessories, such as chassis guides and drawers, are not compatible with these rails.</p> |

| Vertical Frames 12U 16U 20U 23U 25U 30U 35U 40U 45U | Front or Rear | Intermediate | Front or Rear |
|--|---------------|--------------|---------------|
| SFR-182119 | PMA-21A[1] | MS-21 | DPMA-21 |
| SFR-222119 | PMA-21A[1] | MS-21 | DPMA-21 |
| SFR-252119 | PMA-21A[1] | MS-21 | DPMA-21 |
| SFR-302119 | PMA-21A[1] | MS-21 | DPMA-21 |
| SFR-182819 | PMA-28A[1] | MS-28 | DPMA-28 |
| SFR-222819 | PMA-28A[1] | MS-28 | DPMA-28 |
| SFR-252819 | PMA-28A[1] | MS-28 | DPMA-28 |
| SFR-302819 | PMA-28A[1] | MS-28 | DPMA-28 |
| SFR-223519 | PMA-35A[1] | MS-35 | DPMA-35 |
| SFR-253519 | PMA-35A[1] | MS-35 | DPMA-35 |
| SFR-224019 | PMA-40A[1] | MS-40 | DPMA-40 |
| SFR-254019 | PMA-40A[1] | MS-40 | DPMA-40 |
| SFR-224319 | PMA-43A[1] | MS-43 | DPMA-43 |
| SFR-254319 | PMA-43A[1] | MS-43 | DPMA-43 |
| SFR-304319 | PMA-43A[1] | MS-43 | DPMA-43 |
| SFR-225219 | PMA-52A[1] | MS-52 | DPMA-52 |
| SFR-255219 | PMA-52A[1] | MS-52 | DPMA-52 |
| SFR-305219 | PMA-52A[1] | MS-52 | DPMA-52 |
| SFR-226119 | PMA-61A[1] | MS-61 | DPMA-61 |
| SFR-256119 | PMA-61A[1] | MS-61 | DPMA-61 |
| SFR-306119 | PMA-61A[1] | MS-61 | DPMA-61 |
| SFR-227019 | PMA-70A[1] | MS-70 | DPMA-70 |
| SFR-257019 | PMA-70A[1] | MS-70 | DPMA-70 |
| SFR-307019 | PMA-70A[1] | MS-70 | DPMA-70 |
| SFR-227819 | PMA-78A[1] | MS-78 | DPMA-78 |
| SFR-257819 | PMA-78A[1] | MS-78 | DPMA-78 |
| SFR-307819 | PMA-78A[1] | MS-78 | DPMA-78 |

| Vertical Frames - Work Surface Provisions 12U "Desk Height" 16U "Counter Height" | Front or Rear | Intermediate | Front or Rear |
|---|---------------|--------------|---------------|
| SFR-182119-WT | PMA-21A[1] | MS-21 | DPMA-21 |
| SFR-222119-WT | PMA-21A[1] | MS-21 | DPMA-21 |
| SFR-252119-WT | PMA-21A[1] | MS-21 | DPMA-21 |
| SFR-302119-WT | PMA-21A[1] | MS-21 | DPMA-21 |
| SFR-182819-WT | PMA-28A[1] | MS-28 | DPMA-28 |
| SFR-222819-WT | PMA-28A[1] | MS-28 | DPMA-28 |
| SFR-252819-WT | PMA-28A[1] | MS-28 | DPMA-28 |
| SFR-302819-WT | PMA-28A[1] | MS-28 | DPMA-28 |

| Slope Front Frames 6U 10U 14U Slope Openings | Front | Rear | Intermediate | Front | Rear |
|---|-----------|-----------|----------------------------|---------------|---------------|
| SFRS-221019* | PMA-28[1] | PMA-38[1] | MS-28 (front) MS-38 (rear) | not available | not available |
| SFRS-251019* | PMA-28[1] | PMA-38[1] | MS-28 (front) MS-38 (rear) | not available | not available |
| SFRS-221719 | PMA-24[1] | PMA-42[1] | MS-24 (front) MS-42 (rear) | not available | not available |
| SFRS-251719 | PMA-24[1] | PMA-42[1] | MS-24 (front) MS-42 (rear) | not available | not available |
| SFRS-301719* | PMA-24[1] | PMA-42[1] | MS-24 (front) MS-42 (rear) | not available | not available |
| SFRS-222419 | PMA-24[1] | PMA-49[1] | MS-24 (front) MS-49 (rear) | not available | not available |
| SFRS-252419 | PMA-24[1] | PMA-49[1] | MS-24 (front) MS-49 (rear) | not available | not available |
| SFRS-302419* | PMA-24[1] | PMA-49[1] | MS-24 (front) MS-49 (rear) | not available | not available |

For 24" EIA width, change "19" to "24" in part number.
(i.e. SFRS-252419 becomes SFRS-252424)

Part number valid for 24" EIA width.

Part number valid for 24" EIA width.

Part number valid for 24" EIA width.

For 30" EIA width, change "19" to "30" in part number.
(i.e. SFRS-252419 becomes SFRS-252430)
*Contact the factory for 30" EIA Width's

Part number valid for 30" EIA width.

Part number valid for 30" EIA width.

Part number valid for 30" EIA width.

Ordering Guide - Vertical and Slope Front Frames

| Frame Options | Side Panel Options |
|---------------|--------------------|
|---------------|--------------------|

Panels

[1] Block Indicate:

[-SI] = Formed Inside Removable Solid
 [-LI] = Formed Inside Removable Louvered
 [-S] = Formed Outside Removable Solid
 [-FL] = Flat Inside Removable Solid

[2] Block Indicate:

[-LH] = Left Side Panel
 [-RH] = Right Side Panel

| Vertical Frames 12U 16U 20U 23U 25U 30U 35U 40U 45U | Left or Right |
|--|---------------|
| SFR-182119 | SSP-1821[1] |
| SFR-222119 | SSP-2221[1] |
| SFR-252119 | SSP-2521[1] |
| SFR-302119 | SSP-3021[1] |
| SFR-182819 | SSP-1828[1] |
| SFR-222819 | SSP-2228[1] |
| SFR-252819 | SSP-2528[1] |
| SFR-302819 | SSP-3028[1] |
| SFR-223519 | SSP-2235[1] |
| SFR-253519 | SSP-2535[1] |
| SFR-224019 | SSP-2240[1] |
| SFR-254019 | SSP-2540[1] |
| SFR-224319 | SSP-2243[1] |
| SFR-254319 | SSP-2543[1] |
| SFR-304319 | SSP-3043[1] |
| SFR-225219 | SSP-2252[1] |
| SFR-255219 | SSP-2552[1] |
| SFR-305219 | SSP-3052[1] |
| SFR-226119 | SSP-2261[1] |
| SFR-256119 | SSP-2561[1] |
| SFR-306119 | SSP-3061[1] |
| SFR-227019 | SSP-2270[1] |
| SFR-257019 | SSP-2570[1] |
| SFR-307019 | SSP-3070[1] |
| SFR-227819 | SSP-2278[1] |
| SFR-257819 | SSP-2578[1] |
| SFR-307819 | SSP-3078[1] |

| Vertical Frames - Work Surface Provisions 12U "Desk Height" 16U "Counter Height" | Left or Right |
|---|---------------|
| SFR-182119-WT | SSP-1821[1] |
| SFR-222119-WT | SSP-2221[1] |
| SFR-252119-WT | SSP-2521[1] |
| SFR-302119-WT | SSP-3021[1] |
| SFR-182819-WT | SSP-1828[1] |
| SFR-222819-WT | SSP-2228[1] |
| SFR-252819-WT | SSP-2528[1] |
| SFR-302819-WT | SSP-3028[1] |

| Slope Front Frames 6U 10U 14U Slope Openings | Left or Right |
|---|----------------|
| SFRS-221019* | SSP-2210[1][2] |
| SFRS-251019* | SSP-2510[1][2] |
| SFRS-221719 | SSP-2217[1][2] |
| SFRS-251719 | SSP-2517[1][2] |
| SFRS-301719* | SSP-3017[1][2] |
| SFRS-222419 | SSP-2224[1][2] |
| SFRS-252419 | SSP-2524[1][2] |
| SFRS-302419* | SSP-3024[1][2] |

For 24" EIA width, change "19" to "24" in part number.
 (i.e. SFRS-252419 becomes SFRS-252424)

Part number valid for 24" EIA width.

For 30" EIA width, change "19" to "30" in part number.
 (i.e. SFRS-252419 becomes SFRS-252430)

Part number valid for 30" EIA width.

*Contact the factory for 30" EIA Width's

Ordering Guide - Vertical and Slope Front Frames

| Frame Options | Full Height Door Options | | |
|---------------|--|--|---|
| | Flush Doors | Surface Doors | Window Doors |
| | <p>[1] Block Indicate: [S] = Solid [V] = Vented [L] = Louvered</p> <p>[2] Block Indicate: [R] = Right Hinge [L] = Left Hinge</p> | <p>[1] Block Indicate: [S] = Solid [V] = Vented [L] = Louvered [P] = Perforated</p> <p>[2] Block Indicate: [R] = Right Hinge [L] = Left Hinge</p> <p>Note: -P only available in 20U - 45U sizes.</p> | <p>[1] Block Indicate: [-LH] = Left Hinge [-RH] = Right Hinge</p> <p>[2] Block Indicate: Blank = Non Locking [-LK] = Locking</p> <p>[3] Block Indicate: [blank] = Window w/ Smoked Plexiglas® [-WC] = Window w/ Clear Plexiglas®</p> |

| Vertical Frames 12U 16U 20U 23U 25U 30U 35U 40U 45U | Front or Rear | Front or Rear | Front or Rear |
|--|-----------------|-----------------|---------------------|
| SFR-182119 | DF-H[1][2]-2119 | DS-E[1][2]-2119 | WDA-2119A-[1][2][3] |
| SFR-222119 | DF-H[1][2]-2119 | DS-E[1][2]-2119 | WDA-2119A-[1][2][3] |
| SFR-252119 | DF-H[1][2]-2119 | DS-E[1][2]-2119 | WDA-2119A-[1][2][3] |
| SFR-302119 | DF-H[1][2]-2119 | DS-E[1][2]-2119 | WDA-2119A-[1][2][3] |
| SFR-182819 | DF-H[1][2]-2819 | DS-E[1][2]-2819 | WDA-2819A-[1][2][3] |
| SFR-222819 | DF-H[1][2]-2819 | DS-E[1][2]-2819 | WDA-2819A-[1][2][3] |
| SFR-252819 | DF-H[1][2]-2819 | DS-E[1][2]-2819 | WDA-2819A-[1][2][3] |
| SFR-302819 | DF-H[1][2]-2819 | DS-E[1][2]-2819 | WDA-2819A-[1][2][3] |
| SFR-223519 | DF-H[1][2]-3519 | DS-E[1][2]-3519 | WDA-3519A-[1][2][3] |
| SFR-253519 | DF-H[1][2]-3519 | DS-E[1][2]-3519 | WDA-3519A-[1][2][3] |
| SFR-224019 | DF-H[1][2]-4019 | DS-E[1][2]-4019 | WDA-4019A-[1][2][3] |
| SFR-254019 | DF-H[1][2]-4019 | DS-E[1][2]-4019 | WDA-4019A-[1][2][3] |
| SFR-224319 | DF-H[1][2]-4319 | DS-E[1][2]-4319 | WDA-4319A-[1][2][3] |
| SFR-254319 | DF-H[1][2]-4319 | DS-E[1][2]-4319 | WDA-4319A-[1][2][3] |
| SFR-304319 | DF-H[1][2]-4319 | DS-E[1][2]-4319 | WDA-4319A-[1][2][3] |
| SFR-225219 | DF-H[1][2]-5219 | DS-E[1][2]-5219 | WDA-5219A-[1][2][3] |
| SFR-255219 | DF-H[1][2]-5219 | DS-E[1][2]-5219 | WDA-5219A-[1][2][3] |
| SFR-305219 | DF-H[1][2]-5219 | DS-E[1][2]-5219 | WDA-5219A-[1][2][3] |
| SFR-226119 | DF-H[1][2]-6119 | DS-E[1][2]-6119 | WDA-6119A-[1][2][3] |
| SFR-256119 | DF-H[1][2]-6119 | DS-E[1][2]-6119 | WDA-6119A-[1][2][3] |
| SFR-306119 | DF-H[1][2]-6119 | DS-E[1][2]-6119 | WDA-6119A-[1][2][3] |
| SFR-227019 | DF-H[1][2]-7019 | DS-E[1][2]-7019 | WDA-7019A-[1][2][3] |
| SFR-257019 | DF-H[1][2]-7019 | DS-E[1][2]-7019 | WDA-7019A-[1][2][3] |
| SFR-307019 | DF-H[1][2]-7019 | DS-E[1][2]-7019 | WDA-7019A-[1][2][3] |
| SFR-227819 | DF-H[1][2]-7819 | DS-E[1][2]-7819 | WDA-7819A-[1][2][3] |
| SFR-257819 | DF-H[1][2]-7819 | DS-E[1][2]-7819 | WDA-7819A-[1][2][3] |
| SFR-307819 | DF-H[1][2]-7819 | DS-E[1][2]-7819 | WDA-7819A-[1][2][3] |

| Vertical Frames - Work Surface Provisions 12U "Desk Height" 16U "Counter Height" | Front | Rear | Front | Rear | Front or Rear |
|---|-----------------|-----------------|-----------------|-----------------|-----------------|
| SFR-182119-WT | DF-H[1][2]-2119 | DF-H[1][2]-2119 | DS-E[1][2]-2019 | DS-E[1][2]-2119 | contact factory |
| SFR-222119-WT | DF-H[1][2]-2119 | DF-H[1][2]-2119 | DS-E[1][2]-2019 | DS-E[1][2]-2119 | contact factory |
| SFR-252119-WT | DF-H[1][2]-2119 | DF-H[1][2]-2119 | DS-E[1][2]-2019 | DS-E[1][2]-2119 | contact factory |
| SFR-302119-WT | DF-H[1][2]-2119 | DF-H[1][2]-2119 | DS-E[1][2]-2019 | DS-E[1][2]-2119 | contact factory |
| SFR-182819-WT | DF-H[1][2]-2819 | DF-H[1][2]-2819 | DS-E[1][2]-2719 | DS-E[1][2]-2819 | contact factory |
| SFR-222819-WT | DF-H[1][2]-2819 | DF-H[1][2]-2819 | DS-E[1][2]-2719 | DS-E[1][2]-2819 | contact factory |
| SFR-252819-WT | DF-H[1][2]-2819 | DF-H[1][2]-2819 | DS-E[1][2]-2719 | DS-E[1][2]-2819 | contact factory |
| SFR-302819-WT | DF-H[1][2]-2819 | DF-H[1][2]-2819 | DS-E[1][2]-2719 | DS-E[1][2]-2819 | contact factory |

| Slope Front Frames 6U 10U 14U Slope Openings | Front | Rear | Front | Rear | Front | Rear |
|---|-----------------|-----------------|-----------------|-----------------|-----------------|-----------------|
| SFRS-221019* | DF-H[1][2]-2819 | DF-H[1][2]-3819 | DS-E[1][2]-2819 | DS-E[1][2]-3819 | contact factory | contact factory |
| SFRS-251019* | DF-H[1][2]-2819 | DF-H[1][2]-3819 | DS-E[1][2]-2819 | DS-E[1][2]-3819 | contact factory | contact factory |
| SFRS-221719 | DF-H[1][2]-2419 | DF-H[1][2]-4219 | DS-E[1][2]-2419 | DS-E[1][2]-4219 | contact factory | contact factory |
| SFRS-251719 | DF-H[1][2]-2419 | DF-H[1][2]-4219 | DS-E[1][2]-2419 | DS-E[1][2]-4219 | contact factory | contact factory |
| SFRS-301719* | DF-H[1][2]-2419 | DF-H[1][2]-4219 | DS-E[1][2]-2419 | DS-E[1][2]-4219 | contact factory | contact factory |
| SFRS-222419 | DF-H[1][2]-2419 | DF-H[1][2]-4919 | DS-E[1][2]-2419 | DS-E[1][2]-4919 | contact factory | contact factory |
| SFRS-252419 | DF-H[1][2]-2419 | DF-H[1][2]-4919 | DS-E[1][2]-2419 | DS-E[1][2]-4919 | contact factory | contact factory |
| SFRS-302419* | DF-H[1][2]-2419 | DF-H[1][2]-4919 | DS-E[1][2]-2419 | DS-E[1][2]-4919 | contact factory | contact factory |

For 24" EIA width, change "19" to "24" in part number. (i.e. SFRS-252419 becomes SFRS-252424)

For 24" EIA width, change "19" to "24" in part number. (i.e. DF-H[1][2]-2419 becomes DF-H[1][2]-2424)

For 24" EIA width, change "19" to "24" in part number. (i.e. DS-E[1][2]-2419 becomes DS-E[1][2]-2424)

For 24" EIA width, change "19" to "24" in part number. (i.e. WDA-2819A-[1][2][3] becomes WDA-2824A-[1][2][3])

For 30" EIA width, change "19" to "30" in part number. (i.e. SFRS-252419 becomes SFRS-252430)

For 30" EIA width, change "19" to "30" in part number. (i.e. DF-H[1][2]-2419 becomes DF-H[1][2]-2430)

For 30" EIA width, change "19" to "30" in part number. (i.e. DS-E[1][2]-2419 becomes DS-E[1][2]-2430)

For 30" EIA width, change "19" to "30" in part number. (i.e. WDA-2819A-[1][2][3] becomes WDA-2830A-[1][2][3])

*Contact the factory for 30" EIA Width's

Ordering Guide - Vertical and Slope Front Frames

| Frame Options | Full Depth Top Panel Options | | |
|--|---|--|--|
| | Panels | Fan Panels | Lift Kits |
| | [1] Block Indicate: [blank] = Solid [-V] = Vented [-PA] = Perforated [-LV] = Louvered [-F] = Laminate | | [1] Block Indicate: [blank] = Solid [-LV] = Louvered [-PA] = Perforated |
| Vertical Frames | | | |
| 12U 16U 20U 23U 25U 30U 35U 40U 45U | | | |
| SFR-182119 | XPN-1419[1] | contact factory | SLA-1419[1] |
| SFR-222119 | XPN-1719[1] | XPN-1719-FP | SLA-1719[1] |
| SFR-252119 | XPN-2119[1] | XPN-2119-FP | SLA-2119[1] |
| SFR-302119 | XPN-2619[1] | XPN-2619-FP | SLA-2619[1] |
| SFR-182819 | XPN-1419[1] | contact factory | SLA-1419[1] |
| SFR-222819 | XPN-1719[1] | XPN-1719-FP | SLA-1719[1] |
| SFR-252819 | XPN-2119[1] | XPN-2119-FP | SLA-2119[1] |
| SFR-302819 | XPN-2619[1] | XPN-2619-FP | SLA-2619[1] |
| SFR-223519 | XPN-1719[1] | XPN-1719-FP | SLA-1719[1] |
| SFR-253519 | XPN-2119[1] | XPN-2119-FP | SLA-2119[1] |
| SFR-224019 | XPN-1719[1] | XPN-1719-FP | SLA-1719[1] |
| SFR-254019 | XPN-2119[1] | XPN-2119-FP | SLA-2119[1] |
| SFR-224319 | XPN-1719[1] | XPN-1719-FP | SLA-1719[1] |
| SFR-254319 | XPN-2119[1] | XPN-2119-FP | SLA-2119[1] |
| SFR-304319 | XPN-2619[1] | XPN-2619-FP | SLA-2619[1] |
| SFR-225219 | XPN-1719[1] | XPN-1719-FP | SLA-1719[1] |
| SFR-255219 | XPN-2119[1] | XPN-2119-FP | SLA-2119[1] |
| SFR-305219 | XPN-2619[1] | XPN-2619-FP | SLA-2619[1] |
| SFR-226119 | XPN-1719[1] | XPN-1719-FP | SLA-1719[1] |
| SFR-256119 | XPN-2119[1] | XPN-2119-FP | SLA-2119[1] |
| SFR-306119 | XPN-2619[1] | XPN-2619-FP | SLA-2619[1] |
| SFR-227019 | XPN-1719[1] | XPN-1719-FP | SLA-1719[1] |
| SFR-257019 | XPN-2119[1] | XPN-2119-FP | SLA-2119[1] |
| SFR-307019 | XPN-2619[1] | XPN-2619-FP | SLA-2619[1] |
| SFR-227819 | XPN-1719[1] | XPN-1719-FP | SLA-1719[1] |
| SFR-257819 | XPN-2119[1] | XPN-2119-FP | SLA-2119[1] |
| SFR-307819 | XPN-2619[1] | XPN-2619-FP | SLA-2619[1] |
| Vertical Frames - Work Surface Provisions | | | |
| 12U "Desk Height" 16U "Counter Height" | | | |
| SFR-182119-WT | XPN-1419[1] | contact factory | not available |
| SFR-222119-WT | XPN-1719[1] | XPN-1719-FP | not available |
| SFR-252119-WT | XPN-2119[1] | XPN-2119-FP | not available |
| SFR-302119-WT | XPN-2619[1] | XPN-2619-FP | not available |
| SFR-182819-WT | XPN-1419[1] | contact factory | not available |
| SFR-222819-WT | XPN-1719[1] | XPN-1719-FP | not available |
| SFR-252819-WT | XPN-2119[1] | XPN-2119-FP | not available |
| SFR-302819-WT | XPN-2619[1] | XPN-2619-FP | not available |
| Slope Front Frames | | | |
| 6U 10U 14U Slope Openings | | | |
| SFRS-221019* | XPN-1419[1] | contact factory | not available |
| SFRS-251019* | XPN-1719[1] | XPN-1719-FP | not available |
| SFRS-221719 | XPN-1219[1] | contact factory | not available |
| SFRS-251719 | XPN-1519[1] | contact factory | not available |
| SFRS-301719* | XPN-2119[1] | XPN-2119-FP | not available |
| SFRS-222419 | XPN-0819[1] | contact factory | not available |
| SFRS-252419 | XPN-1219[1] | contact factory | not available |
| SFRS-302419* | XPN-1719[1] | XPN-1719-FP | not available |
| For 24" EIA width, change "19" to "24" in part number. (i.e. SFRS-252419 becomes SFRS-252424) | For 24" EIA width, change "19" to "24" in part number. (i.e. XPN-2119[1] becomes XPN-2124[1]) | For 24" EIA width, change "19" to "24" in part number. (i.e. XPN-2119-FP becomes XPN-2124-FP) | For 24" EIA width, change "19" to "24" in part number. (i.e. SLA-2619[1] becomes SLA-2624[1]) |
| For 30" EIA width, change "19" to "30" in part number. (i.e. SFRS-252419 becomes SFRS-252430) *Contact the factory for 30" EIA Width's | For 30" EIA width, change "19" to "30" in part number. (i.e. XPN-2119[1] becomes XPN-2130[1]) | For 30" EIA width, change "19" to "30" in part number. (i.e. XPN-2119-FP becomes XPN-2130-FP) | For 30" EIA width, change "19" to "30" in part number. (i.e. SLA-2619[1] becomes SLA-2630[1]) |

Ordering Guide - Vertical and Slope Front Frames

| Frame Options | Bottom/Base Options | |
|--|--|--|
| | Panels | Bases |
| | <p>[1] Block Indicate: [blank] = Solid [-PA] = Perforated</p> | <p>A Riser (pontoon base) is supplied with the frame. Only select this option if you would like to replace it or add outlet provisions.</p> <p>[1] Block Indicate: [blank] = Riser (pontoon Base) [-DO] = Riser (pontoon Base) w/ Outlet [-AT] = Caster Dolly/Anti Tip</p> |
| <p>Vertical Frames 12U 16U 20U 23U 25U 30U 35U 40U 45U</p> | | |
| SFR-182119 | XPN-1419[1] | SPB-1819[1] |
| SFR-222119 | XPN-1719[1] | SPB-2219[1] |
| SFR-252119 | XPN-2119[1] | SPB-2519[1] |
| SFR-302119 | XPN-2619[1] | SPB-3019[1] |
| SFR-182819 | XPN-1419[1] | SPB-1819[1] |
| SFR-222819 | XPN-1719[1] | SPB-2219[1] |
| SFR-252819 | XPN-2119[1] | SPB-2519[1] |
| SFR-302819 | XPN-2619[1] | SPB-3019[1] |
| SFR-223519 | XPN-1719[1] | SPB-2219[1] |
| SFR-253519 | XPN-2119[1] | SPB-2519[1] |
| SFR-224019 | XPN-1719[1] | SPB-2219[1] |
| SFR-254019 | XPN-2119[1] | SPB-2519[1] |
| SFR-224319 | XPN-1719[1] | SPB-2219[1] |
| SFR-254319 | XPN-2119[1] | SPB-2519[1] |
| SFR-304319 | XPN-2619[1] | SPB-3019[1] |
| SFR-225219 | XPN-1719[1] | SPB-2219[1] |
| SFR-255219 | XPN-2119[1] | SPB-2519[1] |
| SFR-305219 | XPN-2619[1] | SPB-3019[1] |
| SFR-226119 | XPN-1719[1] | SPB-2219[1] |
| SFR-256119 | XPN-2119[1] | SPB-2519[1] |
| SFR-306119 | XPN-2619[1] | SPB-3019[1] |
| SFR-227019 | XPN-1719[1] | SPB-2219[1] |
| SFR-257019 | XPN-2119[1] | SPB-2519[1] |
| SFR-307019 | XPN-2619[1] | SPB-3019[1] |
| SFR-227819 | XPN-1719[1] | SPB-2219[1] |
| SFR-257819 | XPN-2119[1] | SPB-2519[1] |
| SFR-307819 | XPN-2619[1] | SPB-3019[1] |
| <p>Vertical Frames - Work Surface Provisions 12U "Desk Height" 16U "Counter Height"</p> | | |
| SFR-182119-WT | XPN-1419[1]-WT | SPB-1819[1] |
| SFR-222119-WT | XPN-1719[1]-WT | SPB-2219[1] |
| SFR-252119-WT | XPN-2119[1]-WT | SPB-2519[1] |
| SFR-302119-WT | XPN-2619[1]-WT | SPB-3019[1] |
| SFR-182819-WT | XPN-1419[1]-WT | SPB-1819[1] |
| SFR-222819-WT | XPN-1719[1]-WT | SPB-2219[1] |
| SFR-252819-WT | XPN-2119[1]-WT | SPB-2519[1] |
| SFR-302819-WT | XPN-2619[1]-WT | SPB-3019[1] |
| <p>Slope Front Frames 6U 10U 14U Slope Openings</p> | | |
| SFRS-221019* | XPN-1719[1] | SPB-2219[1] |
| SFRS-251019* | XPN-2119[1] | SPB-2519[1] |
| SFRS-221719 | XPN-1719[1] | SPB-2219[1] |
| SFRS-251719 | XPN-2119[1] | SPB-2519[1] |
| SFRS-301719* | XPN-2619[1] | SPB-3019[1] |
| SFRS-222419 | XPN-1719[1] | SPB-2219[1] |
| SFRS-252419 | XPN-2119[1] | SPB-2519[1] |
| SFRS-302419* | XPN-2619[1] | SPB-3019[1] |
| For 24" EIA width, change "19" to "24" in part number. (i.e. SFRS-252419 becomes SFRS-252424) | For 24" EIA width, change "19" to "24" in part number. (i.e. XPN-2119[1] becomes XPN-2124[1]) | For 24" EIA width, change "19" to "24" in part number. (i.e. SPB-2519[1] becomes SPB-2524[1]) |
| For 30" EIA width, change "19" to "30" in part number. (i.e. SFRS-252419 becomes SFRS-252430) *Contact the factory for 30" EIA Width's | For 30" EIA width, change "19" to "30" in part number. (i.e. XPN-2119[1] becomes XPN-2130[1]) | For 30" EIA width, change "19" to "24" in part number. (i.e. SPB-2519[1] becomes SPB-2530[1]) |

Ordering Guide - Vertical and Slope Front Frames

| Frame Options | Shelves | | |
|--|--|---|---|
| | Chassis Guides | Fixed Shelves | Pull Out Shelves |
| | [R] Block Indicate: [18] = 17.250" A Rail to Rail Setting [22] = 20.750" B Rail to Rail Setting [25] = 24.250" C Rail to Rail Setting [30] = 29.500" D Rail to Rail Setting | [R] Block Indicate: [18] = 17.250" A Rail to Rail Setting [22] = 20.750" B Rail to Rail Setting [25] = 24.250" C Rail to Rail Setting [30] = 29.500" D Rail to Rail Setting [1] Block Indicate: [blank] = Solid [-PA] = Perforated | [R] Block Indicate: [18] = 17.250" A Rail to Rail Setting [22] = 20.750" B Rail to Rail Setting [25] = 24.250" C Rail to Rail Setting [30] = 29.500" D Rail to Rail Setting [1] Block Indicate: [blank] = Solid [-PA] = Perforated |
| Vertical Frames | | | |
| 12U 16U 20U 23U 25U 30U 35U 40U 45U | | | |
| SFR-182119 | CG-[R] | SES-[R]19[1] | SCSQ-[R]19[1] |
| SFR-222119 | CG-[R] | SES-[R]19[1] | SCSQ-[R]19[1] |
| SFR-252119 | CG-[R] | SES-[R]19[1] | SCSQ-[R]19[1] |
| SFR-302119 | CG-[R] | SES-[R]19[1] | SCSQ-[R]19[1] |
| SFR-182819 | CG-[R] | SES-[R]19[1] | SCSQ-[R]19[1] |
| SFR-222819 | CG-[R] | SES-[R]19[1] | SCSQ-[R]19[1] |
| SFR-252819 | CG-[R] | SES-[R]19[1] | SCSQ-[R]19[1] |
| SFR-302819 | CG-[R] | SES-[R]19[1] | SCSQ-[R]19[1] |
| SFR-223519 | CG-[R] | SES-[R]19[1] | SCSQ-[R]19[1] |
| SFR-253519 | CG-[R] | SES-[R]19[1] | SCSQ-[R]19[1] |
| SFR-224019 | CG-[R] | SES-[R]19[1] | SCSQ-[R]19[1] |
| SFR-254019 | CG-[R] | SES-[R]19[1] | SCSQ-[R]19[1] |
| SFR-224319 | CG-[R] | SES-[R]19[1] | SCSQ-[R]19[1] |
| SFR-254319 | CG-[R] | SES-[R]19[1] | SCSQ-[R]19[1] |
| SFR-304319 | CG-[R] | SES-[R]19[1] | SCSQ-[R]19[1] |
| SFR-225219 | CG-[R] | SES-[R]19[1] | SCSQ-[R]19[1] |
| SFR-255219 | CG-[R] | SES-[R]19[1] | SCSQ-[R]19[1] |
| SFR-305219 | CG-[R] | SES-[R]19[1] | SCSQ-[R]19[1] |
| SFR-226119 | CG-[R] | SES-[R]19[1] | SCSQ-[R]19[1] |
| SFR-256119 | CG-[R] | SES-[R]19[1] | SCSQ-[R]19[1] |
| SFR-306119 | CG-[R] | SES-[R]19[1] | SCSQ-[R]19[1] |
| SFR-227019 | CG-[R] | SES-[R]19[1] | SCSQ-[R]19[1] |
| SFR-257019 | CG-[R] | SES-[R]19[1] | SCSQ-[R]19[1] |
| SFR-307019 | CG-[R] | SES-[R]19[1] | SCSQ-[R]19[1] |
| SFR-227819 | CG-[R] | SES-[R]19[1] | SCSQ-[R]19[1] |
| SFR-257819 | CG-[R] | SES-[R]19[1] | SCSQ-[R]19[1] |
| SFR-307819 | CG-[R] | SES-[R]19[1] | SCSQ-[R]19[1] |
| Vertical Frames - Work Surface Provisions | | | |
| 12U "Desk Height" 16U "Counter Height" | | | |
| SFR-182119-WT | CG-[R] | SES-[R]19[1] | SCSQ-[R]19[1] |
| SFR-222119-WT | CG-[R] | SES-[R]19[1] | SCSQ-[R]19[1] |
| SFR-252119-WT | CG-[R] | SES-[R]19[1] | SCSQ-[R]19[1] |
| SFR-302119-WT | CG-[R] | SES-[R]19[1] | SCSQ-[R]19[1] |
| SFR-182819-WT | CG-[R] | SES-[R]19[1] | SCSQ-[R]19[1] |
| SFR-222819-WT | CG-[R] | SES-[R]19[1] | SCSQ-[R]19[1] |
| SFR-252819-WT | CG-[R] | SES-[R]19[1] | SCSQ-[R]19[1] |
| SFR-302819-WT | CG-[R] | SES-[R]19[1] | SCSQ-[R]19[1] |
| Slope Front Frames | | | |
| 6U 10U 14U Slope Openings | | | |
| SFRS-221019* | CG-[R] | SES-[R]19[1] | SCSQ-[R]19[1] |
| SFRS-251019* | CG-[R] | SES-[R]19[1] | SCSQ-[R]19[1] |
| SFRS-221719 | CG-[R] | SES-[R]19[1] | SCSQ-[R]19[1] |
| SFRS-251719 | CG-[R] | SES-[R]19[1] | SCSQ-[R]19[1] |
| SFRS-301719* | CG-[R] | SES-[R]19[1] | SCSQ-[R]19[1] |
| SFRS-222419 | CG-[R] | SES-[R]19[1] | SCSQ-[R]19[1] |
| SFRS-252419 | CG-[R] | SES-[R]19[1] | SCSQ-[R]19[1] |
| SFRS-302419* | CG-[R] | SES-[R]19[1] | SCSQ-[R]19[1] |
| For 24" EIA width, change "19" to "24" in part number. (i.e. SFRS-252419 becomes SFRS-252424) | Part number valid for 24" EIA width. | For 24" EIA width, change "19" to "24" in part number. (i.e. SES-2219[1] becomes SES-2224[1]) | For 24" EIA width, change "19" to "24" in part number. (i.e. SCSQ-3119[1] becomes SCSQ-3124[1]) |
| For 30" EIA width, change "19" to "30" in part number. (i.e. SFRS-252419 becomes SFRS-252430) *Contact the factory for 30" EIA Width's | Part number valid for 30" EIA width. | For 30" EIA width, change "19" to "30" in part number. (i.e. SES-2219[1] becomes SES-2230[1]) | For 30" EIA width, change "19" to "30" in part number. (i.e. SCSQ-3119[1] becomes SCSQ-3130[1]) |

Ordering Guide - Vertical and Slope Front Frames

| Frame Options | Drawers | | |
|---------------|---|--|---|
| | Non-Locking Drawers | Locking Drawers | Drawer with Lid |
| | <p>[R] Block Indicate: [18] = 17.250" A Rail to Rail Setting [22] = 20.750" B Rail to Rail Setting [25] = 24.250" C Rail to Rail Setting [30] = 29.500" D Rail to Rail Setting</p> <p>[1] Block Indicate: [03] = 3.50" Drawer Front [05] = 5.25" Drawer Front [07] = 7.00" Drawer Front [08] = 8.75" Drawer Front [10] = 10.50" Drawer Front [14] = 14.00" Drawer Front</p> | <p>[R] Block Indicate: [18] = 17.250" A Rail to Rail Setting [22] = 20.750" B Rail to Rail Setting [25] = 24.250" C Rail to Rail Setting [30] = 29.500" D Rail to Rail Setting</p> <p>[1] Block Indicate: [05] = 5.25" Drawer Front [07] = 7.00" Drawer Front [08] = 8.75" Drawer Front [10] = 10.50" Drawer Front [14] = 14.00" Drawer Front</p> | <p>[R] Block Indicate: [18] = 17.250" A Rail to Rail Setting [22] = 20.750" B Rail to Rail Setting [25] = 24.250" C Rail to Rail Setting [30] = 29.500" D Rail to Rail Setting</p> <p>Note: Laminate color must be selected.</p> |

Vertical Frames

12U 16U 20U 23U 25U 30U 35U 40U 45U

| | | | |
|------------|---------------|------------------|------------|
| SFR-182119 | SDRQ-[R][1]19 | SDRQ-[R][1]19-LK | SRSQ-[R]19 |
| SFR-222119 | SDRQ-[R][1]19 | SDRQ-[R][1]19-LK | SRSQ-[R]19 |
| SFR-252119 | SDRQ-[R][1]19 | SDRQ-[R][1]19-LK | SRSQ-[R]19 |
| SFR-302119 | SDRQ-[R][1]19 | SDRQ-[R][1]19-LK | SRSQ-[R]19 |
| SFR-182819 | SDRQ-[R][1]19 | SDRQ-[R][1]19-LK | SRSQ-[R]19 |
| SFR-222819 | SDRQ-[R][1]19 | SDRQ-[R][1]19-LK | SRSQ-[R]19 |
| SFR-252819 | SDRQ-[R][1]19 | SDRQ-[R][1]19-LK | SRSQ-[R]19 |
| SFR-302819 | SDRQ-[R][1]19 | SDRQ-[R][1]19-LK | SRSQ-[R]19 |
| SFR-223519 | SDRQ-[R][1]19 | SDRQ-[R][1]19-LK | SRSQ-[R]19 |
| SFR-253519 | SDRQ-[R][1]19 | SDRQ-[R][1]19-LK | SRSQ-[R]19 |
| SFR-224019 | SDRQ-[R][1]19 | SDRQ-[R][1]19-LK | SRSQ-[R]19 |
| SFR-254019 | SDRQ-[R][1]19 | SDRQ-[R][1]19-LK | SRSQ-[R]19 |
| SFR-224319 | SDRQ-[R][1]19 | SDRQ-[R][1]19-LK | SRSQ-[R]19 |
| SFR-254319 | SDRQ-[R][1]19 | SDRQ-[R][1]19-LK | SRSQ-[R]19 |
| SFR-304319 | SDRQ-[R][1]19 | SDRQ-[R][1]19-LK | SRSQ-[R]19 |
| SFR-225219 | SDRQ-[R][1]19 | SDRQ-[R][1]19-LK | SRSQ-[R]19 |
| SFR-255219 | SDRQ-[R][1]19 | SDRQ-[R][1]19-LK | SRSQ-[R]19 |
| SFR-305219 | SDRQ-[R][1]19 | SDRQ-[R][1]19-LK | SRSQ-[R]19 |
| SFR-226119 | SDRQ-[R][1]19 | SDRQ-[R][1]19-LK | SRSQ-[R]19 |
| SFR-256119 | SDRQ-[R][1]19 | SDRQ-[R][1]19-LK | SRSQ-[R]19 |
| SFR-306119 | SDRQ-[R][1]19 | SDRQ-[R][1]19-LK | SRSQ-[R]19 |
| SFR-227019 | SDRQ-[R][1]19 | SDRQ-[R][1]19-LK | SRSQ-[R]19 |
| SFR-257019 | SDRQ-[R][1]19 | SDRQ-[R][1]19-LK | SRSQ-[R]19 |
| SFR-307019 | SDRQ-[R][1]19 | SDRQ-[R][1]19-LK | SRSQ-[R]19 |
| SFR-227819 | SDRQ-[R][1]19 | SDRQ-[R][1]19-LK | SRSQ-[R]19 |
| SFR-257819 | SDRQ-[R][1]19 | SDRQ-[R][1]19-LK | SRSQ-[R]19 |
| SFR-307819 | SDRQ-[R][1]19 | SDRQ-[R][1]19-LK | SRSQ-[R]19 |

Vertical Frames - Work Surface Provisions
 12U "Desk Height" 16U "Counter Height"

| | | | |
|---------------|---------------|------------------|------------|
| SFR-182119-WT | SDRQ-[R][1]19 | SDRQ-[R][1]19-LK | SRSQ-[R]19 |
| SFR-222119-WT | SDRQ-[R][1]19 | SDRQ-[R][1]19-LK | SRSQ-[R]19 |
| SFR-252119-WT | SDRQ-[R][1]19 | SDRQ-[R][1]19-LK | SRSQ-[R]19 |
| SFR-302119-WT | SDRQ-[R][1]19 | SDRQ-[R][1]19-LK | SRSQ-[R]19 |
| SFR-182819-WT | SDRQ-[R][1]19 | SDRQ-[R][1]19-LK | SRSQ-[R]19 |
| SFR-222819-WT | SDRQ-[R][1]19 | SDRQ-[R][1]19-LK | SRSQ-[R]19 |
| SFR-252819-WT | SDRQ-[R][1]19 | SDRQ-[R][1]19-LK | SRSQ-[R]19 |
| SFR-302819-WT | SDRQ-[R][1]19 | SDRQ-[R][1]19-LK | SRSQ-[R]19 |

Slope Front Frames

6U 10U 14U Slope Openings

| | | | |
|--------------|---------------|------------------|------------|
| SFRS-221019* | SDRQ-[R][1]19 | SDRQ-[R][1]19-LK | SRSQ-[R]19 |
| SFRS-251019* | SDRQ-[R][1]19 | SDRQ-[R][1]19-LK | SRSQ-[R]19 |
| SFRS-221719 | SDRQ-[R][1]19 | SDRQ-[R][1]19-LK | SRSQ-[R]19 |
| SFRS-251719 | SDRQ-[R][1]19 | SDRQ-[R][1]19-LK | SRSQ-[R]19 |
| SFRS-301719* | SDRQ-[R][1]19 | SDRQ-[R][1]19-LK | SRSQ-[R]19 |
| SFRS-222419 | SDRQ-[R][1]19 | SDRQ-[R][1]19-LK | SRSQ-[R]19 |
| SFRS-252419 | SDRQ-[R][1]19 | SDRQ-[R][1]19-LK | SRSQ-[R]19 |
| SFRS-302419* | SDRQ-[R][1]19 | SDRQ-[R][1]19-LK | SRSQ-[R]19 |

For 24" EIA width, change "19" to "24" in part number.
 (i.e. SFRS-252419 becomes SFRS-252424)

For 24" EIA width, change "19" to "24" in part number.
 (i.e. SDRQ-25[1]19 becomes SDRQ-25[1]24)

For 24" EIA width, change "19" to "24" in part number.
 (i.e. SDRQ-25[1]19-LK becomes SDRQ-25[1]24-LK)

For 24" EIA width, change "19" to "24" in part number.
 (i.e. SRSQ-2219 becomes SRSQ-2224)

For 30" EIA width, change "19" to "30" in part number.
 (i.e. SFRS-252419 becomes SFRS-252430)
 *Contact the factory for 30" EIA Width's

For 30" EIA width, change "19" to "30" in part number.
 (i.e. SDRQ-25[1]19 becomes SDRQ-25[1]30)

For 30" EIA width, change "19" to "30" in part number.
 (i.e. SDRQ-25[1]19-LK becomes SDRQ-25[1]30-LK)

For 30" EIA width, change "19" to "30" in part number.
 (i.e. SRSQ-2219 becomes SRSQ-2230)

Ordering Guide - Instrument Frames

| Instrument Frame Options | Side Options | | Front and Rear Options | | Top and Bottom Options | |
|--|---|--|---|--|---|--|
| | Panels | | Panels | | Panels | |
| | [1] Block Indicate: [blank] = Solid [-V] = Vented [-H] = Handle | | [1] Block Indicate: [blank] = Solid [-V] = Vented [-PA] = Perforated [-LV] = Louvered [-F] = Laminate | | [1] Block Indicate: [blank] = Solid [-V] = Vented [-PA] = Perforated [-LV] = Louvered [-F] = Laminate | |
| | Left or Right | | | | | |
| SFRI-161019 | SSPI-1610[1] | | XPN-1019[1] | | XPN-1219[1] | |
| SFRI-161719 | SSPI-1617[1] | | XPN-1719[1] | | XPN-1219[1] | |
| SFRI-162119 | SSPI-1621[1] | | XPN-2119[1] | | XPN-1219[1] | |
| SFRI-181019 | SSPI-1810[1] | | XPN-1019[1] | | XPN-1419[1] | |
| SFRI-181719 | SSPI-1817[1] | | XPN-1719[1] | | XPN-1419[1] | |
| SFRI-182119 | SSPI-1821[1] | | XPN-2119[1] | | XPN-1419[1] | |
| SFRI-211019* | SSPI-2110[1] | | XPN-1019[1] | | XPN-1719[1] | |
| SFRI-211719* | SSPI-2117[1] | | XPN-1719[1] | | XPN-1719[1] | |
| SFRI-212119* | SSPI-2121[1] | | XPN-2119[1] | | XPN-1719[1] | |
| SFRI-241019* | SSPI-2410[1] | | XPN-1019[1] | | XPN-1919[1] | |
| SFRI-241719* | SSPI-2417[1] | | XPN-1719[1] | | XPN-1919[1] | |
| SFRI-242119* | SSPI-2421[1] | | XPN-2119[1] | | XPN-1919[1] | |
| For 24" EIA width, change "19" to "24" in part number. (i.e. SFRI-181019 becomes SFRI-181024) *Contact the factory for 24" EIA Width's | Part number valid for 24" EIA width. | | For 24" EIA width, change "19" to "24" in part number. (i.e. XPN-1019[1] becomes XPN-1024[1]) | | For 24" EIA width, change "19" to "24" in part number. (i.e. XPN-1419[1] becomes XPN-1424[1]) | |
| For 30" EIA width, change "19" to "30" in part number. (i.e. SFRI-181019 becomes SFRI-181030) *Contact the factory for 30" EIA Width's | Part number valid for 30" EIA width. | | For 30" EIA width, change "19" to "30" in part number. (i.e. XPN-1019[1] becomes XPN-1030[1]) | | For 30" EIA width, change "19" to "30" in part number. (i.e. XPN-1419[1] becomes XPN-1430[1]) | |

| Instrument Frame Options | Use with these Frames | |
|--|--|--|
| | Slope Frame | Riser Frame |
| SFRI-161019 | SFRS-252419 | SFRR-1619 |
| SFRI-161719 | SFRS-252419 | SFRR-1619 |
| SFRI-162119 | SFRS-252419 | SFRR-1619 |
| SFRI-181019 | SFRS-251719 | SFRR-1819 |
| SFRI-181719 | SFRS-251719 | SFRR-1819 |
| SFRI-182119 | SFRS-251719 | SFRR-1819 |
| SFRI-211019* | SFRS-302419* | SFRR-2119* |
| SFRI-211719* | SFRS-302419* | SFRR-2119* |
| SFRI-212119* | SFRS-302419* | SFRR-2119* |
| SFRI-241019* | SFRS-301719* | SFRR-2419* |
| SFRI-241719* | SFRS-301719* | SFRR-2419* |
| SFRI-242119* | SFRS-301719* | SFRR-2419* |
| For 24" EIA width, change "19" to "24" in part number. (i.e. SFRI-181019 becomes SFRI-181024) *Contact the factory for 24" EIA Width's | For 24" EIA width, change "19" to "24" in part number. (i.e. SFRS-251719 becomes SFRS-251724) *Contact the factory for 24" EIA Width's | For 24" EIA width, change "19" to "24" in part number. (i.e. SFRR-1819 becomes SFRR-1824) *Contact the factory for 24" EIA Width's |
| For 30" EIA width, change "19" to "30" in part number. (i.e. SFRI-181019 becomes SFRI-181030) *Contact the factory for 30" EIA Width's | For 30" EIA width, change "19" to "30" in part number. (i.e. SFRS-251719 becomes SFRS-251730) *Contact the factory for 30" EIA Width's | For 30" EIA width, change "19" to "30" in part number. (i.e. SFRR-1819 becomes SFRR-1830) *Contact the factory for 30" EIA Width's |

| Riser Frame Options | Side Options |
|---------------------|--|
| Panels | |
| | <p>[1] Block Indicate: [-LH] = Left Side Panel [-RH] = Right Side Panel</p> |
| | Left or Right |
| SFRR-1619 | SSPR-16 [1] |
| SFRR-1819 | SSPR-18 [1] |
| SFRR-2119* | SSPR-21 [1] |
| SFRR-2419* | SSPR-24 [1] |

For 24" EIA width, change "19" to "24" in part number.
 (i.e. SFRR-1819 becomes SFRR-1824)
 *Contact the factory for 24" EIA Width's

Part number valid for 24" EIA width.

For 30" EIA width, change "19" to "30" in part number.
 (i.e. SFRR-1819 becomes SFRR-1830)
 *Contact the factory for 30" EIA Width's

Part number valid for 30" EIA width.

Emcor Product Portfolio

Emcor® Enclosures

This standard product lineup includes a range of vertical racks and cabinets, which can be configured or modified with numerous accessories and sizes to meet your diverse needs.



ESQ®



G-Series®



10 Series®



Data Center

Emcor® Consoles

This standard product lineup includes a range of monitoring and control consoles, which can be configured and modified in countless modular configurations.



FP1



FP2



ESQ®



Air Traffic Control

Custom Products

For those needs that fall outside of Crenlo's standard Emcor products, we can build completely custom solutions to meet the needs of any customer.



Inverter Enclosure



Kiosk



NEMA



Package Drop Box

Ordering Guide - Turrets

| 35°/55° Turret Options | Side Options | Front Slope Opening Options | Rear Slope Opening Options | Bottom* Options |
|--|---|--|--|---|
| | Panels | Panels | Panels | Panels |
| | [1] Block Indicate: [-LH] = Left Side Panel [-RH] = Right Side Panel | [1] Block Indicate: [blank] = Solid [-PA] = Perforated [-LV] = Louvered [-F] = Laminate | [1] Block Indicate: [blank] = Solid [-PA] = Perforated [-LV] = Louvered [-F] = Laminate | *Unique Size Panels - In designing the 35°/55° turrets it was necessary to have an off-increment panel opening. Special panels have been created to mount in these areas. |
| | Left or Right | | | |
| SFR-54A | SSP-54A[1] | XPN-1019[1] | XPN-0719[1] | BPN-54A |
| SFR-55A | SSP-55A[1] | XPN-1419[1] | XPN-0819[1] | BPN-55A |
| For 24" EIA width, add a 2 before 54A or 55A (i.e. SFR-55A becomes SFR-255A) | Part number valid for 24" EIA width. | For 24" EIA width, change "19" to "24." (i.e. XPN-1019[1] becomes XPN-1024[1]) | For 24" EIA width, change "19" to "24." (i.e. XPN-0819[1] becomes XPN-0824[1]) | For 24" EIA width, use part number BPN-54A-24 or BPN-55A-24 |
| For 30" EIA width, add a 4 before 54A or 55A (i.e. SFR-55A becomes SFR-455A) | Part number valid for 30" EIA width. | For 30" EIA width, change "19" to "30." (i.e. XPN-1019[1] becomes XPN-1030[1]) | For 30" EIA width, change "19" to "30." (i.e. XPN-0819[1] becomes XPN-0830[1]) | For 30" EIA width, use part number BPN-54A-30 or BPN-55A-30 |

| 55°/35° Turret Options | Side Options | Front Slope Opening Options | Rear Slope* Opening Options | Bottom* Options |
|---|---|--|--|--|
| | Panels | Panels | Panels | Panels |
| | [1] Block Indicate: [-LH] = Left Side Panel [-RH] = Right Side Panel | [1] Block Indicate: [blank] = Solid [-PA] = Perforated [-LV] = Louvered [-F] = Laminate | [1] Block Indicate: [blank] = Solid [-LV] = Louvered *Unique Size Panels - In designing the 55°/35° turrets it was necessary to have an off-increment panel opening. Special panels have been created to mount in these areas. | [1] Block Indicate: [blank] = Solid [-LV] = Louvered *Unique Size Panels - In designing the 55°/35° turrets it was necessary to have an off-increment panel opening. Special panels have been created to mount in these areas. |
| | Left or Right | | | |
| SFR-56A | SSP-56A[1] | XPN-1719[1] | PN-1556A[1] | PN-1056A[1] |
| For 24" EIA width, add a 2 before 56A (i.e. SFR-56A becomes SFR-256A) | Part number valid for 24" EIA width. | For 24" EIA width, change "19" to "24." (i.e. XPN-1719[1] becomes XPN-1724[1]) | For 24" EIA width use part number PN-1556A[1]-24 | For 24" EIA width use part number PN-1056A[1]-24 |
| For 30" EIA width, add a 4 before 56A (i.e. SFR-56A becomes SFR-456A) | Part number valid for 30" EIA width. | For 30" EIA width, change "19" to "30." (i.e. XPN-1719[1] becomes XPN-1730[1]) | For 30" EIA width use part number PN-1556A[1]-30 | For 30" EIA width use part number PN-1056A[1]-30 |

Ordering Guide - Turrets

| 20° 25° 35° Turret Options | Side Options | Front Slope Opening Options | Rear Slope Opening Options |
|--|---|--|--|
| | Panels | Panels | Panels |
| | [1] Block Indicate: [-LH] = Left Side Panel [-RH] = Right Side Panel | [1] Block Indicate: [blank] = Solid [-PA] = Perforated [-LV] = Louvered [-F] = Laminate | [1] Block Indicate: [blank] = Solid [-PA] = Perforated [-LV] = Louvered [-F] = Laminate |
| | Left or Right | | |
| SFRT-2219-20 | SPT-22-20[1] | XPN-1719 | XPN-0519 |
| SFRT-2519-20 | SPT-25-20[1] | XPN-1919 | XPN-0719 |
| SFRT-3019-20 | SPT-30-20[1] | XPN-2419 | XPN-0819 |
| SFRT-2219-25 | SPT-22-25[1] | XPN-1519 | XPN-0719 |
| SFRT-2519-25 | SPT-25-25[1] | XPN-1919 | XPN-0819 |
| SFRT-3019-25 | SPT-30-25[1] | XPN-2419 | XPN-1019 |
| SFRT-2219-35 | SPT-22-35[1] | XPN-1419 | XPN-1019 |
| SFRT-2519-35 | SPT-25-35[1] | XPN-1719 | XPN-1219 |
| SFRT-3019-35 | SPT-30-35[1] | XPN-2119 | XPN-1419 |
| For 24" EIA width, change "19" to "24" in part number. (i.e. SFRT-2519-25 becomes SFRT-2524-25) | Part number valid for 24" EIA width. | For 24" EIA width, change "19" to "24" in part number. (i.e. XPN-1919 becomes XPN-1924) | For 24" EIA width, change "19" to "24" in part number. (i.e. XPN-1019 becomes XPN-1924) |
| For 30" EIA width, change "19" to "30" in part number. (i.e. SFRT-2519-25 becomes SFRT-2530-25) | Part number valid for 30" EIA width. | For 30" EIA width, change "19" to "30" in part number. (i.e. XPN-1919 becomes XPN-1930) | For 30" EIA width, change "19" to "30" in part number. (i.e. XPN-1019 becomes XPN-1930) |

| 19° Turret Options | Side Options | Front Slope Opening Options |
|---|---|--|
| | Panels | Panels |
| | [1] Block Indicate: [-LH] = Left Side Panel [-RH] = Right Side Panel | [1] Block Indicate: [blank] = Solid [-PA] = Perforated [-LV] = Louvered [-F] = Laminate |
| | Left or Right | |
| SFR-57A | SSP-57A[1] | XPN-1419[1] |
| SFR-58A | SSP-58A[1] | XPN-2119[1] |
| For 24" EIA width, add a 2 before 57A or 58A (i.e. SFR-58A becomes SFR-258A) | Part number valid for 24" EIA width. | For 24" EIA width, change "19" to "24" in part number. (i.e. XPN-2119[1] becomes XPN-2124[1]) |
| For 30" EIA width, add a 4 before 57A or 58A (i.e. SFR-58A becomes SFR-458A) | Part number valid for 30" EIA width. | For 30" EIA width, change "19" to "30" in part number. (i.e. XPN-2119[1] becomes XPN-2130[1]) |

Table of Contents

- **Overview** 3
- **Frames** 4-16
 - Vertical Frames
 - Slope Front Frames
 - Frames with Built in Work Surface Provisions
- **Base/Casters** 17-21
 - Single Wheel Casters
 - Dual Wheel Casters
 - Riser (pontoon base)
 - Anti-Tip Bases
- **Wedges/Turrets/Instrument Frames** 22-29
 - 30° & 45° Wedges
 - 19°, 35°, 55°, Vertical Face Turrets
 - 20°, 25°, 35° Horizontal Face Turrets
 - 6U, 10U, 12U Instrument Frames
- **Mounting Rails** 30-31
 - Thru-hole (.281 diameter) on both faces
 - Tapped (#10-32) on both faces
 - Thru-hole on one face & Tapped on one face
 - Mounting Straps
 - Adapter Brackets (reduce portions of the panel width)
 - Adapter Kits (reduce the entire panel width)
- **Power** 32
 - Basic
 - Monitored
 - Metered
 - Switched
 - Environmental Control
- **Grounding** 33
 - Bus Bar (entire vertical opening)
 - Bus Plate (specific locations)
- **Cable Management** 34-37
 - Vertical Lacing Panels
 - Vertical Cable Organizer with Finger Duct
 - Horizontal Cable organizer with D-Rings
 - Din Rail
 - Horizontal Lacing Bars/Panels
 - Cable Trough
 - Overhead Cable Trays
 - Cable Pass Through Panels
 - Cable Ties / Velcro
- **Lighting** 38-39
 - Rack Lights
 - Lampsets
 - Task Lighting
- **Shelves/Drawers** 40-52
 - Sliding Shelves
 - Fixed Shelves
 - Monitor Shelves
 - Work Surface Drawers
 - Retractable Keyboard Tray
 - Chassis Guides
 - Equipment Drawers
- **Work Surfaces** 53-55
 - Radius Edge
 - T-Edge
 - Bull Nose Edge
 - Oak Edge
 - Steel Framed
- **Airflow Management** 56-57
 - Blowers
 - Fan Trays
 - Vent Grill
 - Vent Panel
 - Filters and Other Accessories
- **Panels** 58-65
 - Top Panels
 - Bottom Panels
 - Dual Fan Panels
 - Cable Pass Through Panels
 - Formed Steel Filler Panels
 - Plexiglas® Panels
 - Flat Aluminum Filler Panels
 - Laminate Filler Panels
 - Name Plates
- **Doors** 66-71
 - Flush Mount
 - Surface Mount
 - Aluminum Framed Surface Mount
 - Contour Style Surface Mount
- **Side Panels** 72-73
 - Inside Removable Solid
 - Inside Removable Louvered
 - Inside Removable Flat
 - Outside Removable Solid
- **Hardware** 74-75
- **Ordering Guide** 76-87

Rack Units (U) / Inches Conversion Table

| Rack Units | Inches |
|------------|--------|
| 49 U | 85.75" |
| 46 U | 80.50" |
| 45 U | 78.75" |
| 44 U | 77.00" |
| 43 U | 75.25" |
| 42 U | 73.50" |
| 41 U | 71.75" |
| 40 U | 70.00" |
| 39 U | 68.25" |
| 38 U | 66.50" |
| 37 U | 64.75" |
| 36 U | 63.00" |
| 35 U | 61.25" |
| 34 U | 59.50" |
| 33 U | 57.75" |
| 32 U | 56.00" |
| 31 U | 54.25" |
| 30 U | 52.50" |
| 29 U | 50.75" |
| 28 U | 49.00" |
| 27 U | 47.25" |
| 26 U | 45.50" |
| 25 U | 43.75" |
| 24 U | 42.00" |
| 23 U | 40.25" |
| 22 U | 38.50" |
| 21 U | 36.75" |
| 20 U | 35.00" |
| 19 U | 33.25" |
| 18 U | 31.50" |
| 17 U | 29.75" |
| 16 U | 28.00" |
| 15 U | 26.25" |
| 14 U | 24.50" |
| 13 U | 22.75" |
| 12 U | 21.00" |
| 11 U | 19.25" |
| 10 U | 17.50" |
| 9 U | 15.75" |
| 8 U | 14.00" |
| 7 U | 12.25" |
| 6 U | 10.50" |
| 5 U | 8.75" |
| 4 U | 7.00" |
| 3 U | 5.25" |
| 2 U | 3.50" |
| 1 U | 1.75" |

